



# UNDERBAR REFRIGERATORS NOMENCLATURE

**I ( ) ( ) - X - XX - X - M**  
**(1) (2) (3) (4) (5) (6) (7)**

POSITION (1)	POSITION (2)	POSITION (3)
--------------	--------------	--------------

U UNDERBAR	R - REFRIGERATOR F - FREEZER	R - REMOTE S - SELF CONTAINED
------------	---------------------------------	----------------------------------

POSITION (4)	POSITION (5)	POSITION (6)	POSITION(7)
--------------	--------------	--------------	-------------

1 - ONE SECTION	1D - ONE DOOR	( ) OPTIONS	M - CUSTOM
2 - TWO SECTIONS	2D - TWO DOORS		
3 - THREE SECTIONS	3D - THREE DOORS		
4 - FOUR SECTIONS	4D - FOUR DOORS		

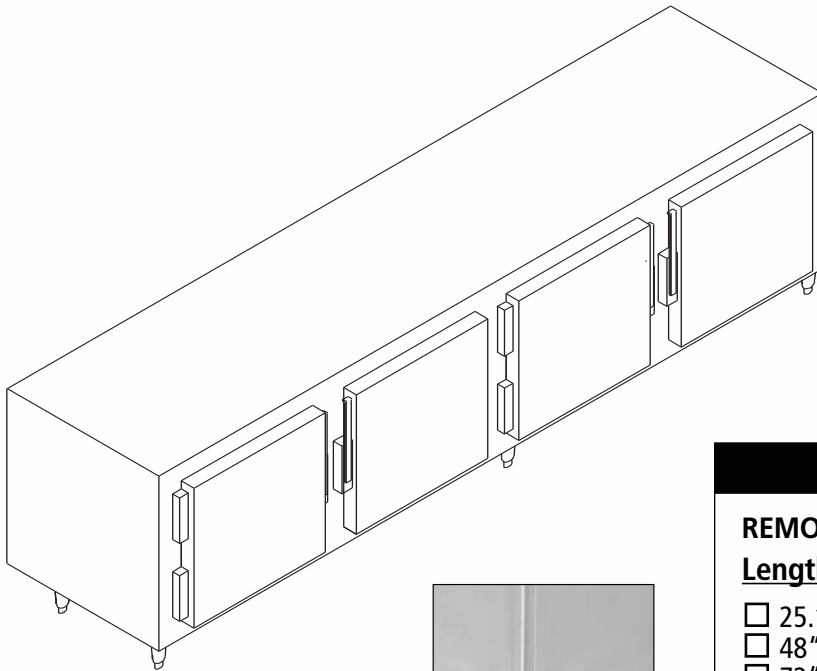


# UNDERBAR REFRIGERATORS

## MODULAR COMPONENTS

PROJECT \_\_\_\_\_

ITEM NO. \_\_\_\_\_



**DETAIL OF RADIUS CORNER AND TANKED BOTTOM**



## MODELS

### REMOTE ALL DOORS

Length	Depth	#Sections	Model
<input type="checkbox"/> 25.1/2"	22"	1	IURR-1-1D
<input type="checkbox"/> 48"	22"	2	IURR-2-2D
<input type="checkbox"/> 72"	22"	3	IURR-3-3D
<input type="checkbox"/> 96"	22"	4	IURR-4-4D

### SELF CONTAINED ALL DOORS

Length	Depth	#Sections	Model
<input type="checkbox"/> 43.1/2"	22"	1	IURS-1-1D
<input type="checkbox"/> 66"	22"	2	IURS-2-2D
<input type="checkbox"/> 90"	22"	3	IURS-3-3D
<input type="checkbox"/> 114"	22"	4	IURS-4-4D

## STANDARD FEATURES

- All Heli-arc welded construction
- All 18 gauge type 304, 18/8 stainless steel interiors and doors
- Polyurethane "shot-in-place" insulation
- Door actuated interior lights
- Compression door gasket (non-magnetic type for longer life)
- Kason edge mount door hardware, extra heavy duty, chrome plated
- Door latch 'Kason'
- Door hinges 'Kason'
- Easy clean with 3/8 radius interior corners
- Heavy duty breaker strip 'foam-locked' in position
- 6" high stainless steel adjustable legs
- Pre-wired internal flexible conduit to a single point connection
- Self closing door hinges

## OPTIONS

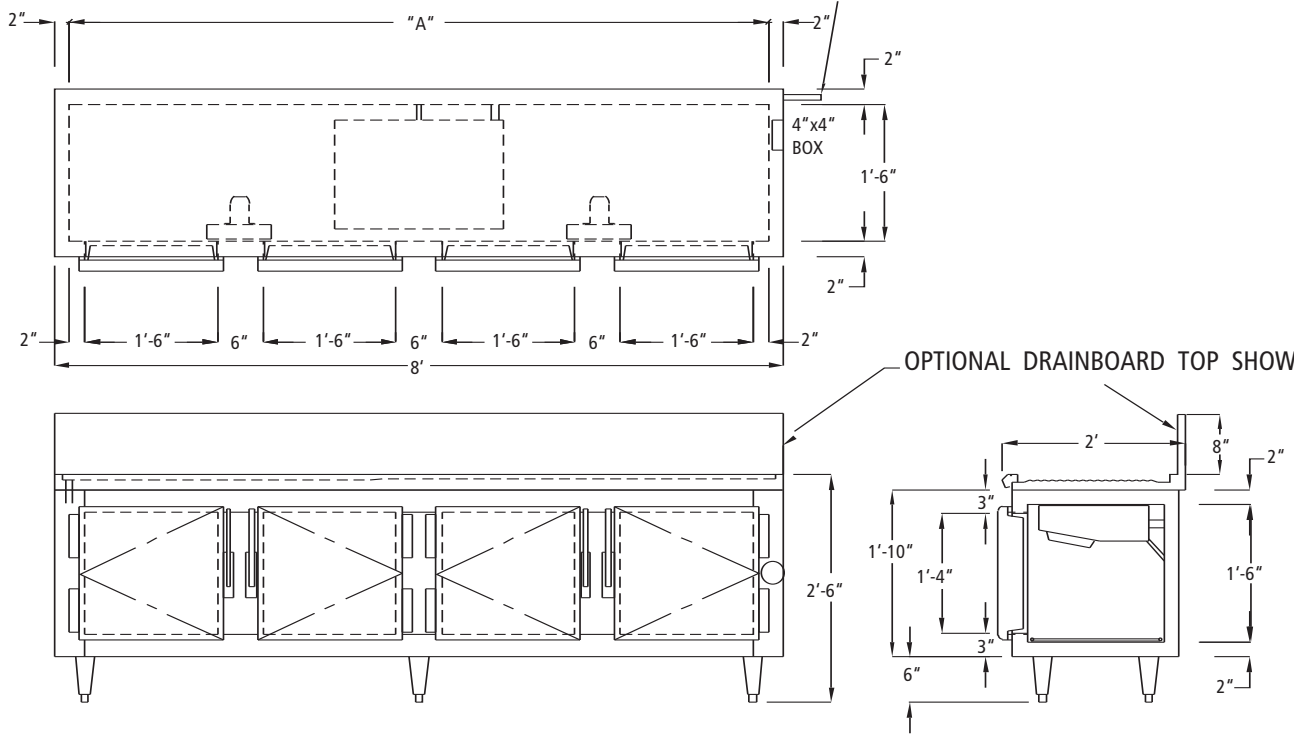
- D Drainboard Top
- F Freezer
- ST Stainless steel top - turn down all round
- SM Stainless steel top - marine all round
- BS 4" high back splash to st/st top
- SS 4" high side splash to st/st top (each)
- DL Door locks
- ET Condensate evaporator tray for remote units
- SSP Stainless steel side panels (each)
- AS All stainless steel
- SSR Stainless steel rear panel
- SWS Stainless steel wire shelves
- CM Curb mount plinth
- CS Casters heavy duty
- SF Stainless steel flange feet
- DT Dual temp
- M Modified / Custom



# UNDERBAR REFRIGERATORS

## MODULAR COMPONENTS

REFRIG. AND  
DRAIN LINE  
STUB-OUTS (right or left side)



### UNDERBAR REFRIGERATORS SELF CONTAINED ALL DOORS

MODEL	DIMENSION 'A'	H.P	VOLTS	AMPS	PHASE	BTU'S	WEIGHT	CUBE
IURS-1-1D	43.1/2"	1/4 HP	115v	8.9	1ph	800	295	24
IURS-2-2D	66"	1/4 HP	115v	9.3	1ph	1000	465	36
IURS-3-3D	90"	1/4 HP	115v	9.3	1ph	1000	605	49
IURS-4-4D	114"	1/3 HP	115v	10.3	1ph	1300	675	61

### UNDERBAR REFRIGERATORS REMOTE UNITS ALL DOORS

MODEL	DIMENSION 'A'	VOLTS	AMPS	PHASE	BTU'S	WEIGHT	CUBE
IURR-1-1D	25.1/2"	115v	1.3	1ph	800	175	15
IURR-2-2D	48"	115v	1.7	1ph	1000	340	27
IURR-3-3D	72"	115v	1.7	1ph	1000	480	39
IURR-4-4D	96"	115v	2.3	1ph	1300	550	52