



SPEED POUR

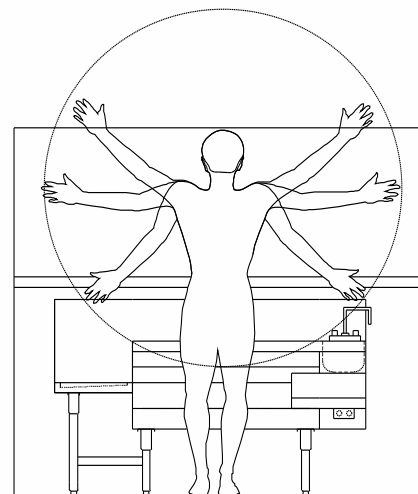
MODULAR COMPONENTS

PROJECT _____

ITEM NO. _____



MODEL ISP-60 SHOWN WITH BLN6 BEVERAGE LINE NOTCH



Concentrates all the essential pouring activity into one compact central area for optimal efficiency.

STANDARD FEATURES

- All Heli-arc welded construction.
- All 18 gauge type 304,18/8 stainless steel
- Heavy duty stainless steel gussets welded to 14 gauge stainless steel channel support
- Stainless steel adjustable bullet feet
- Attractive high polished bullnose edge to front
- Polyurethane 'shot-in-place' insulation
- Separate bottle well are made of hard black plastic and sit in a removable sealed stainless steel pan
- Removable mixer blender shelf
- 12.1/2" Deep ice bin
- 1" x 3" brass drain
- Easy clean bin with 3/8" radius interior corners
- Ice bin divider
- 15" wide drop down glass storage drainboard
- Tray storage shelf below
- Ice melt down spray faucet
- 6" x 9" dump sink with lift out stainless steel strainer
- Premium faucet's with gooseneck spout - deck mounted
- Condiment rail with stainless steel 1/9th. pans
- Hidden electrical outlet

MODELS

Length	Depth	Ice Capacity	Model
<input type="checkbox"/> 36 in29.1/2"65lbsISP-36
<input type="checkbox"/> 48 in29.1/2"86lbsISP-48
<input type="checkbox"/> 60 in29.1/2"130lbsISP-60
<input type="checkbox"/> 72 in29.1/2"173lbsISP-72

WITH 8 CIRCUIT SEALED IN COLD PLATE

Length	Depth	Ice Capacity	Model
<input type="checkbox"/> 36 in29.1/2"65lbsISP-36-P8
<input type="checkbox"/> 48 in29.1/2"86lbsISP-48-P8
<input type="checkbox"/> 60 in29.1/2"130lbsISP-60-P8
<input type="checkbox"/> 72 in29.1/2"173lbsISP-72-P8

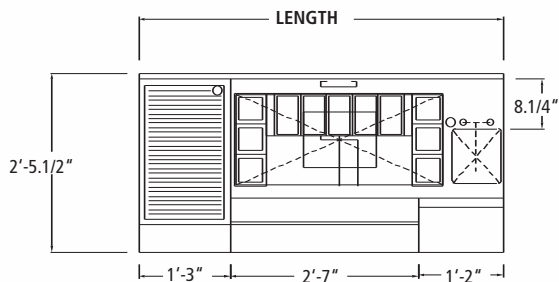
OPTIONS

- SC Removable Sliding Cover to Ice Chest
- LC Locking Cover for Speed Rail
- PB Perforated False Bottom
- BLN6 6" Beverage Line Notch
- BLN24 24" Beverage Liquor Line Notch
- M Modified - Custom
- SBF Special Brand Faucet Available Upon Request

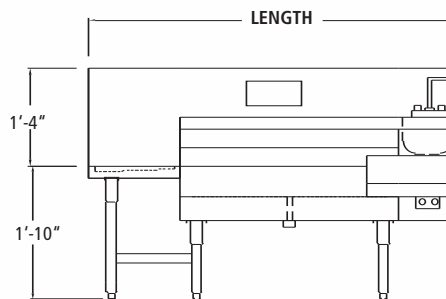


SPEED POUR

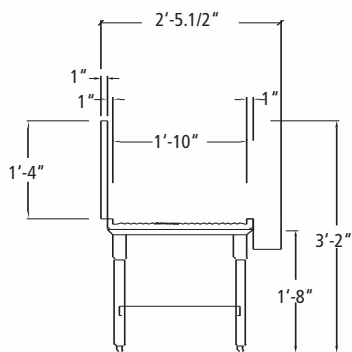
MODULAR COMPONENTS



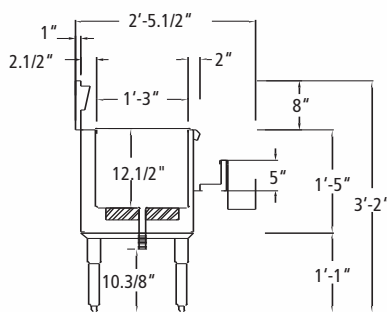
TYPICAL PLAN VIEW



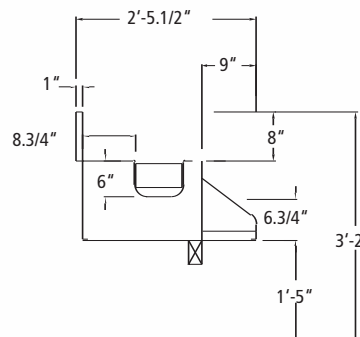
FRONT ELEVATION



SECTION THRU DRAINBOARD



SECTION THRU ICE CHEST



SECTION MIXER BLENDER STATION

SERIES - 29.1/2" DEEP

BOTTLE CAPACITY	STACKED CAPACITY	BLENDER CAPACITY	LENGTH	DEPTH	ICE CAPACITY	MODEL NO.
16	60	1	36"	29.1/2"	65 #	ISP-36
19	100	2	48"	29.1/2"	86 #	ISP-48
25	100	2	60"	29.1/2"	130 #	ISP-60
25	100	2	72"	29.1/2"	173 #	ISP-72

SERIES - 29.1/2" DEEP WITH 8 CIRCUIT COLD PLATE

BOTTLE CAPACITY	STACKED CAPACITY	BLENDER CAPACITY	LENGTH	DEPTH	COLD PLATE CIRCUIT	ICE CAPACITY	MODEL NO.
16	60	1	36"	29.1/2"	8	65 #	ISP-36-P8
19	100	2	48"	29.1/2"	8	86 #	ISP-48-P8
25	100	2	60"	29.1/2"	8	130 #	ISP-60-P8
25	100	2	72"	29.1/2"	8	173 #	ISP-72-P8

UTILITIES

COLD WATER	HOT WATER	SINK DRAIN	ICE BIN DRAIN	ELECTRICAL
1 x 1/2" COLD	1 x 1/2" HOT	1 x 1.1/2"	1 x 1"	2 RECEPTACLE 10 AMPS