

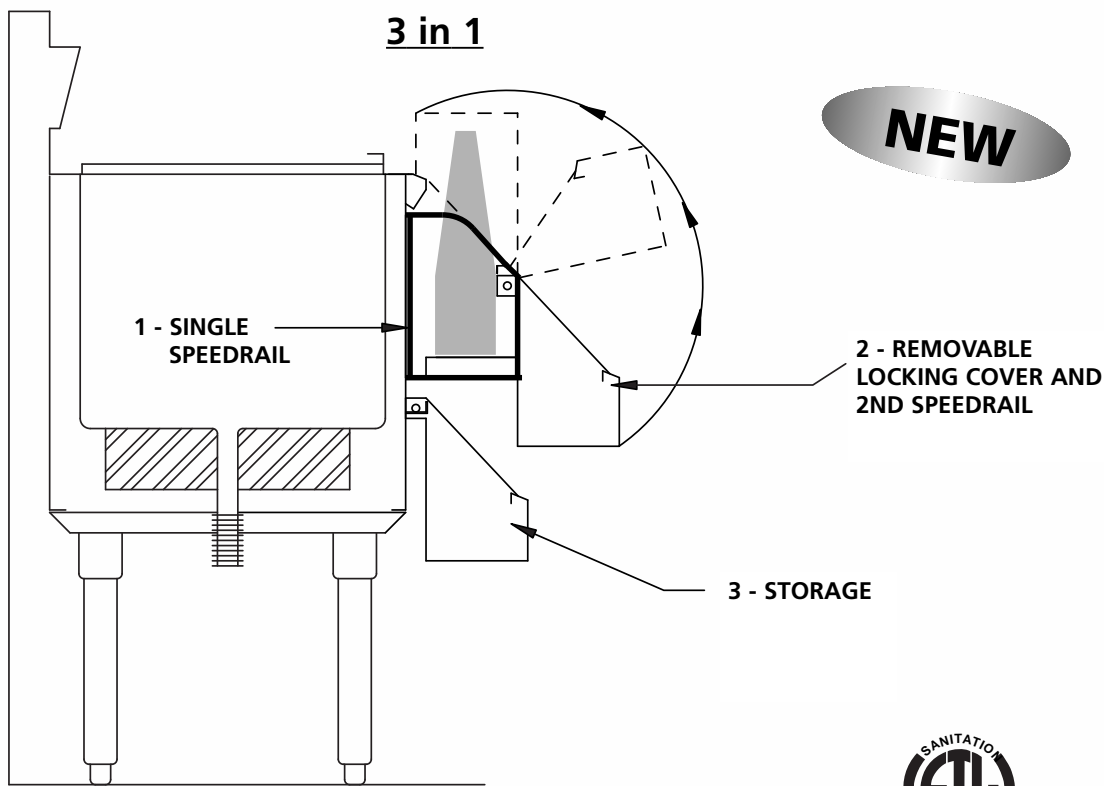


SPEEDLOCK RAIL

MODULAR COMPONENTS

PROJECT _____

ITEM NO. _____



SPECIAL FEATURES

- All Heli-arc welded construction.
- All 18 gauge type 304, 18/8 stainless steel.
- Removable for ease of cleaning.
- Key hold with welded stud mounted on front apron
- Single speed rail
- Locking cover
- Converts to double speedrail or can be stored underneath

MODELS

<u>Length</u>	<u>Bottle Capacity</u>	<u>Model</u>
<input type="checkbox"/> 12 in.....	3	SLR-12
<input type="checkbox"/> 18 in.....	4	SLR-18
<input type="checkbox"/> 24 in.....	6	SLR-24
<input type="checkbox"/> 30 in.....	7	SLR-30
<input type="checkbox"/> 36 in.	9	SLR-36
<input type="checkbox"/> 42 in.	10.....	SLR-42
<input type="checkbox"/> 48 in.	12.....	SLR-48