



SINGLE SINK

MODULAR COMPONENTS

PROJECT _____

ITEM NO. _____



MODEL ISBD-13



STANDARD FEATURES

- All Heli-arc welded construction
- All 18 gauge type 304, 18/8 stainless steel
- Heavy duty stainless steel gussets welded to 14 gauge stainless steel channel supports
- Stainless steel adjustable bullet feet
- Attractive high polished bullnose edge to front
- Sink bowls are 18 gauge type 304, 18/8 stainless steel
- Standard bowl size 10" x 14" x 10" deep with 1.1/2" drain
- Premium faucet with gooseneck spout - deck mounted
- 10" front apron

MODELS

'S' SERIES 20.1/2" DEEP WITH 10" X 14" X 10" BOWL

<u>Length</u>	<u>Model</u>
<input type="checkbox"/> 13"	ISBS-13

'D' SERIES 24" DEEP WITH 10" X 14" X 10" BOWL

<u>Length</u>	<u>Model</u>
<input type="checkbox"/> 13"	ISBD-13

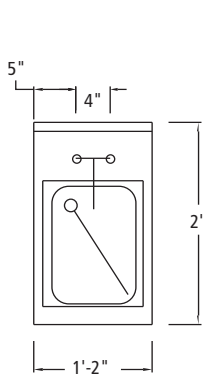
OPTIONS

- TR Towel Rail
- LS Lift Out Strainer Basket for Bowl
- MD Ice Melt Down Spray Faucet
- SD Soap Dispenser
- US Undershef
- M Modified - Custom
- SBF Special Brand Faucet Available Upon Request

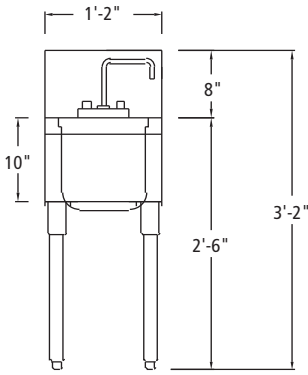


SINGLE SINK

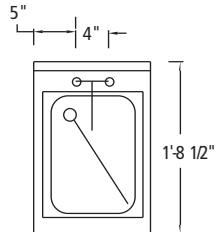
MODULAR COMPONENTS



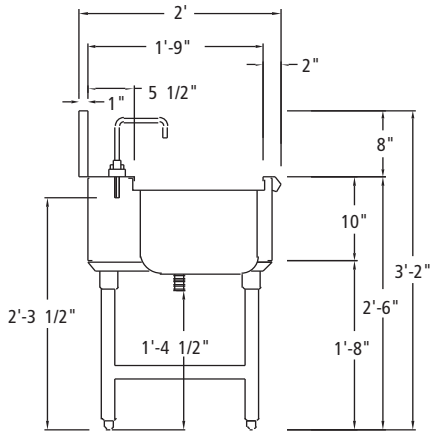
"D" SERIES PLAN



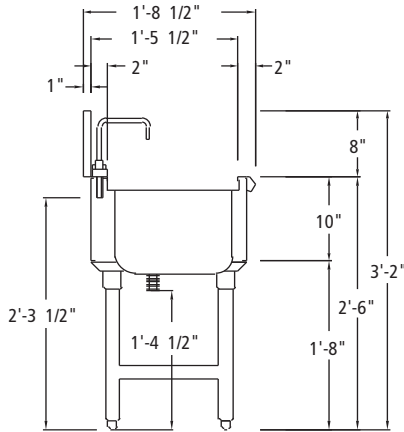
ELEVATION



"S" SERIES PLAN



"D" SERIES SECTION



"S" SERIES SECTION

'S' SERIES 20.1/2" DEEP

LENGTH	BOWL SIZE	MODEL No.	WEIGHT	CUBE
13"	10" X 14" X 10" DEEP	ISBS-13	50	5

'D' SERIES 24" DEEP

LENGTH	BOWL SIZE	MODEL No.	WEIGHT	CUBE
13"	10" X 14" X 10" DEEP	ISBD-13	50	5

UTILITIES

COLD WATER	HOT WATER	DRAIN
1 x 1/2" COLD	1 x 1/2" HOT	1 x 1.1/2"