

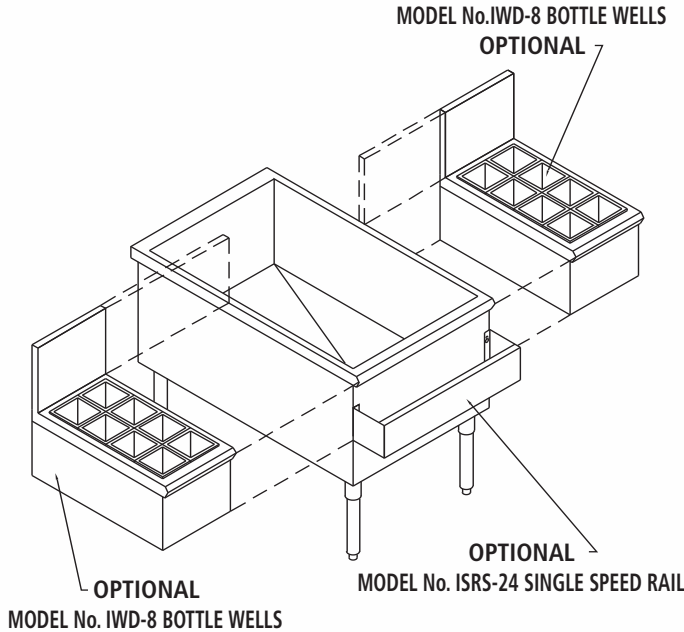


PASS THRU ICE CHEST

MODULAR COMPONENTS

PROJECT _____

ITEM NO. _____



MODEL No. IPIS-D-P8-24 SHOWING OPTIONAL ITEMS

MODELS

TO MATCH UP WITH 'S' SERIES - 36" DEEP, INCLUDING - 8 CIRCUIT SEALED IN COLD PLATE

Length	Ice Capacity	Model
<input type="checkbox"/> 24"153#IPIC-S-P8-24

WITHOUT COLD PLATE

<input type="checkbox"/> 24"153#IPIC-S-24
------------------------------	-----------	----------------

TO MATCH UP WITH 'D' SERIES - 40" DEEP, INCLUDING - 8 CIRCUIT SEALED IN COLD PLATE

Length	Ice Capacity	Model
<input type="checkbox"/> 24"168#IPIC-D-P8-24

WITHOUT COLD PLATE

<input type="checkbox"/> 24"168#IPIC-D-24
------------------------------	-----------	----------------

STANDARD FEATURES

- All Heli-arc welded construction
- All 18 gauge type 304, 18/8 stainless steel
- Stainless steel adjustable bullet feet
- Heavy duty stainless steel gussets welded to 14 gauge stainless steel channel supports
- Attractive high polished bullnose edge to front
- Polyurethane 'shot-in-place' insulation
- 12.1/2" net deep ice bin
- 1" x 3" brass drain
- 3/8" radius interior corners
- Optional Bottle well chest (when ordered) are integrally welded to Ice chest to form one integral unit

OPTIONS

'S' SERIES

- IW3 3 Bottle Well Chest (non insulated)
- IW6 6 Bottle Well Chest (non insulated)

'D' SERIES

- IW4 4 Bottle Well Chest
- IW8 8 Bottle Well Chest

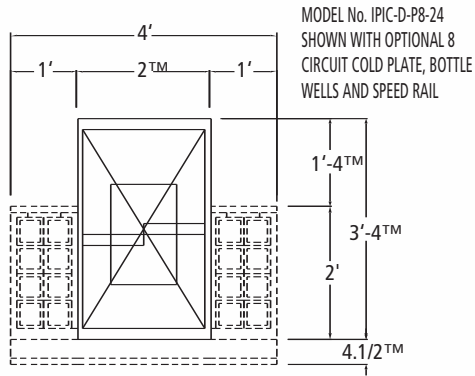
BOTH SERIES

- P10 Sealed in Cold Plate - 10 Circuit
- DD Drop Down Section to Waitress Side
- ID Ice Divider
- CT 5 Cup Condiment Tray
- 18B 18" Deep Ice Chest
- RP Removable Panel
- M Modified - Custom

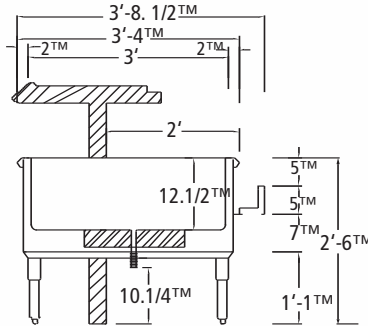


PASS THRU ICE CHEST

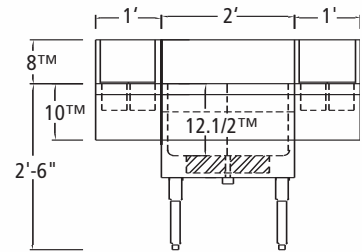
MODULAR COMPONENTS



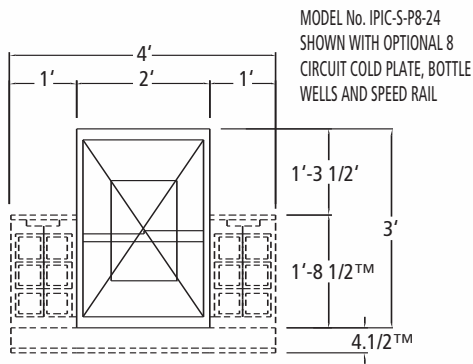
'D' SERIES TYPICAL PLAN



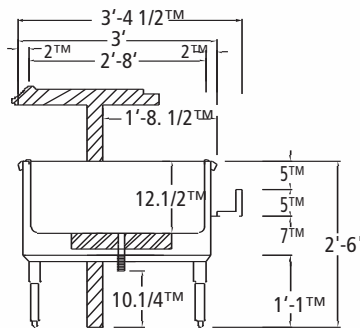
'D' SERIES SECTION



TYPICAL ELEVATION



'S' SERIES TYPICAL PLAN



'S' SERIES SECTION

'S' SERIES 36" DEEP TO MATCH WITH 20.1/2" DEEP UNITS WITH P8 COLD PLATE				
LENGTH	ICE CAPACITY	MODEL No.	WEIGHT	CUBE
24"	153#	IPIC-S-P8-24	250	28

'S' SERIES 36" DEEP TO MATCH WITH 20.1/2" DEEP UNITS WITHOUT COLD PLATE				
LENGTH	ICE CAPACITY	MODEL No.	WEIGHT	CUBE
24"	153#	IPIC-S-24	200	28

'D' SERIES 40" DEEP TO MATCH WITH 24" DEEP UNITS WITH P8 COLD PLATE				
LENGTH	ICE CAPACITY	MODEL No.	WEIGHT	CUBE
24"	168#	IPIC-D-P8-24	260	36

'D' SERIES 40" DEEP TO MATCH WITH 24" DEEP UNITS WITHOUT COLD PLATE				
LENGTH	ICE CAPACITY	MODEL No.	WEIGHT	CUBE
24"	168#	IPIC-D-24	200	36

UTILITIES (8 CIRCUIT)
DRAIN
1/2"

UTILITIES
DRAIN
1 x 1"

UTILITIES (10 CIRCUIT)
DRAIN
3/4"