

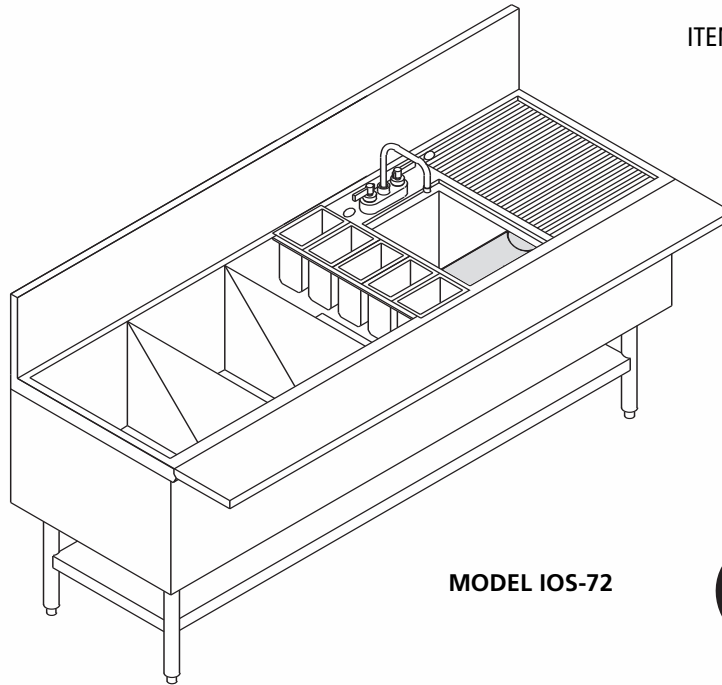


OYSTER STATION

MODULAR COMPONENTS

PROJECT _____

ITEM NO. _____



MODEL IOS-72



STANDARD FEATURES

- All Heli-arc welded construction
- All 18 gauge type 304, 18/8 stainless steel
- Heavy duty stainless steel gussets welded to 14 gauge stainless steel channel supports
- Stainless steel adjustable bullet feet
- Attractive high polished bullnose edge to front
- Polyurethane 'shot-in-place' insulation
- Shucking sink with built in sand trap and removable shell catch insert
- Full length fold down plastic cutting board with heavy duty fold down brackets
- 42" wide ice chest with perforated false bottom
- Two (2) removable ice bin dividers
- 12.1/2" deep ice bin
- 1" x 3" brass drain
- Easy clean bin with 3/8" radius interior corners
- 5 - 1/9th pans for cold condiments
- Premium heavy duty faucet's with gooseneck spout - deck mounted
- Ice melt down faucet

MODELS

OYSTER STATION

Length	Depth	Ice Capacity	Model
<input type="checkbox"/> 60"	32" (with cutting board up)	126#	IOS-60
<input type="checkbox"/> 72"	32" (with cutting board up)	181#	IOS-72

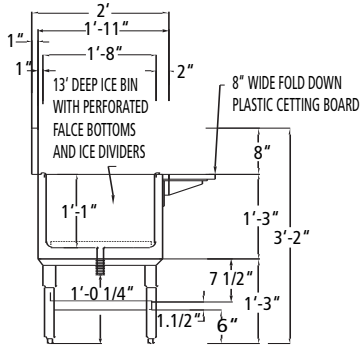
OPTIONS

- TC - Plastic Trash Can
- TR - Towel Ring

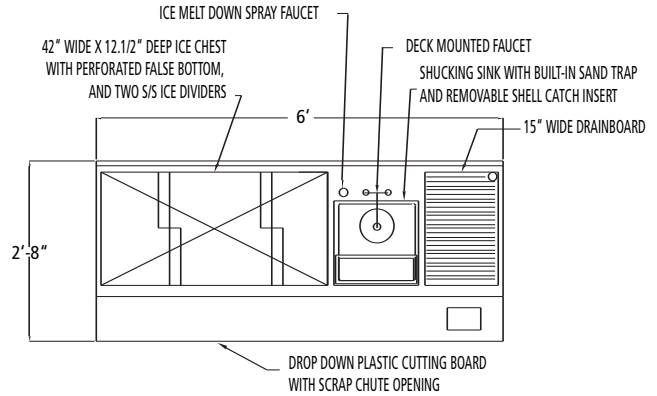


OYSTER STATION

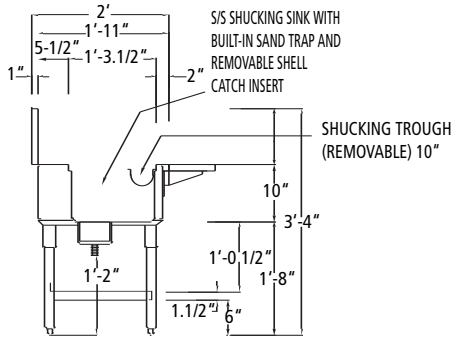
MODULAR COMPONENTS



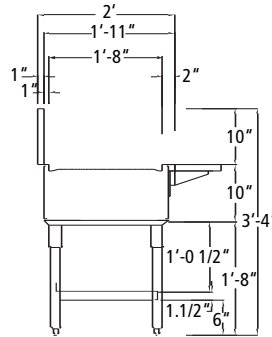
A SECTION



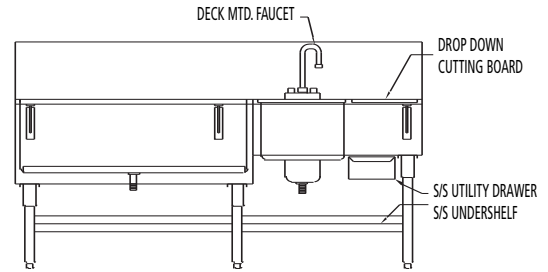
TYPICAL PLAN



B SECTION



C SECTION



TYPICAL ELEVATION

OYSTER STATION 32" DEEP WITH CUTTING BOARD IN THE UP POSITION

LENGTH	ICE CAPACITY	MODEL No.	WEIGHT	CUBE
60	126 lbs.	IOS-60	270	42
72	181 lbs.	IOS-72	270	42

UTILITIES

COLD WATER	HOT WATER	DRAIN	DRAIN
1 x 1/2" COLD	1 x 1/2" HOT	1 x 1.1/2"	2 x 1"