

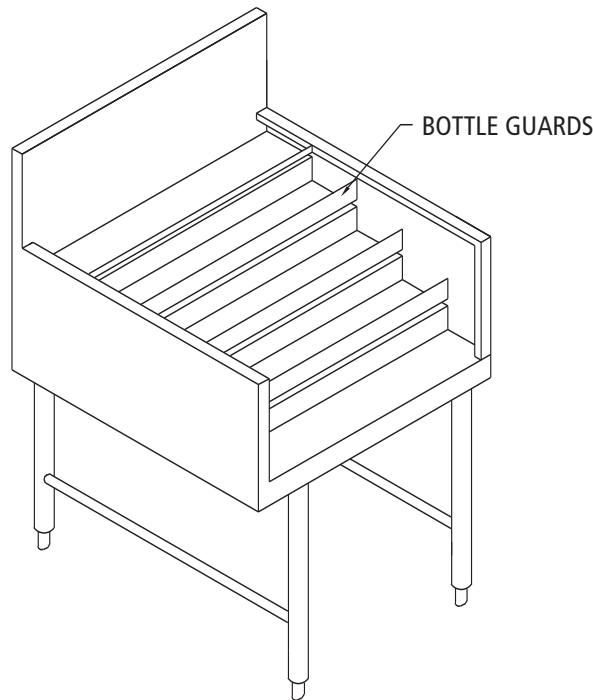


**LIQUOR DISPLAYS**

**MODULAR COMPONENTS**

PROJECT \_\_\_\_\_

ITEM NO. \_\_\_\_\_



MODEL ILTD-24



CONFORMS TO ANSI/NSF STD 2

**STANDARD FEATURES**

- All Heli-arc welded construction
- All 18 gauge type 304, 18/8 stainless steel
- Heavy duty stainless steel gussets welded to 14 gauge stainless steel channel supports
- Stainless steel adjustable bullet feet

**MODELS**

**'D' SERIES 24" DEEP**

<u>Length</u>	<u>Bottle Capacity</u>	<u>Model</u>
<input type="checkbox"/> 18" .....	20 .....	ILTD-18
<input type="checkbox"/> 24" .....	30 .....	ILTD-24
<input type="checkbox"/> 30" .....	40 .....	ILTD-30

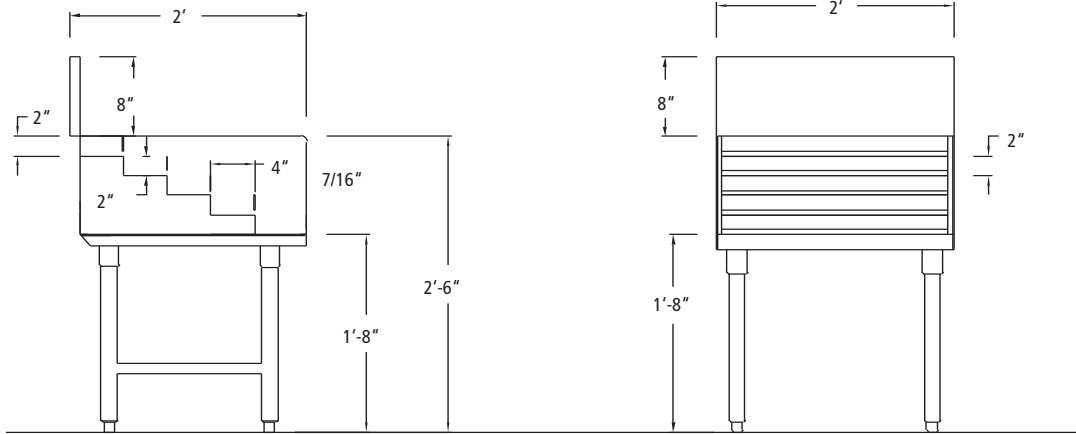
**OPTIONS**

- LC Locking Cover
- M Modified - Custom
- BG Bottle Guards



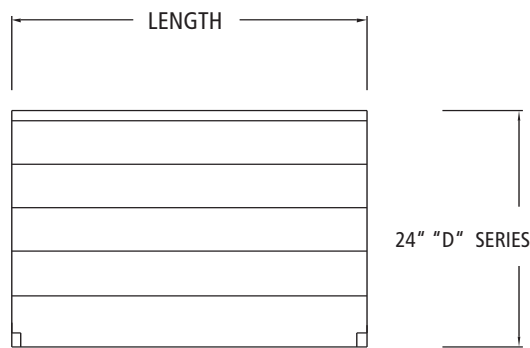
**LIQUOR DISPLAYS**

**MODULAR COMPONENTS**



TYPICAL SECTION

TYPICAL ELEVATION



TYPICAL PLAN

<b>'D' SERIES 24" DEEP</b>				
<b>LENGTH</b>	<b>BOTTLE CAPACITY</b>	<b>MODEL No.</b>	<b>WEIGHT</b>	<b>CUBE</b>
18"	20	ILTD-18	55	8
24"	30	ILTD-24	75	11
30"	35	ILTD-30	90	15