

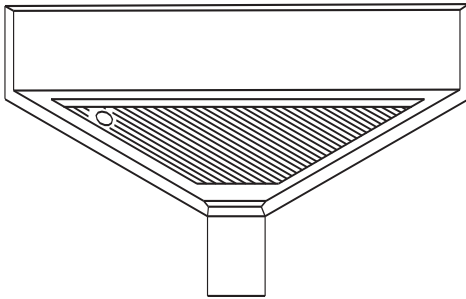


INSIDE CORNER FILLER

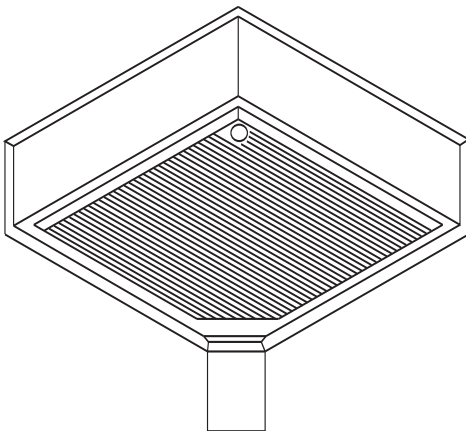
MODULAR COMPONENTS

PROJECT _____

ITEM NO. _____



MODEL IFCI-SM-90



MODEL IFCI-SQ-90

MODELS

'S' SERIES 20.1/2" DEEP

Angle	Cut	Model
<input type="checkbox"/> 15°	Miter	IFCI-SM-15
<input type="checkbox"/> 30°	Miter	IFCI-SM-30
<input type="checkbox"/> 45°	Miter	IFCI-SM-45
<input type="checkbox"/> 60°	Miter	IFCI-SM-60
<input type="checkbox"/> 75°	Miter	IFCI-SM-75
<input type="checkbox"/> 90°	Miter	IFCI-SM-90
<input type="checkbox"/> 90°	Square	IFCI-SQ-90

'D' SERIES 24" DEEP

Angle	Cut	Model
<input type="checkbox"/> 15°	Miter	IFCI-DM-15
<input type="checkbox"/> 30°	Miter	IFCI-DM-30
<input type="checkbox"/> 45°	Miter	IFCI-DM-45
<input type="checkbox"/> 60°	Miter	IFCI-DM-60
<input type="checkbox"/> 75°	Miter	IFCI-DM-75
<input type="checkbox"/> 90°	Miter	IFCI-DM-90
<input type="checkbox"/> 90°	Square	IFCI-DQ-90

STANDARD FEATURES

- All Heli-arc welded construction.
- All 18 gauge type 304, 18/8 stainless steel.
- Attractive high polished bullnose edge to front.
- Drainboards are continuous corrugation
- Drainboards have 4" wide 18 gauge type 304, 18/8 stainless steel support channels and run full length and depth of drainboards.
- Drainboards are recessed and pitch to a 1" brass drain.

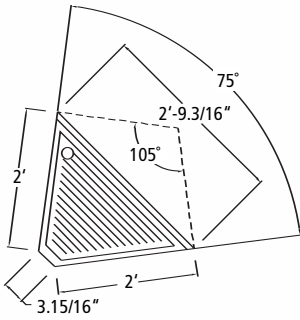
OPTIONS

- M Modified - Custom

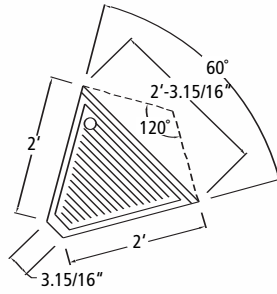


INSIDE CORNER FILLER

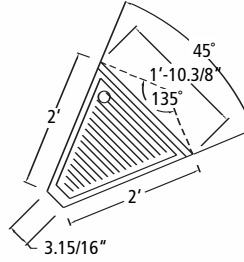
MODULAR COMPONENTS



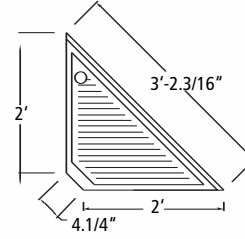
30° MITER CUT



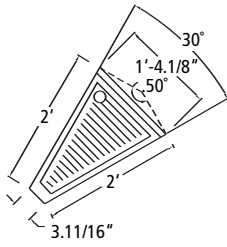
60° MITER CUT



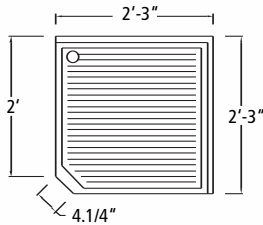
45° MITER CUT



90° MITER CUT



30° MITER CUT

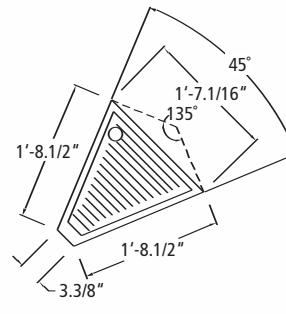


90° SQUARE CUT

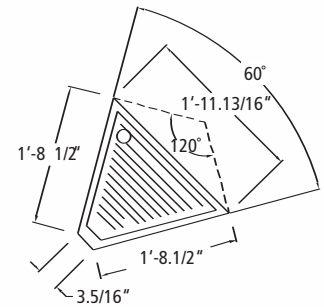
UTILITIES
DRAIN
1 x 1"

'D' SERIES 24" DEEP				
ANGLE	DESCRIPTION	MODEL NO.	WEIGHT	CUBE
15°	15° MITRE	IFCI-DM-15	55	5
30°	30° MITRE	IFCI-DM-30	55	5
45°	45° MITRE	IFCI-DM-45	55	5
60°	60° MITRE	IFCI-DM-60	45	5
75°	75° MITRE	IFCI-DM-75	45	5
90°	90° MITRE	IIFCI-DM-90	60	5
90°	90° SQUARE	IFCI-DQ-90	55	5

'S' SERIES 20.1/2" DEEP				
ANGLE	DESCRIPTION	MODEL NO.	WEIGHT	CUBE
15°	15° MITRE	IFCI-SM-15	55	5
30°	30° MITRE	IFCI-SM-30	55	5
45°	45° MITRE	IFCI-SM-45	55	5
60°	60° MITRE	IFCI-SM-60	45	5
75°	75° MITRE	IFCI-SM-75	45	5
90°	90° MITRE	IIFCI-SM-90	60	5
90°	90° SQUARE	IFCI-SM-90	55	5

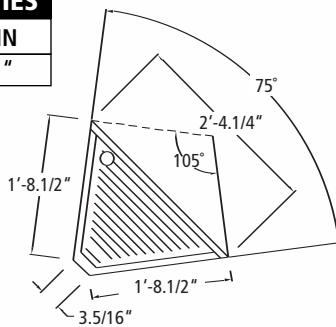


45° MITER CUT

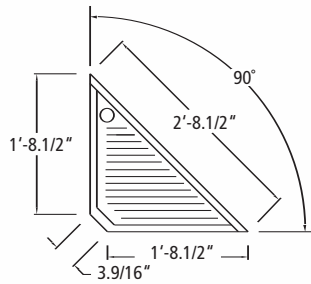


60° MITER CUT

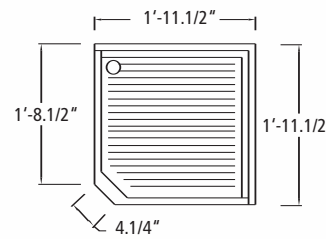
UTILITIES
DRAIN
1 x 1"



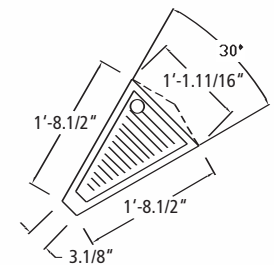
75° MITER CUT



90° MITER CUT



90° SQUARE CUT



30° MITER CUT