

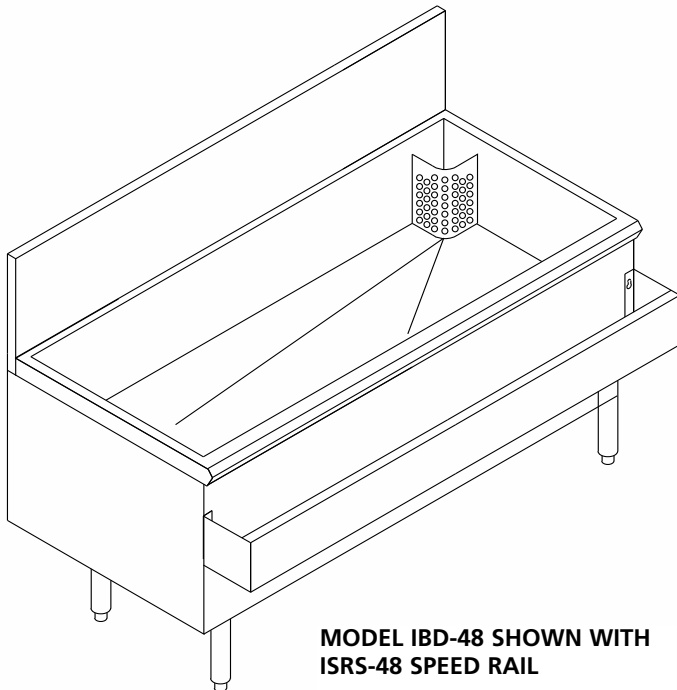


ICE BATH

MODULAR COMPONENTS

PROJECT _____

ITEM NO. _____



MODEL IBD-48 SHOWN WITH ISRS-48 SPEED RAIL



STANDARD FEATURES

- All Heli-arc welded construction
- All 18 gauge type 304, 18/8 stainless steel
- Attractive high polished bullnose edge to front
- Polyurethane 'shot-in-place' insulation
- 9" deep ice bin
- 1" drain
- Easy clean bin with 3/8" radius interior corners
- Corner located stand pipe over flow with stainless steel guard

MODELS

'S' SERIES 20.1/2" DEEP

Length	Ice Capacity	Model
<input type="checkbox"/> 30"	65#	IBS-30
<input type="checkbox"/> 36"	75#	IBS-36
<input type="checkbox"/> 42"	90#	IBS-42
<input type="checkbox"/> 48"	105#	IBS-48

'D' SERIES 24" DEEP

<input type="checkbox"/> 30"	78#	IBD-30
<input type="checkbox"/> 36"	95#	IBD-36
<input type="checkbox"/> 42"	110#	IBD-42
<input type="checkbox"/> 48"	130#	IBD-48

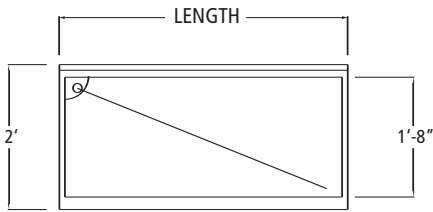
OPTIONS

- CB Cabinet Base
- M Modified - Custom
- ISRS Single Speed Rail
- ISRD Double Speed Rail

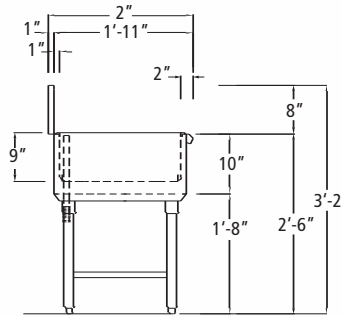


ICE BATH

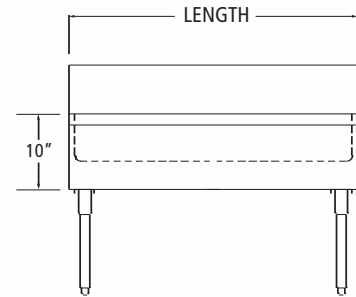
MODULAR COMPONENTS



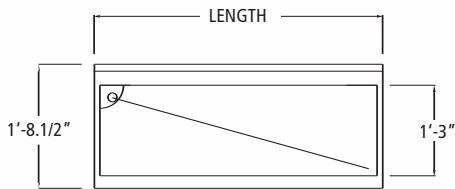
"D" SERIES PLAN



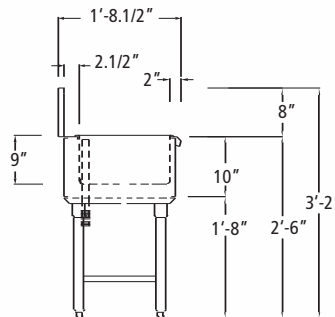
"D" SERIES SECTION



TYPICAL ELEVATION



"S" SERIES PLAN



"S" SERIES SECTION

S' SERIES 20.1/2" DEEP				
LENGTH	ICE CAPACITY	MODEL No.	WEIGHT	CUBE
30"	65#	IBBS-30	90	18
36"	75#	IBBS-36	115	24
42"	90#	IBBS-42	150	24
48"	105#	IBBS-48	185	30

'D' SERIES 24" DEEP				
LENGTH	ICE CAPACITY	MODEL No.	WEIGHT	CUBE
30"	78#	IBBD-30	90	18
36"	95#	IBBD-36	115	24
42"	110#	IBBD-42	150	24
48"	130#	IBBD-48	185	30

UTILITIES
DRAIN
1 x 1"