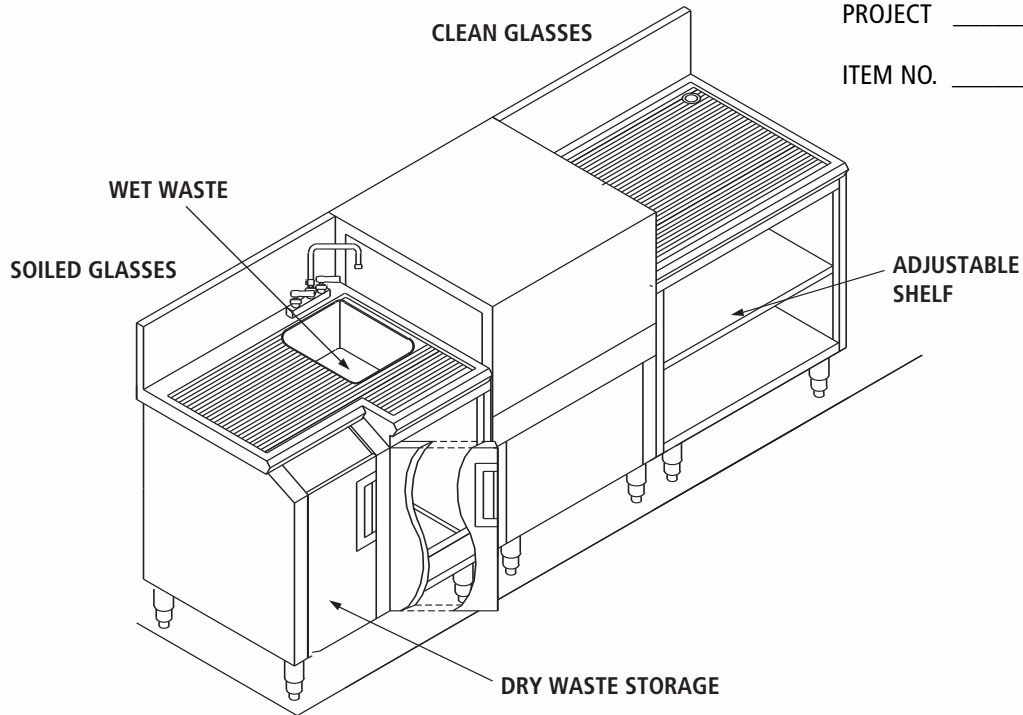




# GLASS WASHING STATION

## MODULAR COMPONENTS



PROJECT \_\_\_\_\_

ITEM NO. \_\_\_\_\_

### STANDARD FEATURES

- All Heli-arc welded construction
- All 18 gauge type 304, 18/8 stainless steel
- Attractive high polished bullnose edge to front
- Drainboards are continuous
- Drainboards have 4" wide 18 gauge type 304, 18/8 stainless steel support channels that run full length and depth of drainboards
- Drainboards are recessed and pitch to a 1" brass drain
- Drainboards with sink bowl include a premium faucet and 1.1/2" drain
- Doors are double skin 18 gauge type 304, 18/8 stainless steel
- Doors are mounted on heavy duty mullions with stainless steel pin hinges
- Attractive door pull
- Positive action door catches
- Soiled glass section has cabinet base for shelf of detergent products
- Clean glass section has intermediate shelf for glass racks
- Access chases at bottom, rear for detergent lines

### MODELS

#### SOILED GLASS SECTION 24" DEEP

Length	Bowl Size	Model
<input type="checkbox"/> 25" .....	9" x 11" x 8" deep .....	ISGT-25

#### CLEAN GLASS SECTION 24" DEEP

<input type="checkbox"/> 24" .....	2 .....	ICGT-24
------------------------------------	---------	---------

### OPTIONS

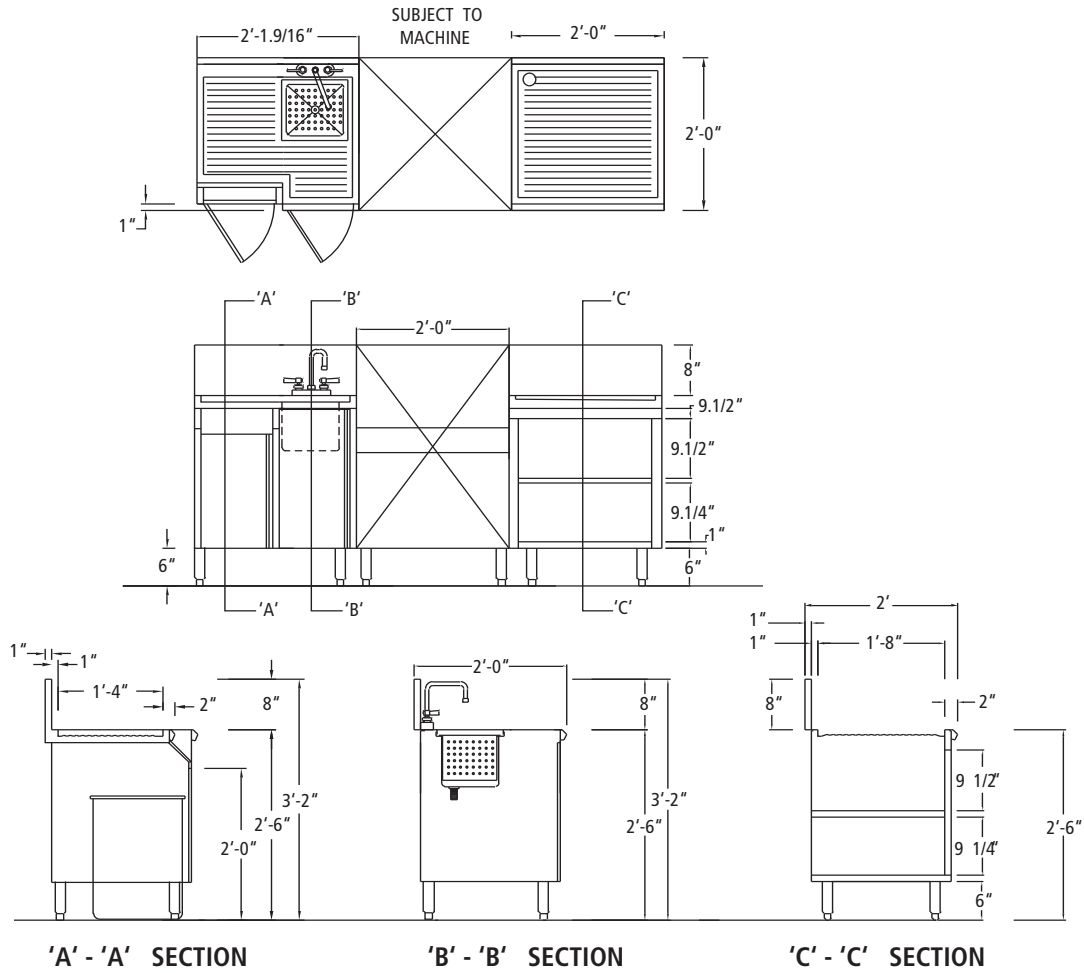
- GRA Glass Rack Assembly
- M Modified - Custom





# GLASS WASHING STATION

## MODULAR COMPONENTS



SOILED GLASS SECTION 24" DEEP		
LENGTH	BOWL SIZE	MODEL No.
25	3 GALLONS	ISGT-25

UTILITIES		
COLD WATER	HOT WATER	DRAIN
1 x 1/2"	1 x 1/2"	1 x 1.1/2"

CLEAN GLASS SECTION 24" DEEP		
LENGTH	SHELVES	MODEL No.
24	2	ICGT-24

UTILITIES
DRAIN
1 x 1"