

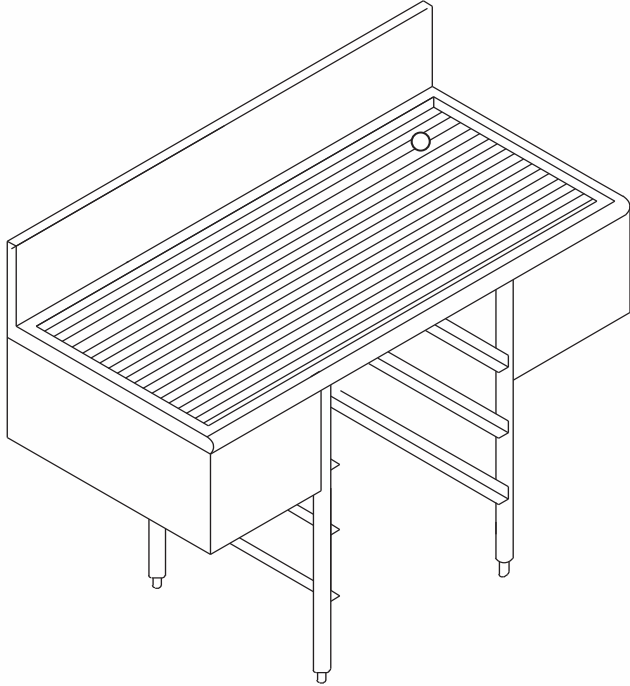


GLASS RACK

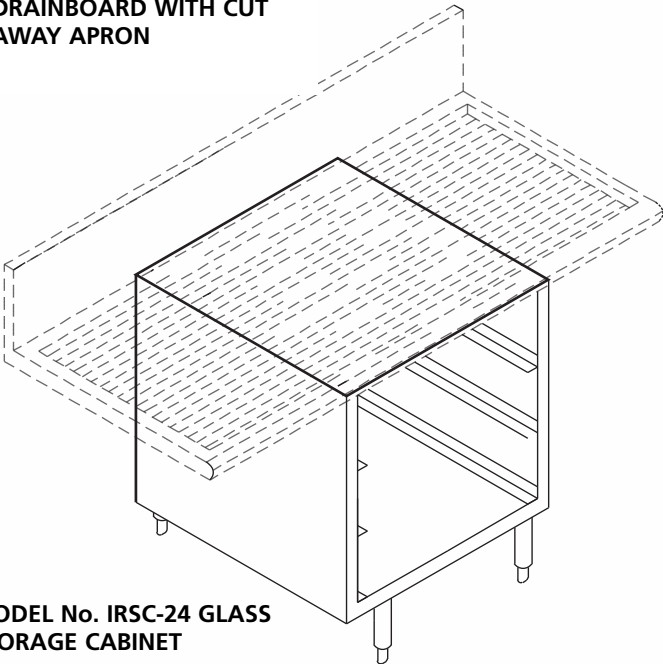
MODULAR COMPONENTS

PROJECT _____

ITEM NO. _____



MODEL No. IRSO-24 GLASS STORAGE RACK WITH MODEL No. IDBD.24 DRAINBOARD WITH CUT AWAY APRON



MODEL No. IRSC-24 GLASS STORAGE CABINET



STANDARD FEATURES

- All Heli-arc welded construction
- All 18 gauge type 304, 18/8 stainless steel
- Heavy duty stainless steel gussets welded to 14 gauge stainless steel channel supports
- Stainless steel adjustable bullet feet
- Rack tracks are easily removed for cleaning
- Glass rack slides are positioned for three racks high
- Cut away at designated location

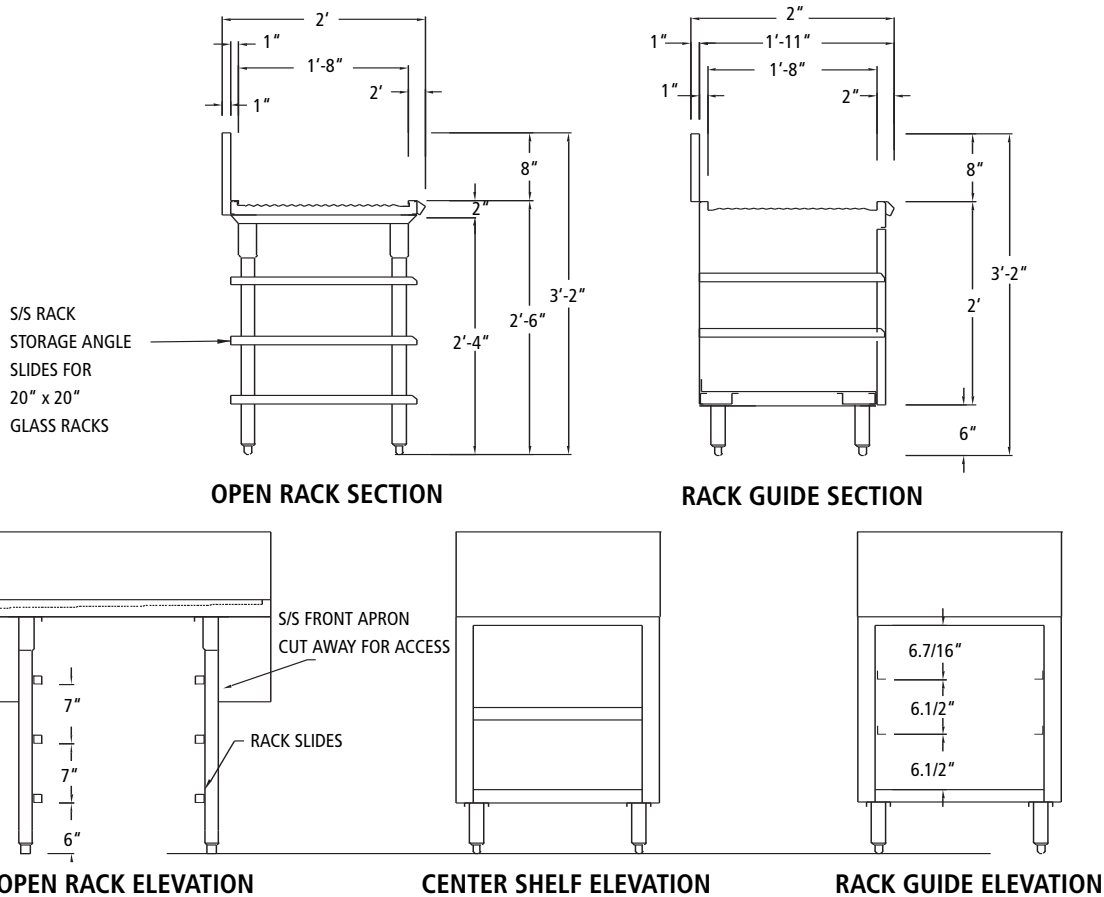
MODELS

'D' SERIES - 24" DEEP

| <u>Length</u> | <u>Racks</u> | <u>Model</u> |
|------------------------------------|----------------------|--------------|
| <input type="checkbox"/> 24" | 3ea. 20" x 20" | IRSO-24 |
| <input type="checkbox"/> 48" | 6ea. 20" x 20" | IRSO-48 |
| <input type="checkbox"/> 24" | 3ea. 20" x 20" | IRSC-24 |
| <input type="checkbox"/> 48" | 6ea. 20" x 20" | IRSC-48 |

OPTIONS

- AS Adjustable intermediate shelf
- M Modified - Custom

**OPEN GLASS RACK 24" DEEP**

| LENGTH | RACK CAPACITY | MODEL No. | WEIGHT | CUBE |
|--------|----------------------|-----------|--------|------|
| 24" | 3ea. 20" X 20" RACKS | IRSO-24 | 18 | 20 |
| 48" | 6ea. 20" X 20" RACKS | IRSO-48 | 24 | 45 |

GLASS STORAGE CABINET 24" DEEP

| LENGTH | RACK CAPACITY | MODEL No. | WEIGHT | CUBE |
|--------|----------------------|-----------|--------|------|
| 24" | 3ea. 20" X 20" RACKS | IRSC-24 | 120 | 20 |
| 48" | 6ea. 20" X 20" RACKS | IRSC-48 | 240 | 45 |

UTILITIES**DRAIN**

1 x 1"