

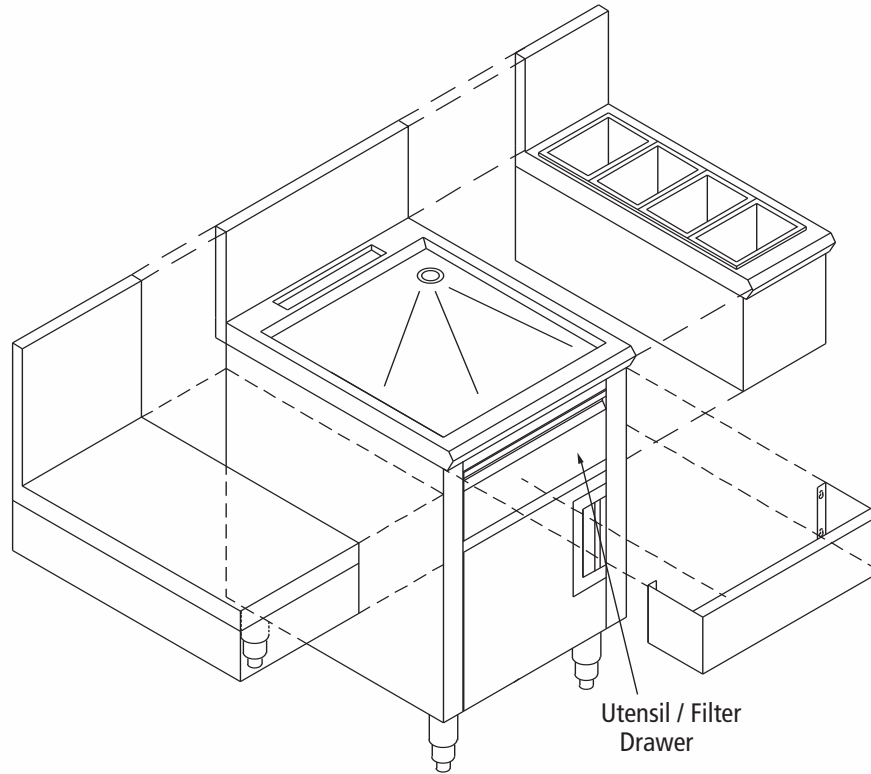


COFFEE STATION

MODULAR COMPONENTS

PROJECT _____

ITEM NO. _____



**MODEL No. ICOF-18 COFFEE STATION WITH MODE No. IRC-1/9th CONDIMENT RAIL,
MODEL No. IRSS-12 RECESSED SIDE SHELF AND ISRS-18 SPEED RAIL**



STANDARD FEATURES

- All Heli-arc welded construction
- All 18 gauge type 304, 18/8 stainless steel
- Attractive high polished bullnose edge to front
- Drainboards are flat with sound deadening undercoating
- Drainboards have 4" wide 18 gauge type 304, 18/8 stainless steel support channels every 5" that run full length and depth of drainboards
- Drainboards are recessed and pitch to a 1" brass drain
- Stainless steel utility drawer
- 6" high adjustable legs

MODELS

COFFEE STATION	
<u>Length</u>	<u>Model</u>
<input type="checkbox"/> 18"!COF-18
<input type="checkbox"/> 24"!COF-24

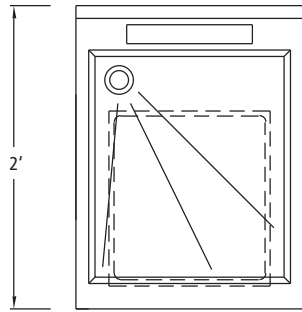
OPTIONS

- LS 12" Wide Lowered side shelf for Coffee Brewer or Air Pots factory installed. (specify left or right side)
- BCR 4 section x 1/9TH Condiment Rail complete with Stainless Steel containers
- M Modified / Custom

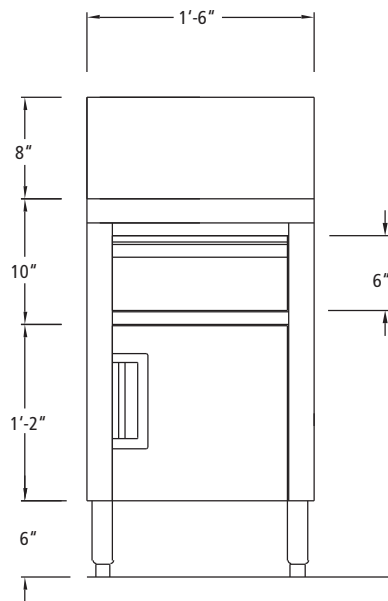


COFFEE STATION

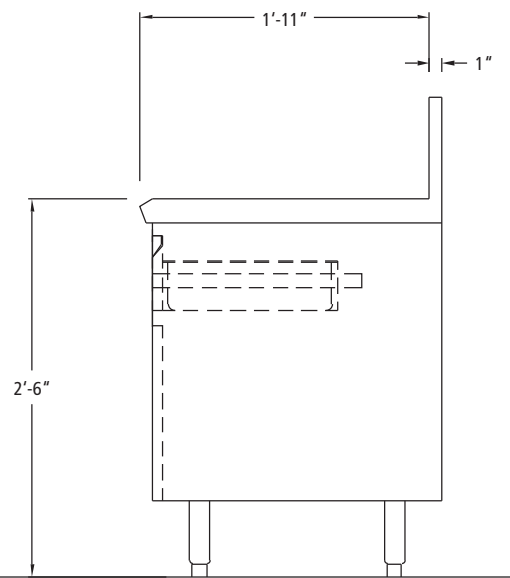
MODULAR COMPONENTS



PLAN VIEW



FRONT ELEVATION



SIDE ELEVATION

COFFEE STATIONS 'D' SERIES 24" DEEP

LENGTH	MODEL No.	WEIGHT	CUBE
18"	ICOF-18	110	12
24"	ICOF-24	120	18

UTILITIES

DRAIN
1 x 1"