

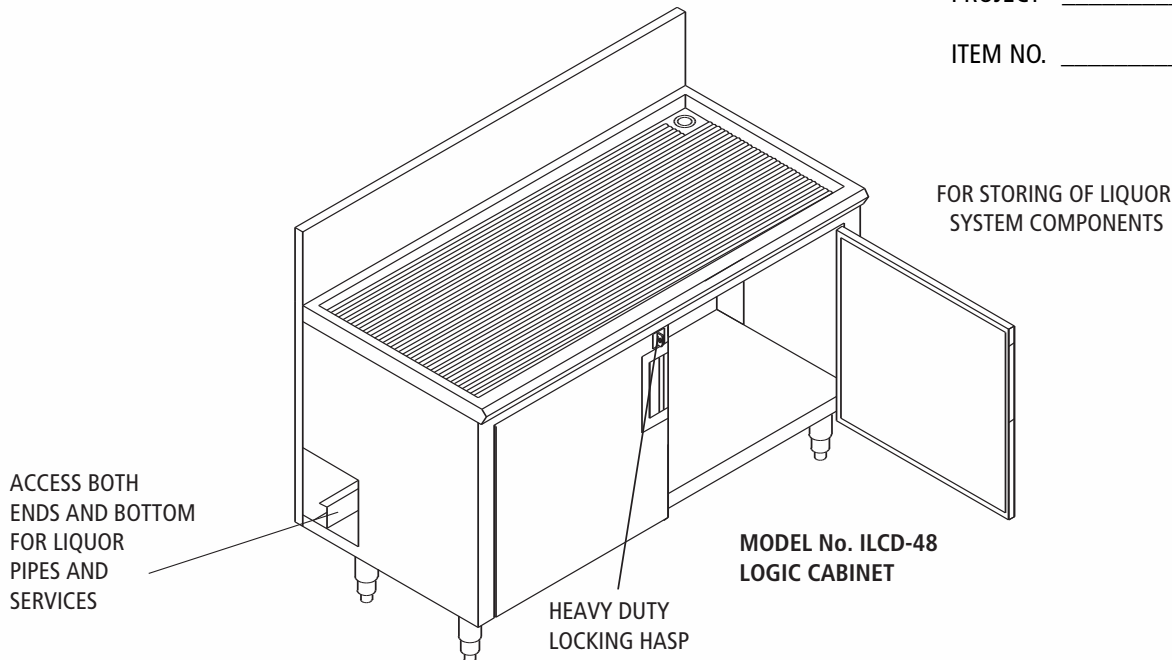


CASINO LOGIC CABINET

MODULAR COMPONENTS

PROJECT _____

ITEM NO. _____



STANDARD FEATURES

- All Heli-arc welded construction
- All 18 gauge type 304, 18/8 stainless steel
- 3/4" marine plywood is applied to the interior back, and ends for mounting liquor system components and controls
- Heavy duty stainless steel gussets welded to 14 gauge stainless steel channel supports
- Stainless steel adjustable bullet feet
- Attractive high polished bullnose edge to front
- Access chases at bottom, rear and both ends for services and liquor lines
- Heavy duty locking hasp
- Doors are double skin 18 gauge type 304, 18/8 stainless steel
- Doors are mounted on heavy duty mullions with stainless steel pin hinges
- Attractive door pull
- Positive action door catches
- Drainboards are continuous
- Drainboards pitch to a 1" brass drain
- Drainboards have 4" wide 18 gauge type 304, 18/8 stainless steel support channels

MODELS

'D' SERIES 24" DEEP

<u>Length</u>	<u>Model</u>
<input type="checkbox"/> 24"	ILCD-24
<input type="checkbox"/> 36"	ILCD-36
<input type="checkbox"/> 48"	ILCD-48

OPTIONS

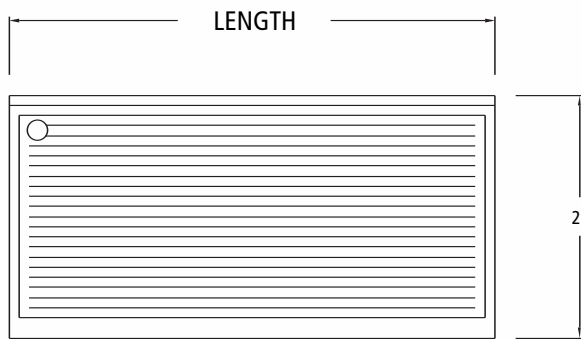
- M Modified - Custom



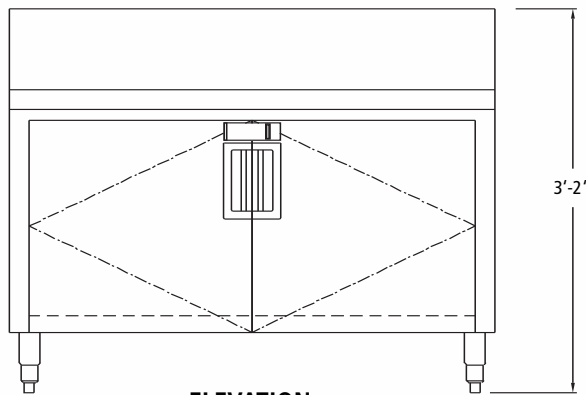


CASINO LOGIC CABINET

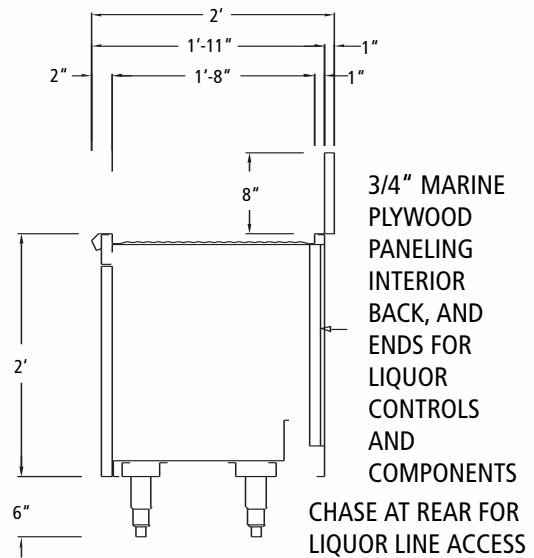
MODULAR COMPONENTS



PLAN VIEW



ELEVATION



SECTION

'D' SERIES 24" DEEP

LENGTH	MODEL NO.	WEIGHT	CUBE
24"	ILCD-24	195	18
36"	ILCD-36	275	18
48"	ILCD-48	325	24

UTILITIES

DRAIN

1 x 1"