



CASINO COCKTAIL STATIONS

MODULAR COMPONENTS

PROJECT _____

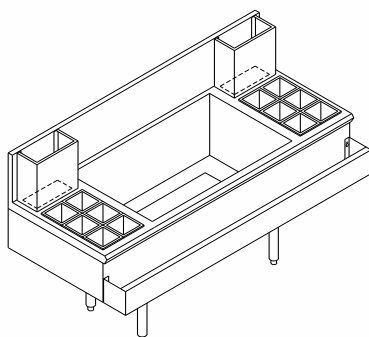
ITEM NO. _____



LIQUOR LINE ACCESS

LIQUOR SYSTEM INTERFACING
INSTALLATION MADE EASY

MODEL ICSD-48 SHOWN WITH
OPTIONAL CB - CABINET BASE



MODELS

'S' SERIES 24" DEEP WITH 8 CIRCUIT SEALED IN COLD PLATE

Length	Bottle Wells	Ice Capacity	Model
<input type="checkbox"/> 36"	6	.65#	ICSS-36-P8
<input type="checkbox"/> 42"	12	.65#	ICSS-42-P8
<input type="checkbox"/> 48"	12	.87#	ICSS-48-P8
<input type="checkbox"/> 54"	12	1.08#	ICSS-54-P8

'D' SERIES 28.1/2" DEEP WITH 8 CIRCUIT SEALED IN COLD PLATE

Length	Bottle Wells	Ice Capacity	Model
<input type="checkbox"/> 42"	12	.86#	ICSD-42-P8
<input type="checkbox"/> 48"	12	1.15#	ICSD-48-P8
<input type="checkbox"/> 54"	12	1.45#	ICSD-54-P8

'S' SERIES 24" DEEP WITHOUT COLD PLATE

Length	Bottle Wells	Ice Capacity	Model
<input type="checkbox"/> 42"	12	.65#	ICSS-42
<input type="checkbox"/> 48"	12	.87#	ICSS-48
<input type="checkbox"/> 54"	12	1.08#	ICSS-54

'D' SERIES 28.1/2" DEEP WITHOUT COLD PLATE

Length	Bottle Wells	Ice Capacity	Model
<input type="checkbox"/> 42"	12	.86#	ICSD-42
<input type="checkbox"/> 48"	12	1.15#	ICSD-48
<input type="checkbox"/> 54"	12	1.45#	ICSD-54

STANDARD FEATURES

- All Heli-arc welded construction
- All 18 gauge type 304, 18/8 stainless steel
- Heavy duty stainless steel gussets welded to 14 gauge stainless steel channel supports
- Stainless steel adjustable bullet feet
- Attractive high polished bullnose edge to front
- Polyurethane 'shot-in-place' insulation
- Separate bottle well bins are square, hard black plastic and sit in a removable sealed stainless steel pan
- Liquor / Soda line chases with removable shrouds
- Speed rail removable
- 12.1/2" net deep ice bin
- 1" x 3" brass drain
- Easy clean bin with 3/8" radius interior corners
- Liquor line access chases

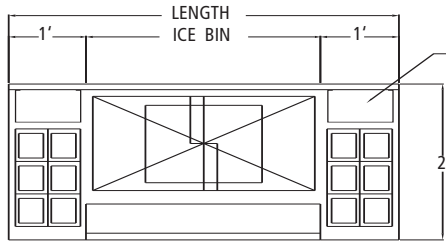
OPTIONS

- P10 Sealed in Cold Plate 10 Circuit (Available in 'D' series only)
- CB Cabinet Base
- 18B 18" Deep Ice Bin
- M Modified - Custom



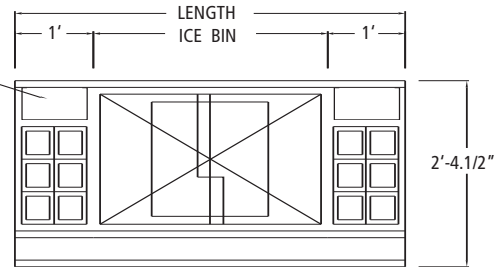
CASINO COCKTAIL STATIONS

MODULAR COMPONENTS

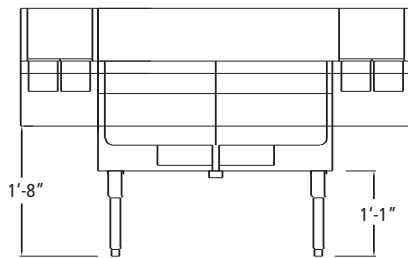


"S" SERIES PLAN VIEW

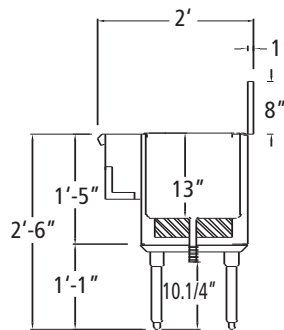
S/S LIQUOR AND SOD/INE CHASE (REMOVABLE)



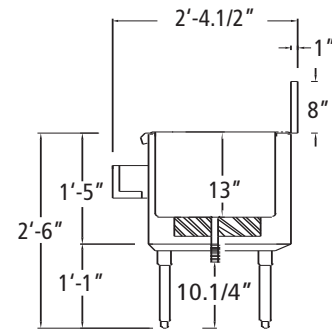
"D" SERIES PLAN VIEW



ELEVATION



"S" SERIES SECTION



"D" SERIES SECTION

CHASE SIZES		'S' SERIES 24" DEEP WITH 8 CIRCUIT SEALED IN COLD PLATE						
LEFT SIDE	RIGHT SIDE	LENGTH	BOTTLE CAPACITY	ICE CAPACITY	MODEL NO.	WEIGHT	CUBE	
6" x 12"	6" x 12"	42"	15	65 #	ICSS-42-P8	205	30	
6" x 12"	6" x 12"	48"	18	87 #	ICSS-48-P8	220	35	
6" x 12"	6" x 12"	54"	20	108 #	ICSS-54-P8	240	40	

CHASE SIZES		'D' SERIES 28.1/2" DEEP WITH 8 CIRCUIT SEALED IN COLD PLATE						
LEFT SIDE	RIGHT SIDE	LENGTH	BOTTLE CAPACITY	ICE CAPACITY	MODEL NO.	WEIGHT	CUBE	
6" x 12"	6" x 12"	42"	21	86 #	ICSD-42-P8	205	30	
6" x 12"	6" x 12"	48"	25	116 #	ICSD-48-P8	220	35	
6" x 12"	6" x 12"	54"	27	145 #	ICSD-54-P8	240	40	

CHASE SIZES		'S' SERIES 24" DEEP WITHOUT COLD PLATE						
LEFT SIDE	RIGHT SIDE	LENGTH	BOTTLE CAPACITY	ICE CAPACITY	MODEL NO.	WEIGHT	CUBE	
6" x 12"	6" x 12"	42"	15	65 #	ICSS-42	155	30	
6" x 12"	6" x 12"	48"	18	87 #	ICSS-48	170	35	
6" x 12"	6" x 12"	54"	20	108 #	ICSS-54	190	40	

CHASE SIZES		'D' SERIES 28.1/2" DEEP WITHOUT COLD PLATE						
LEFT SIDE	RIGHT SIDE	LENGTH	BOTTLE CAPACITY	ICE CAPACITY	MODEL NO.	WEIGHT	CUBE	
6" x 12"	6" x 12"	42"	21	86 #	ICSD-42	155	30	
6" x 12"	6" x 12"	48"	25	116 #	ICSD-48	170	35	
6" x 12"	6" x 12"	54"	27	145 #	ICSD-54	190	40	

UTILITIES (8 CIRCUIT)
DRAIN
1/2"

UTILITIES
DRAIN
1 x 1"

UTILITIES (10 CIRCUIT)
DRAIN
3/4"