

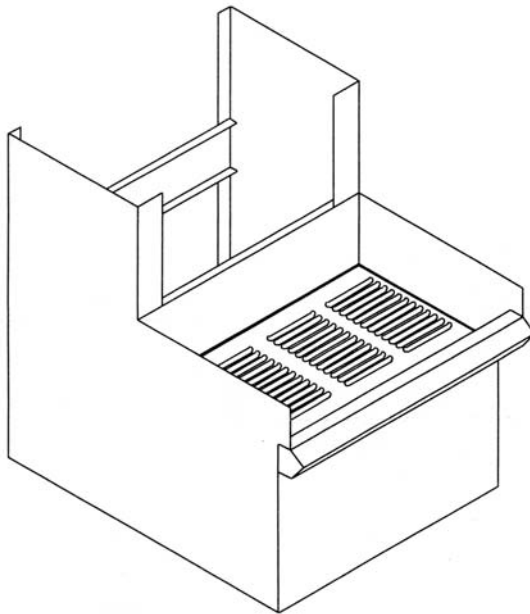


# BEVERAGE DISPENSING STATION

## MODULAR COMPONENTS

PROJECT \_\_\_\_\_

ITEM NO. \_\_\_\_\_



MODEL IBDS-18



### STANDARD FEATURES

- All Heli-arc welded construction
- All 18 gauge type 304, 18/8 stainless steel
- Attractive high polished bullnose edge to front
- Recessed stainless steel pouring tray
- Removable stainless steel pouring tray cover
- 1" brass drain

### MODELS

#### 'S' SERIES - 20.1/2" DEEP

<u>Length</u>	<u>Model</u>
<input type="checkbox"/> 18" .....	IBDS-18
<input type="checkbox"/> 24" .....	IBDS-24

#### 'D' SERIES - 24" DEEP

<input type="checkbox"/> 18" .....	IBDD-18
<input type="checkbox"/> 24" .....	IBDD-24

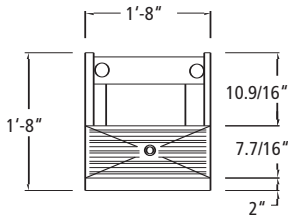
### OPTIONS

- FS Free Standing Leg set
- CB Cabinet Base
- M Modified / Custom

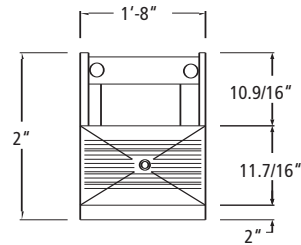


# BEVERAGE DISPENSING STATION

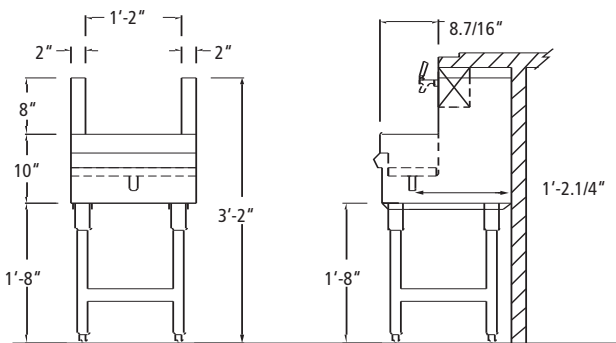
## MODULAR COMPONENTS



"S" SERIES PLAN VIEW

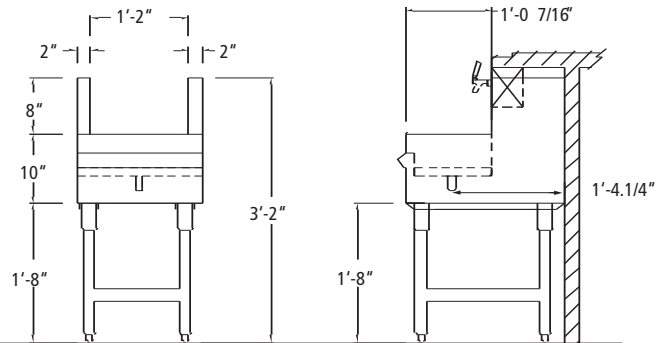


"D" SERIES PLAN VIEW



"S" SERIES ELEVATION

"S" SERIES SECTION



"D" SERIES ELEVATION

"D" SERIES SECTION

### 'S' SERIES 20.1/2" DEEP

LENGTH	MODEL No.	WEIGHT	CUBE
18"	IBDS-18	55	8
24"	IBDS-24	60	8

### 'D' SERIES 24" DEEP

LENGTH	MODEL No.	WEIGHT	CUBE
18"	IBDD-18	55	8
24"	IBDD-24	60	8

### UTILITIES

DRAIN
1 x 1"