



**I( ) - X - X - XX - X - M**  
**(1) (2) (3) (4) (5) (6)**

POSITION (1)		POSITION (2)	POSITION (3)
<u>Model</u>		<u># of Bowls</u>	<u>Length</u>
ISU	SINK UNIT	3 - THREE BOWL SINK UNIT 3.5 - THREE AND A HALF BOWL SINK UNIT 4 - BOWL SINK UNIT	D - D SERIES S - S SERIES

POSITION (4)	POSITION (5)	POSITION (6)
<u>Length</u>	OPTIONS	M-CUSTOM / MODIFIED
60 - 60" LONG		
66 - 66" LONG		
72 - 72" LONG		
84 - 84" LONG		
96 - 96" LONG		
108 - 108" LONG		
120 - 120" LONG		



# 3 BOWL SINK

## MODULAR COMPONENTS

PROJECT \_\_\_\_\_

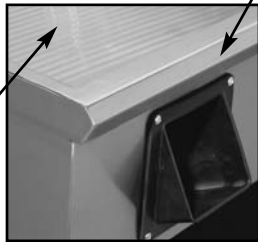
ITEM NO. \_\_\_\_\_



MODEL ISU3D-108 SHOWN WITH  
RTC - RUBBER TRASH CHUTE

ATTRACTIVE  
POLISHED  
BULLNOSE

CONTINUOUS  
CORRUGATED



## MODELS

### 'S' SERIES 20.1/2" DEEP WITH (3) - 10" x 14" x 10" BOWLS

Length	Model
<input type="checkbox"/> 60"	ISU3S-60
<input type="checkbox"/> 66"	ISU3S-66
<input type="checkbox"/> 72"	ISU3S-72
<input type="checkbox"/> 84"	ISU3S-84
<input type="checkbox"/> 96"	ISU3S-96
<input type="checkbox"/> 108"	ISU3S-108
<input type="checkbox"/> 120"	ISU3S-120

### 'D' SERIES 24" DEEP WITH 3 EACH 10" X 14" X 10" BOWLS

Length	Model
<input type="checkbox"/> 60"	ISU3D-60
<input type="checkbox"/> 66"	ISU3D-66
<input type="checkbox"/> 72"	ISU3D-72
<input type="checkbox"/> 84"	ISU3D-84
<input type="checkbox"/> 96"	ISU3D-96
<input type="checkbox"/> 108"	ISU3D-108
<input type="checkbox"/> 120"	ISU3D-120

## STANDARD FEATURES

- All Heli-arc welded construction
- All 18 gauge type 304, 18/8 stainless steel
- Heavy duty stainless steel gussets welded to 14 gauge stainless steel channel supports
- Stainless steel adjustable Bullet feet
- Attractive high polished bullnose edge to front
- Sink bowls are seamless to drainboards
- Sink bowls are 18 gauge type 304, 18/8 stainless steel
- Standard bowl size 10" x 14" x 10" deep with 1.1/2" drain and standpipe overflow
- Drainboards are continuous corrugation
- Drainboards have 4" wide 18 gauge type 304, 18/8 stainless steel support channels
- Drainboards pitch positively into bowls
- Deck mounted premium faucet with 12" swing spout

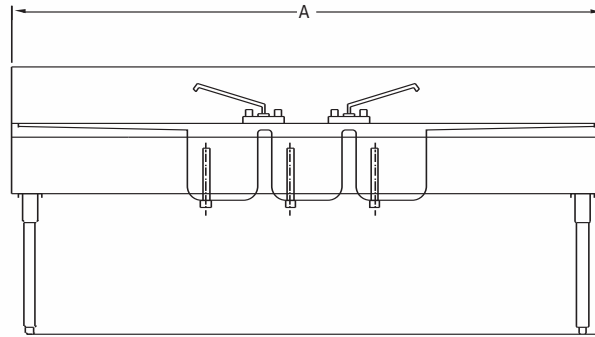
## OPTIONS

- TR Towel Rail
- RTC Rubber Trash Chute in Front Apron
- LS Lift Out Strainer Basket For Bowls
- CB Cabinet Base
- RS10 Rack Storage for 10 X 20 Racks
- RS20 Rack Storage for 20 X 20 Racks
- TC Plastic Trash Can
- USS Undershelf
- USD Undershelf 'D' Series
- CA Cut Away Apron for Trash Can
- RP Removable Panels
- M Modified - Custom
- SBF Special Brand Faucet Available Upon Request

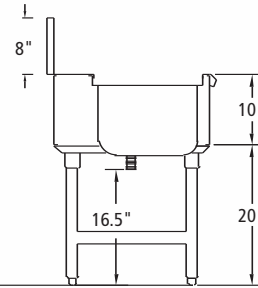


# 3 BOWL SINK

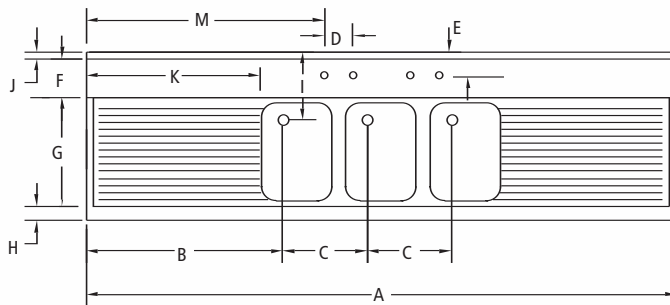
## MODULAR COMPONENTS



ELEVATION



SECTION



PLAN

FOR SINKS LOCATED AT FAR LEFT OR RIGHT PLACE AN "R" OR "L" AT THE END OF THE MODEL NUMBER

EXAMPLE: ISU3S - 8L (LEFT HAND BOWLS)

### 'S' SERIES 20.1/2" DEEP - 10" x 14" x 10" BOWLS

MODEL No.	A	B	C	D	E	F	G	H	I	J	K	M	WEIGHT	CUBE
ISU3S - 60	60	16.3/4"	12.1/4"	4"	2"	2"	15.1/2"	2"	7.1/2"	1"	13	28	150	20
ISU3S - 66	66	19.3/4"	12.1/4"	4"	2"	2"	15.1/2"	2"	7.1/2"	1"	16	31	165	24
ISU3S - 72	72	22.3/4"	12.1/4"	4"	2"	2"	15.1/2"	2"	7.1/2"	1"	19	34	175	24
ISU3S - 84	84	28.3/4"	12.1/4"	4"	2"	2"	15.1/2"	2"	7.1/2"	1"	25	40	190	30
ISU3S - 96	96	34.3/4"	12.1/4"	4"	2"	2"	15.1/2"	2"	7.1/2"	1"	31	46	220	34
ISU3S - 108	108	40.3/4"	12.1/4"	4"	2"	2"	15.1/2"	2"	7.1/2"	1"	37	52	250	40
ISU3S - 120	120	52.3/4"	12.1/4"	4"	2"	2"	15.1/2"	2"	7.1/2"	1"	48	58	275	44

### 'D' SERIES 24" DEEP - 10" X 14" X 10" BOWLS

MODEL No.	A	B	C	D	E	F	G	H	I	J	K	M	WEIGHT	CUBE
ISU3D - 60	60	16.3/4"	12.1/4"	4"	2"	2"	15.1/2"	2"	7.1/2"	1"	13	28	150	20
ISU3D - 66	66	19.3/4"	12.1/4"	4"	2"	2"	15.1/2"	2"	7.1/2"	1"	16	31	165	24
ISU3D - 72	72	22.3/4"	12.1/4"	4"	2"	2"	15.1/2"	2"	7.1/2"	1"	19	34	175	24
ISU3D - 84	84	28.3/4"	12.1/4"	4"	2"	2"	15.1/2"	2"	7.1/2"	1"	25	40	190	30
ISU3D - 96	96	34.3/4"	12.1/4"	4"	2"	2"	15.1/2"	2"	7.1/2"	1"	31	46	220	34
ISU3D - 108	108	40.3/4"	12.1/4"	4"	2"	2"	15.1/2"	2"	7.1/2"	1"	37	52	250	40
ISU3D - 120	120	52.3/4"	12.1/4"	4"	2"	2"	15.1/2"	2"	7.1/2"	1"	48	58	275	44

### UTILITIES

COLD WATER	HOT WATER	DRAIN
1 x 1/2" COLD	1 x 1/2" HOT	3 x 1.1/2"