

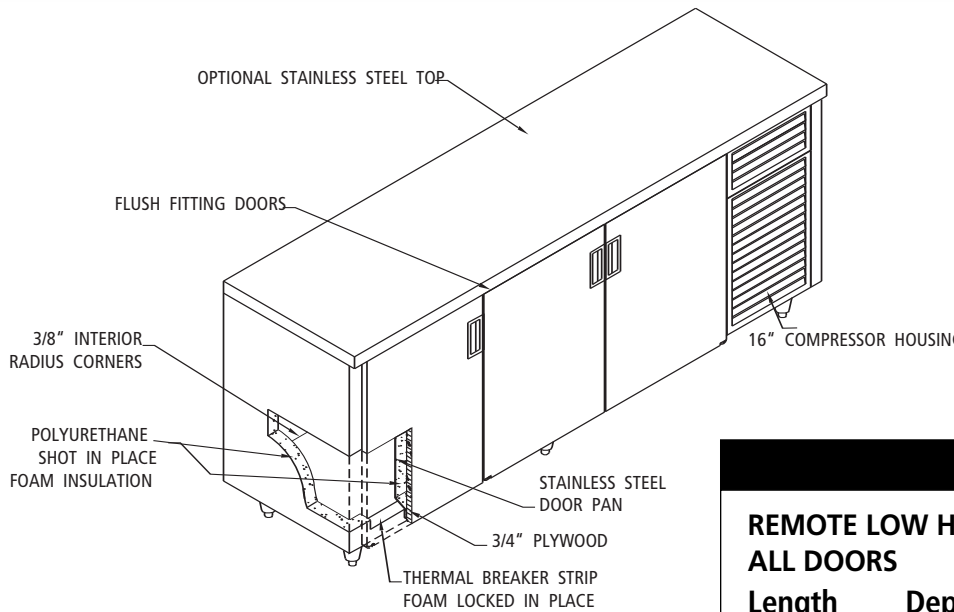


37" HIGH BACKBAR

MODULAR COMPONENTS

PROJECT _____

ITEM NO. _____



Detail of radius corner and tanked bottom



MODELS

REMOTE LOW HEIGHT - 37" BODY HEIGHT ALL DOORS

Length	Depth	#Sections	Model
<input type="checkbox"/> 25.1/2"24"1.....	IBCRR-1D
<input type="checkbox"/> 48"24"2.....	IBCRR-2D
<input type="checkbox"/> 72"24"3.....	IBCRR-3D
<input type="checkbox"/> 96"24"4.....	IBCRR-4D

SELF CONTAINED LOW HEIGHT REFRIGERATORS ALL DOORS

Length	Depth	#Sections	Model
<input type="checkbox"/> 43.1/2"24"1.....	IBCRS-1D
<input type="checkbox"/> 66"24"2.....	IBCRS-2D
<input type="checkbox"/> 90"24"3.....	IBCRS-3D
<input type="checkbox"/> 114"24"4.....	IBCRS-4D

STANDARD FEATURES

- All Heli-arc welded construction
- All 18 gauge type 304, 18/8 stainless steel interiors and doors
- Polyurethane "shot-in-place" insulation
- Door actuated interior lights
- Magnetic door gasket
- Easy clean with 3/8 radius interior corners
- Heavy duty breaker strip 'foam-locked' in position
- Pre-wired internal flexible conduit to a single point connection

OPTIONS

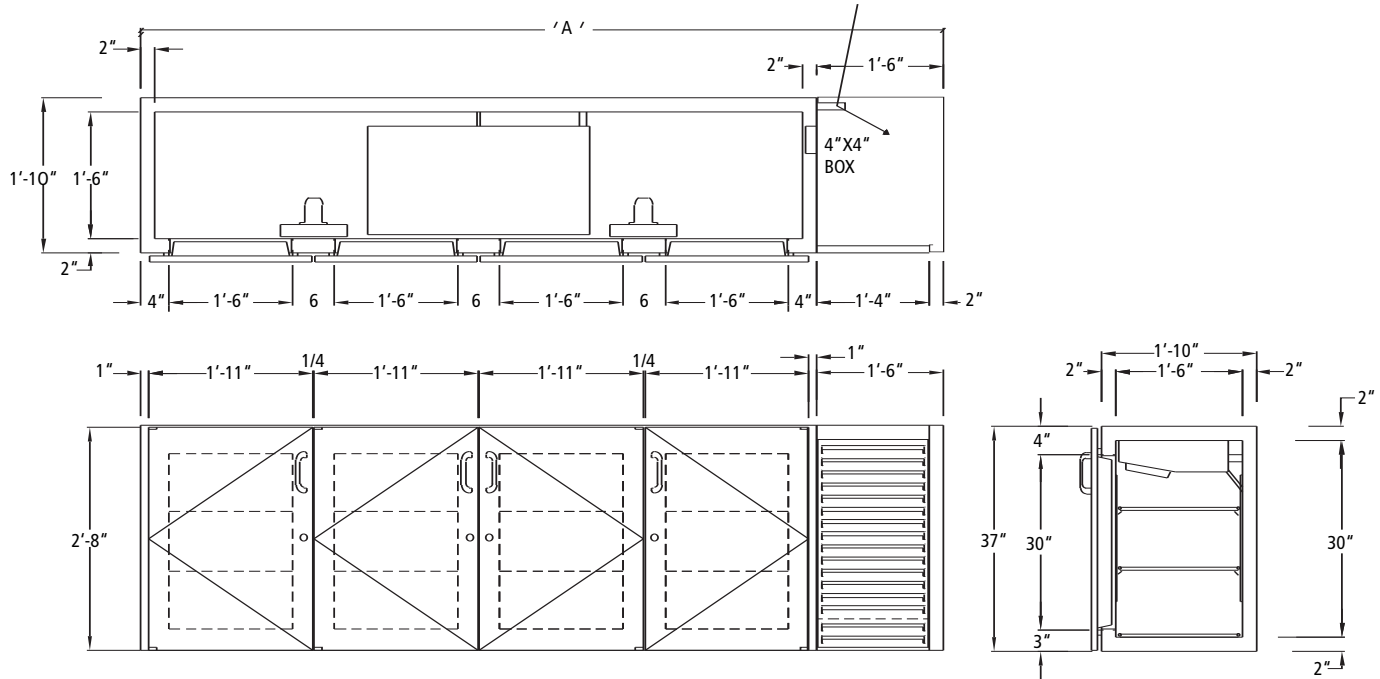
- F Freezer
- FLD Field Laminated Door
- ST Stainless Steel Top
- DS Dry Storage
- LD Laminated Doors
- GD Glass Doors
- SSD Stainless Steel Doors
- SWS Stainless Steel Wire Shelves
- CS Heavy Duty Casters
- CL 6" high stainless steel adjustable legs
- DL Door locks (Each)
- SSP Stainless Steel Side Panels (Each)
- SSR Stainless Steel Rear Panel
- SSB Stainless Steel Bottom Panel
- M Custom / Modified Unit



37" HIGH BACKBAR

MODULAR COMPONENTS

COMPRESSOR HOUSING REFRIGERATION AND DRAIN LINE STUB-OUTS (RIGHT OR LEFT SIDE)



BACKBAR REFRIGERATORS 37" BODY HEIGHT

SELF CONTAINED								
MODEL	DIMENSION 'A'	H.P	VOLTS	AMPS	PHASE	BTU'S	WEIGHT	CUBE
IBCRS-1D	43.1/2"	1/4 HP	115v	8.9	1ph	800	520	53
IBCRS-2D	66"	1/4 HP	115v	9.3	1ph	1000	630	53
IBCRS-3D	90"	1/3 HP	115v	10.3	1ph	1300	690	71
IBCRS-4D	114"	1/2 HP	115v	11.8	1ph	2300	1030	90

REMOTE UNITS							
MODEL	DIMENSION 'A'	VOLTS	AMPS	PHASE	BTU'S	WEIGHT	CUBE
IBCR-1D	25.1/2"	115v	1.3	1ph	800	292	22
IBCR-2D	48"	115v	1.7	1ph	1000	370	39
IBCR-3D	72"	115v	2.3	1ph	1300	430	58
IBCR-4D	96"	115v	3.7	1ph	2300	500	76