

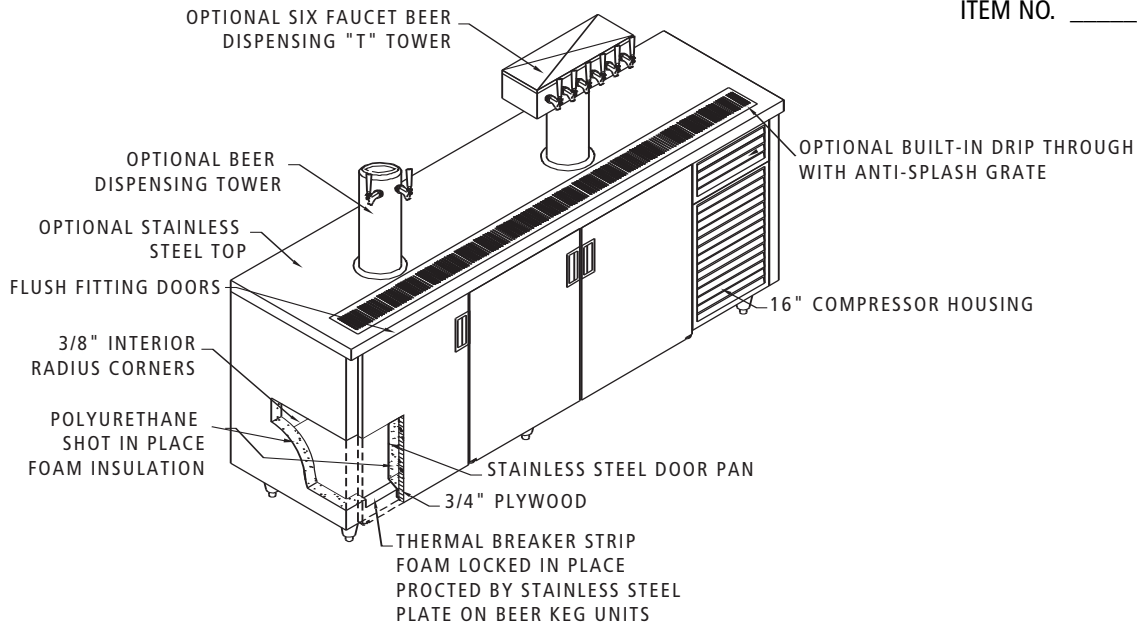


37" HIGH BACKBAR

MODULAR COMPONENTS

PROJECT _____

ITEM NO. _____



Detail of radius corner and tanked bottom



MODELS

REMOTE COUNTER HEIGHT - 37" BODY HEIGHT
ALL DOORS

Length	Depth	#Sections	Model
<input type="checkbox"/> 26"24"1IBCKR-1D
<input type="checkbox"/> 51"24"2IBCKR-2D
<input type="checkbox"/> 76"24"3IBCKR-3D
<input type="checkbox"/> 101"24"4IBCKR-4D

STANDARD FEATURES

- All Heli-arc welded construction
- All 18 gauge type 304, 18/8 stainless steel interiors and doors
- Polyurethane "shot-in-place" insulation
- Door actuated interior lights
- Magnetic door gasket
- Easy clean with 3/8 radius interior corners
- Heavy duty breaker strip 'foam-locked' in position
- Pre-wired internal flexible conduit to a single point connection

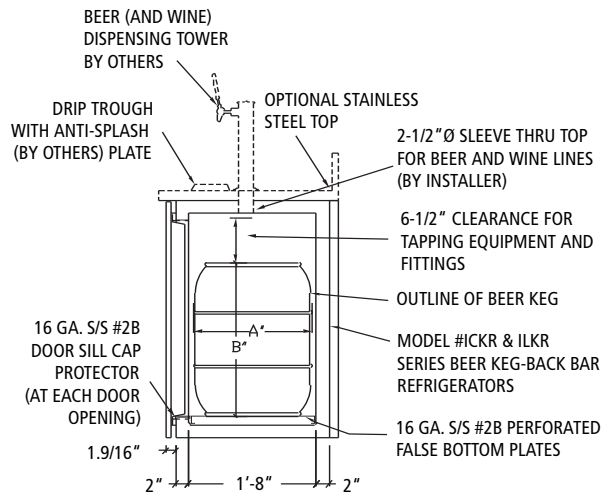
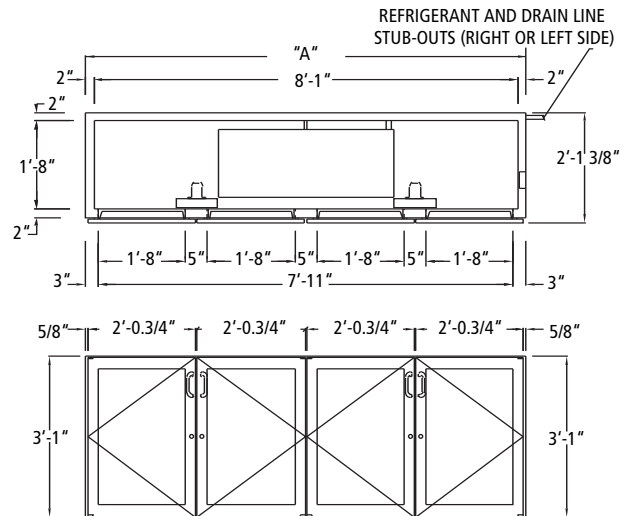
OPTIONS

- LD Laminated Doors
- FLD Field Laminated Door
- ST Stainless Steel Top
- SSD Stainless Steel Doors
- CS Heavy Duty Casters
- CL 6" high stainless steel adjustable legs
- DL Door locks (Each)
- SSP Stainless Steel Side Panels (Each)
- SSR Stainless Steel Rear Panel
- SSB Stainless Steel Bottom Panel
- S Self Contained
- M Custom / Modified Unit



37" HIGH BACKBAR

MODULAR COMPONENTS



NOTE:
 BARREL SIZES VARY PER
 MANUFACTURE
 SIZES NOTED ARE MAXIMUM
 DIMENSIONAL STANDARDS
 1/2 BARREL EQUALS 16
 GALLON CAPACITY

BARREL SIZE	BEER BARREL OUTSIDE DIMENSIONS		MINIMUM DOOR OPENING WITH TAPPING EQUIP. ATTACHED		BARREL WEIGHT (FULL)
	A™	B™	WIDTH	HEIGHT	
1/8 BARREL	13™	15™	19™	23™	55 LBS
1/4 BARREL	15™	16-1/2™	19™	23™	85 LBS
1/2 BARREL	18-1/2™	24™	19™	31™	160 LBS

BEER KEG REFRIGERATORS 37" BODY HEIGHT

REMOTE UNITS ALL DOORS							
MODEL	DIMENSION 'A'	VOLTS	AMPS	PHASE	BTU'S	WEIGHT	CUBE
IBCKR-1D	26"	115v	1.2	1ph	1000	292	22
IBCKR-2D	51"	115v	2.3	1ph	1300	370	39
IBCKR-3D	76"	115v	2.3	1ph	1700	430	58
IBCKR-4D	101"	115v	2.3	1ph	2300	500	76