

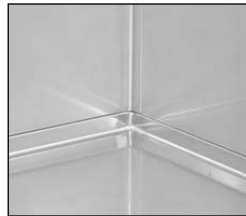
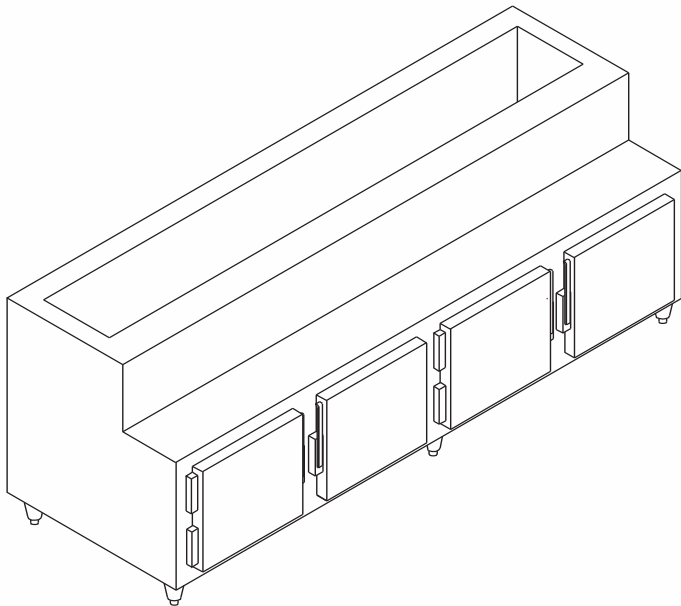


32" PLATE SHELF W/DOORS

MODULAR COMPONENTS

PROJECT _____

ITEM NO. _____



Detail of radius corner and tanked bottom

STANDARD FEATURES

- All Heli-arc welded construction
- All 18 gauge type 304, 18/8 stainless steel interiors and doors
- Polyurethane "shot-in-place" insulation
- Door actuated interior lights
- Compression door gasket (non-magnetic type for longer life)
- Kason edge mount door hardware, extra heavy duty, chrome plated
- Door latch 'Kason
- Door hinges 'Kason
- Easy clean with 3/8 radius interior corners
- Heavy duty breaker strip 'foam-locked' in position
- 6" high stainless steel adjustable legs
- Pre-wired internal flexible conduit to a single point connection
- Self closing door hinges

MODELS

REMOTE PLATE SHELF - 32" BODY HEIGHT ALL DOORS

Length	Depth	#Sections	Model
<input type="checkbox"/> 26"	32"	1	IPRR-1-1D
<input type="checkbox"/> 51"	32"	2	IPRR-2-2D
<input type="checkbox"/> 76"	32"	3	IPRR-3-3D
<input type="checkbox"/> 101"	32"	4	IPRR-4-4D

SELF CONTAINED PLATE SHELF ALL DOORS

Length	Depth	#Sections	Model
<input type="checkbox"/> 44"	32"	1	IPRS-1-1D
<input type="checkbox"/> 69"	32"	2	IPRS-2-2D
<input type="checkbox"/> 94"	32"	3	IPRS-3-3D
<input type="checkbox"/> 119"	32"	4	IPRS-4-4D

OPTIONS

- F Freezer
- SSPR Stainless Steel Right End Panel
- SSPL Stainless Steel Left End Panel
- AS All Stainless Steel Including Ends, Back and Bottom
- CO Cut-out in top (Specify Pan Size and Quantity)
- ST Stainless Steel Top
- NC Night Covers
- SSC Security Screen for Top Opening
- SWS Stainless Steel Wire Racks
- GD Glass Doors
- TS Tray Slide Assembly for 18x26 Trays (Specify Sections)
- CS Casters
- PLD Locking Padlock Assembly for Doors
- DT Dual Temp. Base
- M Custom / Modified Unit
- 38PC NSF 7 Pan Chiller Rail / Maintains 38-Degree Product (Specify Pan Size and Quantity) Available on Counter High and Plate Shelf Bases Only.
- MG Magnetic Gasket



32" PLATE SHELF W/DOORS

MODULAR COMPONENTS

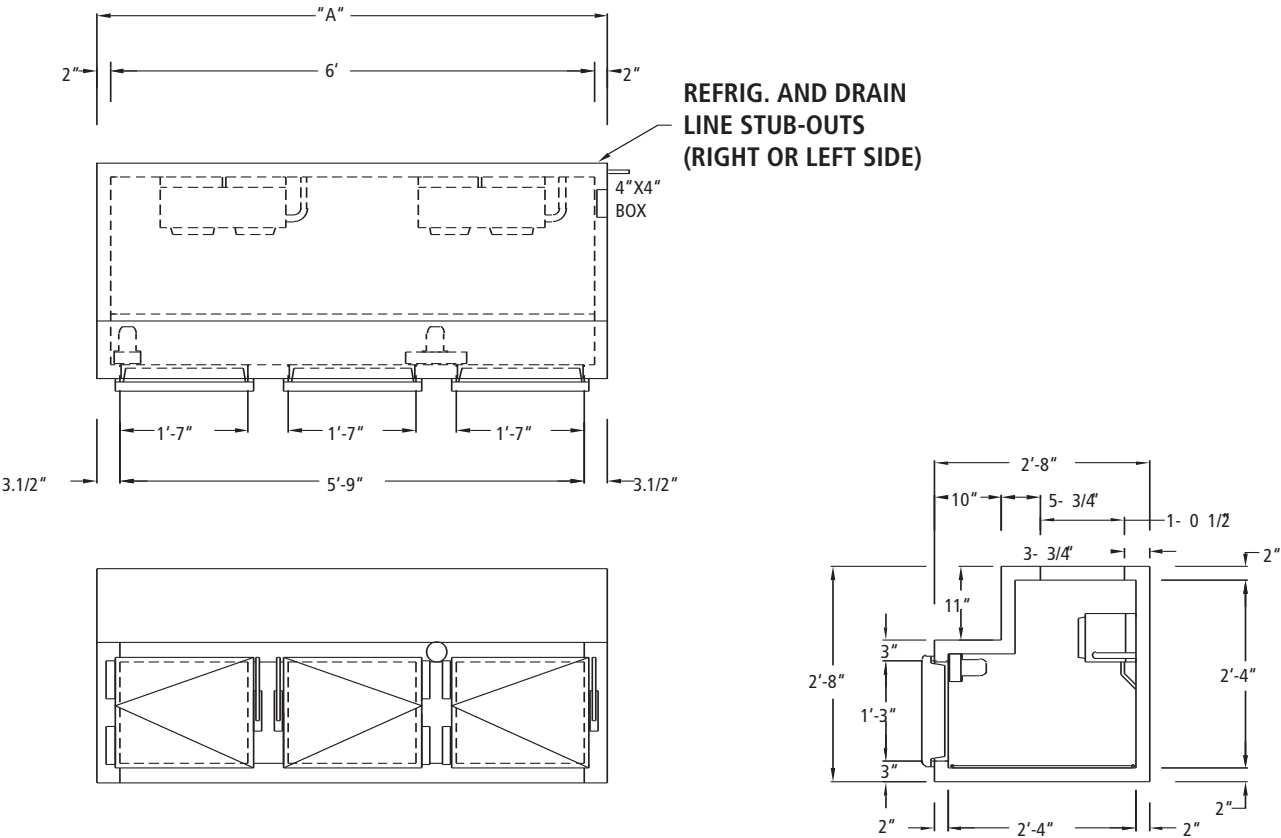


PLATE SHELF REFRIGERATORS 32" BODY HEIGHT

SELF CONTAINED ALL DOORS								
MODEL	DIMENSION 'A'	H.P	VOLTS	AMPS	PHASE	BTU'S	WEIGHT	CUBE
IPRS-1-1D	44"	1/4 HP	115v	9.1	1ph	1000	490	40
IPRS-2-2D	69"	1/3 HP	115v	10.5	1ph	1500	590	61
IPRS-3-3D	94"	1/3 HP	115v	11	1ph	2000	635	85
IPRS-4-4D	119"	1/2 HP	115v	14.9	1ph	3000	695	105

REMOTE UNITS ALL DOORS							
MODEL	DIMENSION 'A'	VOLTS	AMPS	PHASE	BTU'S	WEIGHT	CUBE
IPRR-1-1D	26"	115v	1.6	1ph	1000	265	25
IPRR-2-2D	51"	115v	2.6	1ph	1500	345	46
IPRR-3-3D	76"	115v	3.1	1ph	2000	400	66
IPRR-4-4D	101"	115v	4.1	1ph	3000	465	87