

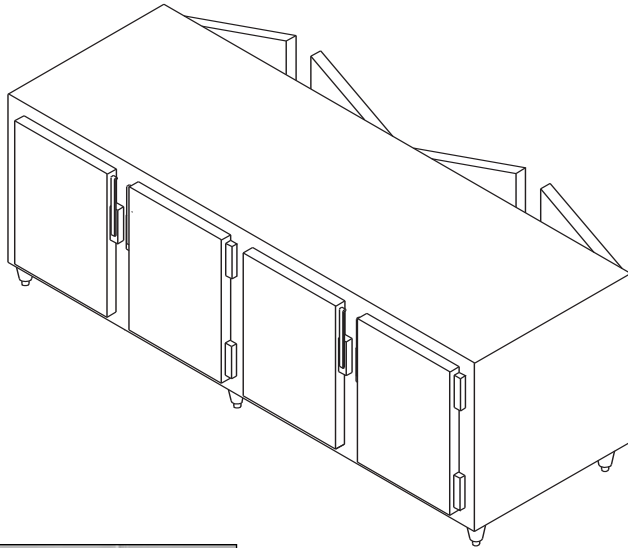


30" COUNTER HIGH W/DOORS

MODULAR COMPONENTS

PROJECT _____

ITEM NO. _____



Detail of radius corner and tanked bottom



CONFORMS TO ANS/NSF STD 7

STANDARD FEATURES

- All Heli-arc welded construction
- All 18 gauge 304, 18/8 stainless steel interiors front face doors and door backs
- Polyurethane 'shot-in-place' insulation
- 3/8" interior corners
- Polypropylene breaker strip is foamed-locked in-place using no mechanical fasteners
- High compression non-magnetic vinyl door/drawer gasket
- Self-closing door hinges Kason
- Door latch Kason
- Pre-wired electrical conduit is internally installed within inner and outer walls
- Oversized blower coil with expansion valve, thermostat and solenoid valves
- Adjustable wire shelves

MODELS

REMOTE COUNTER HIGH - 30" BODY HEIGHT ALL DOORS

Length	Depth	#Sections	Model
<input type="checkbox"/> 26"	32"	1	IRRH-1-1DP
<input type="checkbox"/> 51"	32"	2	IRRH-2-2DP
<input type="checkbox"/> 76"	32"	3	IRRH-3-3DP
<input type="checkbox"/> 101"	32"	4	IRRH-4-4DP

SELF CONTAINED COUNTER HIGH - 30" BODY HT. ALL DOORS

Length	Depth	#Sections	Model
<input type="checkbox"/> 44"	32"	1	IRSH-1-1DP
<input type="checkbox"/> 69"	32"	2	IRSH-2-2DP
<input type="checkbox"/> 98"	32"	3	IRSH-3-3DP
<input type="checkbox"/> 123"	32"	4	IRSH-4-4DP

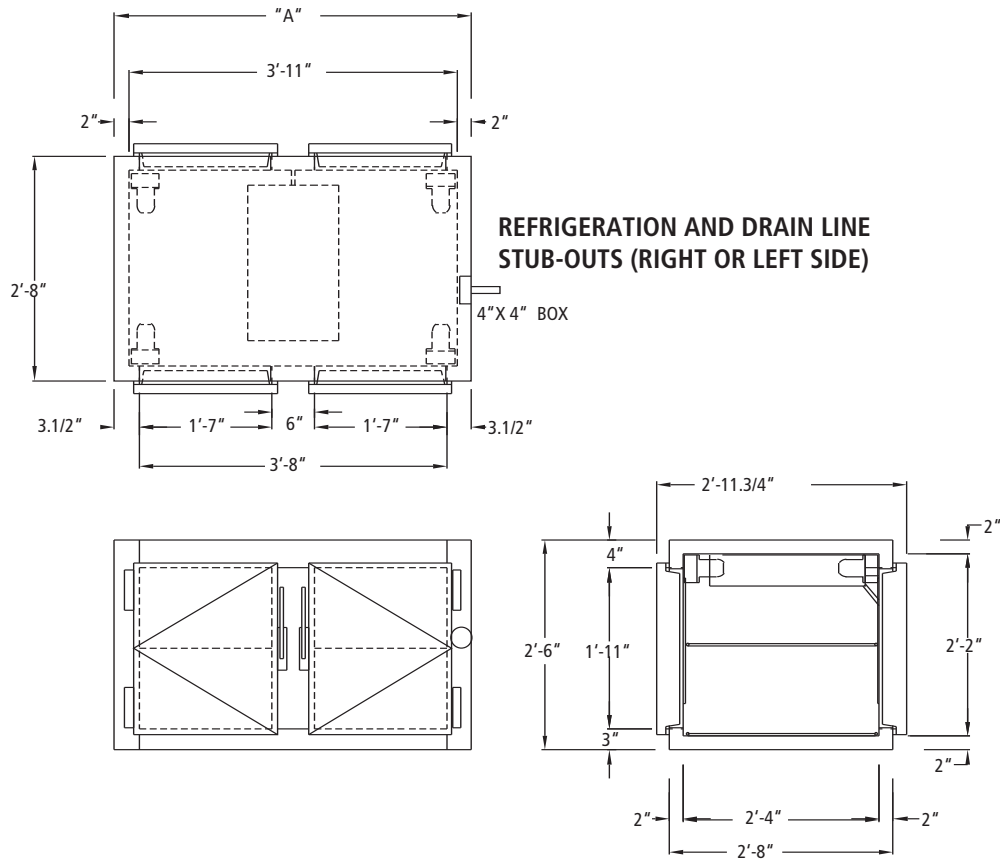
OPTIONS

- F Freezer
- SSPR Stainless Steel Right End Panel
- SSP Stainless Steel Left End Panel
- AS All Stainless Steel Including Ends, Back and Bottom
- CO Cut-out in top
Specify Pan Size and Quantity)
- ST Stainless Steel Top
- NC Night Covers
- SSC Security Screen for Top Opening
- SWS Stainless Steel Wire Racks
- GD Glass Doors
- TS Tray Slide Assembly for 18x26 Trays
(Specify Sections)
- CS Casters
- PLD Locking Padlock Assembly for Doors
- DT Dual Temp. Base
- M Custom / Modified Unit
- 38PC NSF 7 Pan Chiller Rail / Maintains
38-Degree Product (Specify Pan Size and Quantity) Available on Counter High and Plate Shelf Bases Only.
- MG Magnetic Gasket



30" COUNTER HIGH W/DOORS

MODULAR COMPONENTS



PASS THROUGH COUNTER HIGH REFRIGERATORS 30" BODY HEIGHT

SELF CONTAINED ALL DOORS								
MODEL	DIMENSION 'A'	H.P	VOLTS	AMPS	PHASE	BTU'S	WEIGHT	CUBE
IRSH-1-2DP	44"	1/4 HP	115v	9.6	1ph	1000	510	40
IRSH-2-4DP	69"	1/3 HP	115v	11.5	1ph	1500	610	61
IRSH-3-6DP	98"	1/2 HP	115v	16.1	1ph	3000	665	85
IRSH-4-8DP	123"	1/2 HP	115v	16.1	1ph	3000	735	105

REMOTE UNITS ALL DOORS							
MODEL	DIMENSION 'A'	VOLTS	AMPS	PHASE	BTU'S	WEIGHT	CUBE
IRRH-1-2DP	26"	115v	2.1	1ph	1000	285	25
IRRH-2-4DP	51"	115v	3.6	1ph	1500	365	46
IRRH-3-6DP	76"	115v	5.1	1ph	3000	430	66
IRRH-4-8DP	101"	115v	5.1	1ph	3000	505	87