



30" COUNTER HIGH W/DRAWERS

MODULAR COMPONENTS

PROJECT _____

ITEM NO. _____



INTEGRAL CENTER POSITION OF DRAWER PULL WITH POLISHED TRIM CENTER POSITION PREVENTS ROCKING OF DRAWER



Detail of Standard Drawer



Detail of radius corner and tanked bottom

MODELS

REMOTE COUNTER HIGH - 30" BODY HEIGHT ALL DRAWERS

Length	Depth	#Sections	Model
<input type="checkbox"/> 33.1/4"32"1IRRH-1-03
<input type="checkbox"/> 63"32"2IRRH-2-06
<input type="checkbox"/> 92"32"3IRRH-3-09
<input type="checkbox"/> 121"32"4IRRH-4-012

SELF CONTAINED COUNTER HIGH - 30" BODY HT. ALL DRAWERS

Length	Depth	#Sections	Model
<input type="checkbox"/> 51.1/4"32"1IRSH-1-03
<input type="checkbox"/> 81"32"2IRSH-2-06
<input type="checkbox"/> 110"32"3IRSH-3-09
<input type="checkbox"/> 139"32"4IRSH-4-012

STANDARD FEATURES

- All Heli-arc welded construction
- All 18 gauge 304, 18/8 stainless steel interiors front face doors and door backs
- Polyurethane 'shot-in-place' insulation
- 3/8" interior corners
- Polypropylene breaker strip is foamed-locked in-place using no mechanical fasteners
- High compression non-magnetic vinyl door/drawer gasket
- Self-closing door hinges Kason
- Door latch Kason
- Pre-wired electrical conduit is internally installed within inner and outer walls
- Oversized blower coil with expansion valve, thermostat and solenoid valves
- Exclusive 14ga stainless steel drawer track system with 2" skate wheels

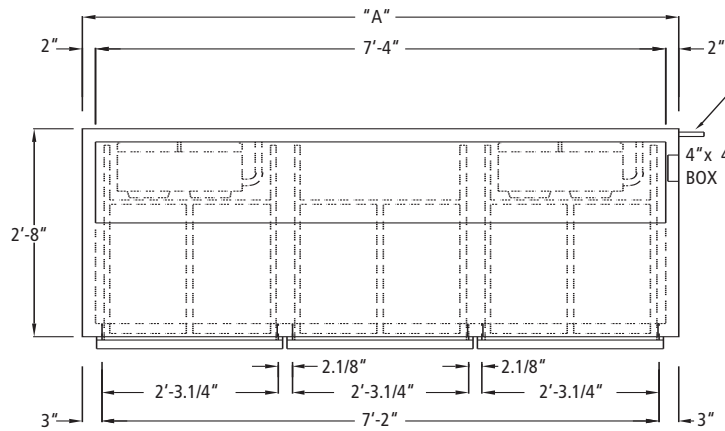
OPTIONS

- F Freezer
- SSPR Stainless Steel Right End Panel
- SSPL Stainless Steel Left End Panel
- AS All Stainless Steel Including Ends, Back and Bottom
- CO Cut-out in top (Specify Pan Size and Quantity)
- ST Stainless Steel Top
- NC Night Covers
- SSC Security Screen for Top Opening
- CS Casters
- SSKW Stainless Steel Skate Wheels
- DPL Locking Padlock Assembly for Drawers
- DT Dual Temp. Base
- M Custom / Modified Unit
- MD3 MD3 Mega Drawer (Accommodates three Full Size Pans Side by Side)
- 38PC NSF 7 Pan Chiller Rail / Maintains 38-Degree Product (Specify Pan Size and Quantity) Available on Counter High and Plate Shelf Bases Only.
- MG Magnetic Gasket



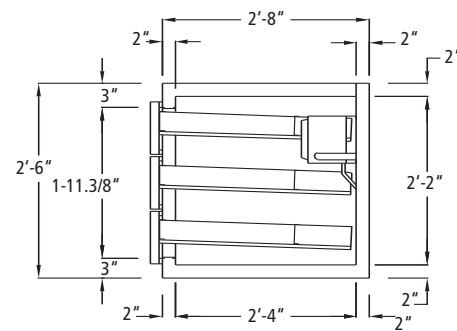
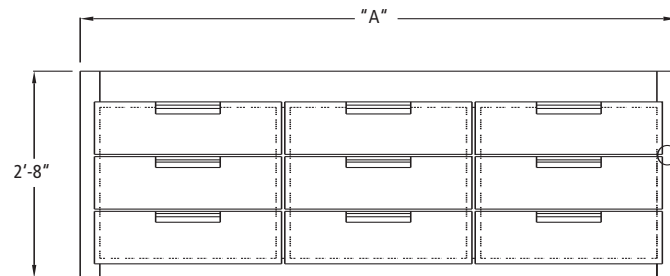
30" COUNTER HIGH W/DRAWERS

MODULAR COMPONENTS



REFRIG. AND DRAIN
LINE STUB-OUTS
(LEFT OR RIGHT)

4" x 4"
BOX



COUNTER HIGH REFRIGERATORS 30" BODY HEIGHT

SELF CONTAINED ALL DOORS

MODEL	DIMENSION 'A'	H.P	VOLTS	AMPS	PHASE	BTU'S	WEIGHT	CUBE
IRSH-1-03	51.1/4"	1/4 HP	115v	8.6	1ph	1000	555	46
IRSH-2-06	81"	1/3 HP	115v	10	1ph	2000	720	71
IRSH-3-09	110"	1/2 HP	115v	13.9	1ph	3000	830	98
IRSH-4-12	139"	1/2 HP	115v	13.9	1ph	3000	940	119

REMOTE UNITS ALL DOORS

MODEL	DIMENSION 'A'	VOLTS	AMPS	PHASE	BTU'S	WEIGHT	CUBE
IRRH-1-03	33.1/4"	115v	1	1ph	1000	325	31
IRRH-2-06	63"	115v	2	1ph	2000	455	56
IRRH-3-09	92"	115v	3	1ph	3000	575	77
IRRH-4-12	121"	115v	3	1ph	3000	665	104