



30" COUNTER HIGH COMBOS

MODULAR COMPONENTS

INTEGRAL CENTER POSITION OF DRAWER PULL WITH POLISHED TRIM CENTER POSITION PREVENTS ROCKING OF DRAWER

PROJECT _____

ITEM NO. _____



Detail of Standard Drawer



Detail of radius corner and tanked bottom

STANDARD FEATURES

- All Heli-arc welded construction
- All 18 gauge 304, 18/8 stainless steel interiors front face doors and door backs
- Polyurethane 'shot-in-place' insulation
- 3/8" interior corners
- Polypropylene breaker strip is foamed-locked in-place using no mechanical fasteners
- High compression non-magnetic vinyl door/drawer gasket
- Flush front drawer-pull (built-into-the-face) is centered eliminating wracking of drawer
- Drawers each accommodates two full size pans side-by-side
- Self-closing door hinges Kason
- Door latch Kason
- Pre-wired electrical conduit is internally installed within inner and outer walls
- Oversized blower coil with expansion valve, thermostat and solenoid valves
- Exclusive 14ga stainless steel drawer track system with 2" skate wheels
- Adjustable wire shelves

MODELS

REMOTE COUNTER HIGH - 30" BODY HT. COMBINATION UNITS

Length	Depth	#Sections	Model
<input type="checkbox"/> 59"	32"	2	IRRH-2-1-02
<input type="checkbox"/> 89"	32"	3	IRRH-3-1-04
<input type="checkbox"/> 84"	32"	3	IRRH-3-2-02
<input type="checkbox"/> 109"	32"	4	IRRH-4-3-02
<input type="checkbox"/> 114"	32"	4	IRRH-4-2-04
<input type="checkbox"/> 118"	32"	4	IRRH-4-1-06

SELF CONTAINED COUNTER HIGH - 30" BODY HT. COMBINATION UNITS

Length	Depth	#Sections	Model
<input type="checkbox"/> 77"	32"	2	IRSH-2-1-02
<input type="checkbox"/> 107"	32"	3	IRSH-3-1-04
<input type="checkbox"/> 102"	32"	3	IRSH-3-2-02
<input type="checkbox"/> 131"	32"	4	IRSH-4-3-02
<input type="checkbox"/> 136"	32"	4	IRSH-4-2-04
<input type="checkbox"/> 140"	32"	4	IRSH-4-1-06

OPTIONS

- F Freezer
- SSPR Stainless Steel Right End Panel
- SSPL Stainless Steel Left End Panel
- AS All Stainless Steel Including Ends, Back and Bottom
- CO Cut-out in top (Specify Pan Size and Quantity)
- ST Stainless Steel Top
- NC Night Covers
- SSC Security Screen for Top Opening
- SWS Stainless Steel Wire Racks
- GD Glass Doors
- TS Tray Slide Assembly for 18x26 Trays (Specify Sections)
- CS Casters
- SSKW Stainless Steel Skate Wheels
- PLD Locking Padlock Assembly for Doors
- DPL Locking Padlock Assembly for Drawers
- DT Dual Temp. Base
- M Custom / Modified Unit
- MD3 MD3 Mega Drawer (Accommodates three Full Size Pans Side by Side)
- 38PC NSF 7 Pan Chiller Rail / Maintains 38-Degree Product (Specify Pan Size and Quantity) Available on Counter High and Plate Shelf Bases Only.
- MG Magnetic Gasket



30" COUNTER HIGH COMBOS

MODULAR COMPONENTS

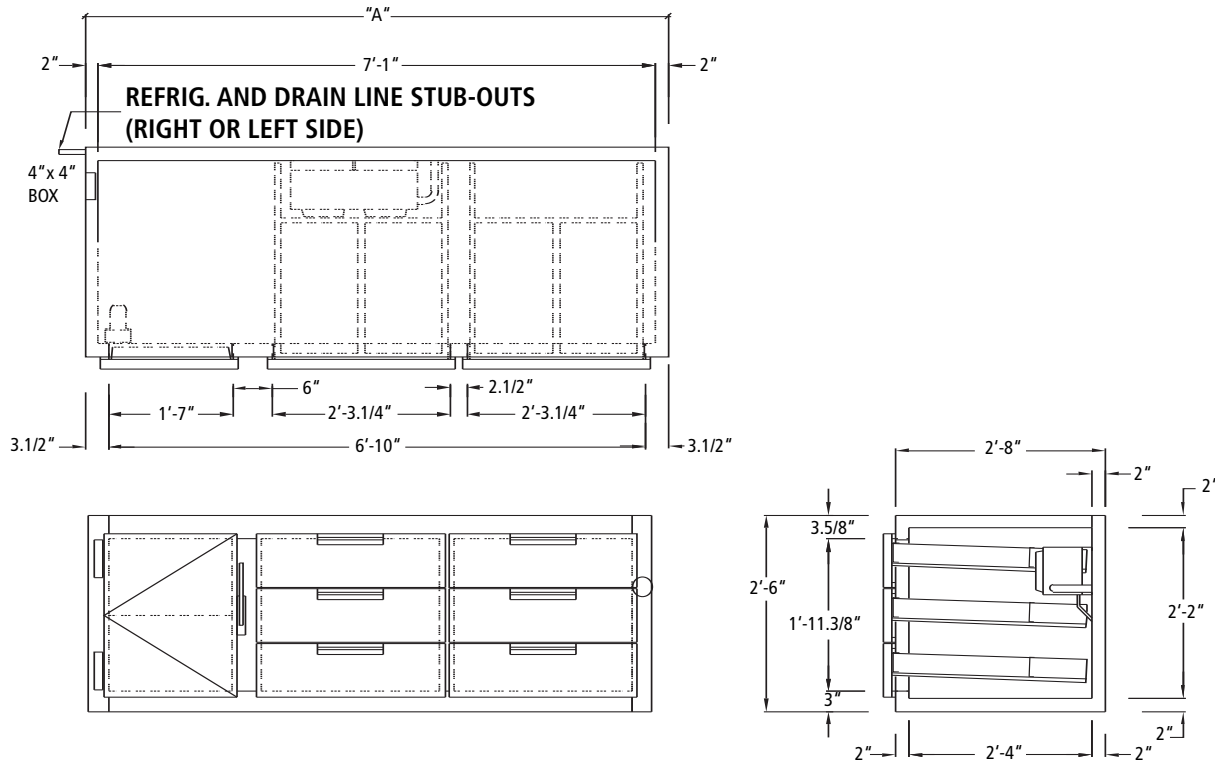


PLATE SHELF REFRIGERATORS COMBINATION UNITS 30" BODY HEIGHT

SELF CONTAINED COMBINATION ALL DOORS

DOORS	DRAWERS	MODEL	DIMENSION 'A'	H.P	VOLTS	AMPS	PHASE	BTU'S	WEIGHT	CUBE
1	2	IPRS-2-1-02	75"	1/3 HP	115v	10.5	1ph	2000	655	68
1	4	IPRS-3-1-04	105"	1/2 HP	115v	14.4	1ph	3000	735	93
2	2	IPRS-3-2-02	100"	1/2 HP	115v	14.9	1ph	3000	710	88
3	2	IPRS-4-3-02	125"	1/2 HP	115v	14.9	1ph	3000	815	113
2	4	IPRS-4-2-04	130"	1/2 HP	115v	14.9	1ph	3000	830	117
1	6	IPRS-4-1-06	134"	1/2 HP	115v	14.4	1ph	3000	855	120

REMOTE UNIT COMBINATION ALL DOORS

DOORS	DRAWERS	MODEL	DIMENSION 'A'	VOLTS	AMPS	PHASE	BTU'S	WEIGHT	CUBE
1	2	IPRR-2-1-02	59"	115v	2.6	1ph	2000	400	52
1	4	IPRR-3-1-04	89"	115v	3.6	1ph	3000	485	77
2	2	IPRR-3-2-02	84"	115v	4.1	1ph	3000	475	73
3	2	IPRR-4-3-02	109"	115v	4.1	1ph	3000	555	94
2	4	IPRR-4-2-04	114"	115v	4.1	1ph	3000	575	98
1	6	IPRR-4-1-06	118"	115v	3.6	1ph	3000	595	102