



3.5 BOWL SINK

MODULAR COMPONENTS

6" WIDE DUMP SINK PLACED ON LEFT UNLESS OTHERWISE SPECIFIED

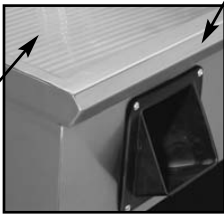
PROJECT _____

ITEM NO. _____



MODEL ISU35D-96 SHOWN WITH RTC - RUBBER TRASH CHUTE & TR - TOWEL RAIL

ATTRACTIVE POLISHED BULLNOSE



CONTINUOUS CORRUGATED



MODELS

'S' SERIES 20.1/2" DEEP WITH (3) - 10" x 14" x 10" AND (1) 6" x 14" x 10' BOWLS

Length	Model
<input type="checkbox"/> 60"	ISU3.5S-60
<input type="checkbox"/> 66"	ISU3.5S-66
<input type="checkbox"/> 72"	ISU3.5S-72
<input type="checkbox"/> 84"	ISU3.5S-84
<input type="checkbox"/> 96"	ISU3.5S-96
<input type="checkbox"/> 108"	ISU3.5S-108
<input type="checkbox"/> 120"	ISU3.5S-120

'D' SERIES 24" DEEP WITH 3 EACH 10" X 14" X 10" BOWLS

Length	Model
<input type="checkbox"/> 60"	ISU3.5D-60
<input type="checkbox"/> 66"	ISU3.5D-66
<input type="checkbox"/> 72"	ISU3.5D-72
<input type="checkbox"/> 84"	ISU3.5D-84
<input type="checkbox"/> 96"	ISU3.5D-96
<input type="checkbox"/> 108"	ISU3.5D-108
<input type="checkbox"/> 120"	ISU3.5D-120

STANDARD FEATURES

- All Heli-arc welded construction
- All 18 gauge type 304, 18/8 stainless steel
- Heavy duty stainless steel gussets welded to 14 gauge stainless steel channel supports
- Stainless steel adjustable Bullet feet
- Attractive high polished bullnose edge to front
- Sink bowls are seamless to drainboards
- Sink bowls are 18 gauge type 304, 18/8 stainless steel
- Standard bowl size 10" x 14" x 10" deep with 1.1/2" drain and standpipe overflow
- Drainboards are continuous corrugation
- Drainboards have 4" wide 18 gauge type 304, 18/8 stainless steel support channels
- Drainboards pitch positively into bowls
- 2 Deck mounted premium faucet with two 12" swing spouts

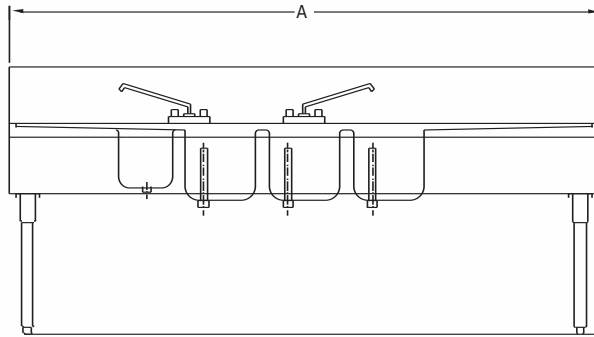
OPTIONS

- TR Towel Rail
- RTC Rubber Trash Chute in Front Apron
- LS Lift Out Strainer Basket For Bowls
- CB Cabinet Base
- RS10 Rack Storage for 10 X 20 Racks
- RS20 Rack Storage for 20 X 20 Racks
- TC Plastic Trash Can
- USS Undershelf
- USD Undershelf 'D' Series
- CA Cut Away Apron for Trash Can
- RP Removable Panels
- M Modified - Custom
- SBF Special Brand Faucet Available Upon Request

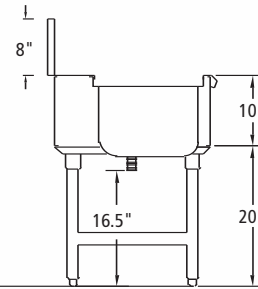


3.5 BOWL SINK

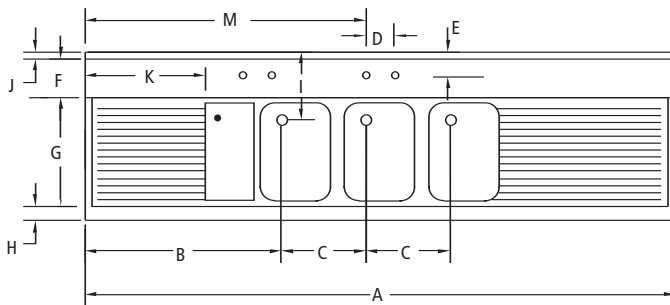
MODULAR COMPONENTS



ELEVATION



SECTION



PLAN

FOR SINKS LOCATED AT FAR LEFT OR RIGHT PLACE AN "R" OR "L" AT THE END OF THE MODEL NUMBER

EXAMPLE: ISU35D - 8L (LEFT HAND BOWLS)

'S' SERIES 20.1/2" DEEP WITH (3) - 10" X 14" X 10" AND (1) 6" X 14" X 10' BOWLS

MODEL No.	A	B	C	D	E	F	G	H	I	J	K	M	O	WEIGHT	CUBE
ISU3.5S - 60	60	10.3/4"	12.1/4"	4"	2"	2"	15.1/2"	2"	7.1/2"	1"	7	16	20"	150	20
ISU3.5S - 66	66	13.3/4"	12.1/4"	4"	2"	2"	15.1/2"	2"	7.1/2"	1"	10	19	20"	165	24
ISU3.5S - 72	72	16.3/4"	12.1/4"	4"	2"	2"	15.1/2"	2"	7.1/2"	1"	13	22	20"	175	24
ISU3.5S - 84	84	22.3/4"	12.1/4"	4"	2"	2"	15.1/2"	2"	7.1/2"	1"	19	28	20"	190	30
ISU3.5S - 96	96	28.3/4"	12.1/4"	4"	2"	2"	15.1/2"	2"	7.1/2"	1"	25	34	20"	220	34
ISU3.5S - 108	108	34.3/4"	12.1/4"	4"	2"	2"	15.1/2"	2"	7.1/2"	1"	31	40	20"	250	40
ISU3.5S - 120	120	40.3/4"	12.1/4"	4"	2"	2"	15.1/2"	2"	7.1/2"	1"	37	46	20"	275	44

'D' SERIES 24" DEEP WITH 3 EACH - 10" X 14" X 10" BOWLS

MODEL No.	A	B	C	D	E	F	G	H	I	J	K	M	N	O	WEIGHT	CUBE
ISU3.5D - 60	60	12	12.1/4"	4"	4.1/2"	5.1/2"	15.1/2"	2"	11"	1"	9	10	8.3/4"	20"	150	20
ISU3.5D - 66	66	15	12.1/4"	4"	4.1/2"	5.1/2"	15.1/2"	2"	11"	1"	12	13	8.3/4"	20"	165	24
ISU3.5D - 72	72	18	12.1/4"	4"	4.1/2"	5.1/2"	15.1/2"	2"	11"	1"	15	16	8.3/4"	20"	175	24
ISU3.5D - 84	84	24	12.1/4"	4"	4.1/2"	5.1/2"	15.1/2"	2"	11"	1"	21	22	8.3/4"	20"	190	30
ISU3.5D - 96	96	30	12.1/4"	4"	4.1/2"	5.1/2"	15.1/2"	2"	11"	1"	27	28	8.3/4"	20"	220	34
ISU3.5D - 108	108	36	12.1/4"	4"	4.1/2"	5.1/2"	15.1/2"	2"	11"	1"	33	34	8.3/4"	20"	250	40
ISU3.5D - 120	120	48	12.1/4"	4"	4.1/2"	5.1/2"	15.1/2"	2"	11"	1"	39	40	8.3/4"	20"	275	44

UTILITIES

COLD WATER	HOT WATER	DRAIN
2 x 1/2" COLD	2 x 1/2" HOT	4 x 1.1/2"