



# 21" LOW HEIGHT W/DRAWERS

## MODULAR COMPONENTS

INTEGRAL CENTER POSITION OF DRAWER PULL WITH POLISHED TRIM CENTER POSITION PREVENTS ROCKING OF DRAWER

PROJECT \_\_\_\_\_

ITEM NO. \_\_\_\_\_



Detail of Standard Drawer



Detail of radius corner and tanked bottom

### STANDARD FEATURES

- All Heli-arc welded construction
- All 18 gauge 304, 18/8 stainless steel interiors front face doors and door backs
- Polyurethane 'shot-in-place' insulation
- 3/8" interior corners
- Polypropylene breaker strip is foamed-locked in-place using no mechanical fasteners
- High compression non-magnetic vinyl door/drawer gasket
- Flush front drawer-pull (built-into-the-face) is centered eliminating wracking of drawer
- Drawers each accommodates two full size pans side-by-side
- Pre-wired electrical conduit is internally installed within inner and outer walls
- Oversized blower coil with expansion valve, thermostat and solenoid valves
- Exclusive 14ga stainless steel drawer track system with 2" skate wheels

### MODELS

#### REMOTE LOW HEIGHT - 21" BODY HEIGHT ALL DRAWERS

Length	Depth	#Sections	Model
<input type="checkbox"/> 33.1/4"	32"	1	IRRA-1-02
<input type="checkbox"/> 63"	32"	2	IRRA-2-04
<input type="checkbox"/> 92"	32"	3	IRRA-3-06
<input type="checkbox"/> 121"	32"	4	IRRA-4-08

#### SELF CONTAINED LOW HEIGHT - 21" BODY HT. ALL DRAWERS

Length	Depth	#Sections	Model
<input type="checkbox"/> 51.1/4"	32"	1	IRSA-1-02
<input type="checkbox"/> 81"	32"	2	IRSA-2-04
<input type="checkbox"/> 110"	32"	3	IRSA-3-06
<input type="checkbox"/> 139"	32"	4	IRSA-4-08

### OPTIONS

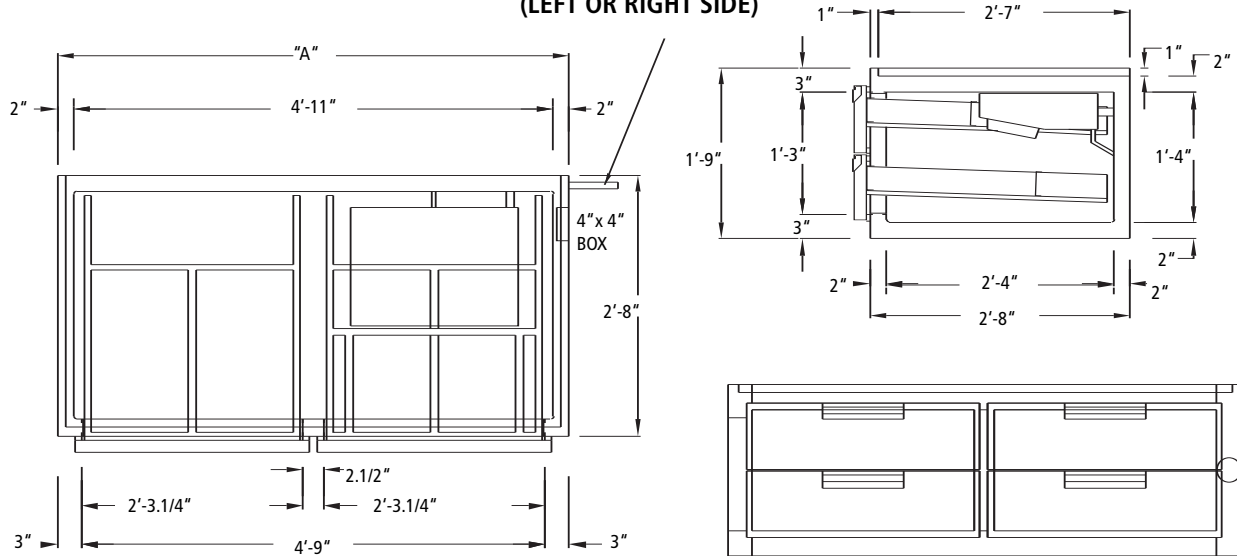
- SSPR Stainless Steel Right End Panel
- SSPL Stainless Steel Left End Panel
- AS All Stainless Steel Including Ends, Back and Bottom
- ST Stainless Steel Top
- CS Casters
- SSKW Stainless Steel Skate Wheels
- DPL Locking Padlock Assembly for Drawers
- DT Dual Temp. Base
- M Custom / Modified Unit
- MD3 MD3 Mega Drawer (Accommodates three Full Size Pans Side by Side)



# 21" LOW HEIGHT W/DRAWERS

## MODULAR COMPONENTS

### REFRIGERATION AND DRAIN LINE STUB-OUTS (LEFT OR RIGHT SIDE)



### LOW HEIGHT REFRIGERATORS 21" BODY HEIGHT

#### SELF CONTAINED ALL DOORS

MODEL	DIMENSION 'A'	H.P	VOLTS	AMPS	PHASE	BTU'S	WEIGHT	CUBE
IRSA-1-02	51.1/4"	1/4 HP	115v	8.2	1ph	1000	510	24
IRSA-2-04	81"	1/4 HP	115v	8.9	1ph	1300	570	43
IRSA-3-06	110"	1/3 HP	115v	9.3	1ph	1300	760	62
IRSA-4-08	139"	1/2 HP	115v	12.4	1ph	2600	1010	80

#### REMOTE UNITS ALL DOORS

MODEL	DIMENSION 'A'	VOLTS	AMPS	PHASE	BTU'S	WEIGHT	CUBE
IRRA-1-02	33.1/4"	115v	0.73	1ph	800	240	36
IRRA-2-04	63"	115v	1.5	1ph	1300	415	55
IRRA-3-06	92"	115v	1.5	1ph	1300	600	76
IRRA-4-08	121"	115v	3	1ph	2600	750	95