

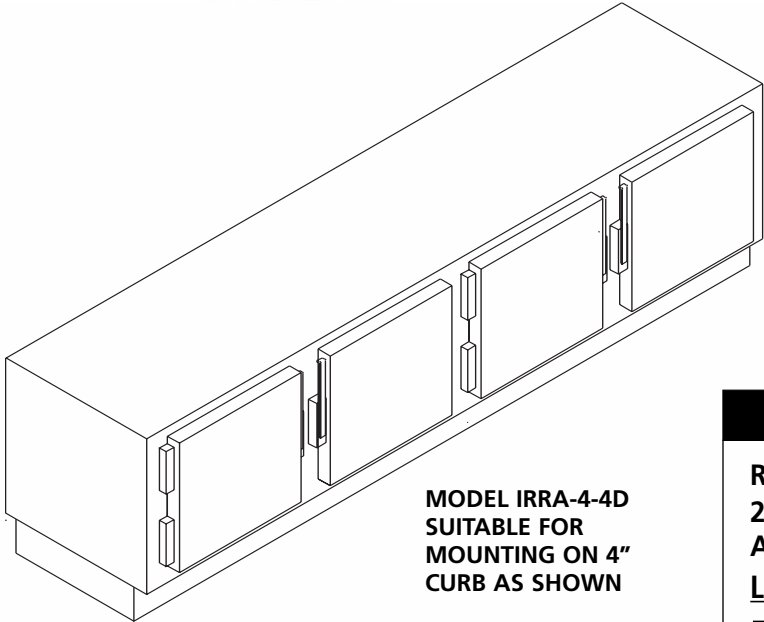


21" LOW HEIGHT W/DOORS

MODULAR COMPONENTS

PROJECT _____

ITEM NO. _____



**MODEL IRRA-4-4D
SUITABLE FOR
MOUNTING ON 4"
CURB AS SHOWN**



CONFORMS TO
ANSI/NSF STD 7



**Detail of radius corner
and tanked bottom**

STANDARD FEATURES

- All Heli-arc welded construction
- All 18 gauge 304, 18/8 stainless steel interiors front face doors and door backs
- Polyurethane 'shot-in-place' insulation
- 3/8" interior corners
- Polypropylene breaker strip is foamed-locked in-place using no mechanical fasteners
- High compression non-magnetic vinyl door/drawer gasket
- Self-closing door hinges Kason
- Door latch Kason
- Pre-wired electrical conduit is internally installed within inner and outer walls
- Oversized blower coil with expansion valve, thermostat and solenoid valves
- Adjustable wire shelves

MODELS

REMOTE LOW HEIGHT - 21" BODY HEIGHT FOR 4" CURB ALL DOORS

Length	Depth	#Sections	Model
<input type="checkbox"/> 26"	32"	1	IRRA-1-1D
<input type="checkbox"/> 51"	32"	2	IRRA-2-2D
<input type="checkbox"/> 76"	32"	3	IRRA-3-3D
<input type="checkbox"/> 101"	32"	4	IRRA-4-4D

SELF CONTAINED LOW HEIGHT - 21" BODY HEIGHT FOR 4" CURB ALL DOORS

Length	Depth	#Sections	Model
<input type="checkbox"/> 44"	32"	1	IRSA-1-1D
<input type="checkbox"/> 69"	32"	2	IRSA-2-2D
<input type="checkbox"/> 98"	32"	3	IRSA-3-3D
<input type="checkbox"/> 123"	32"	4	IRSA-4-4D

OPTIONS

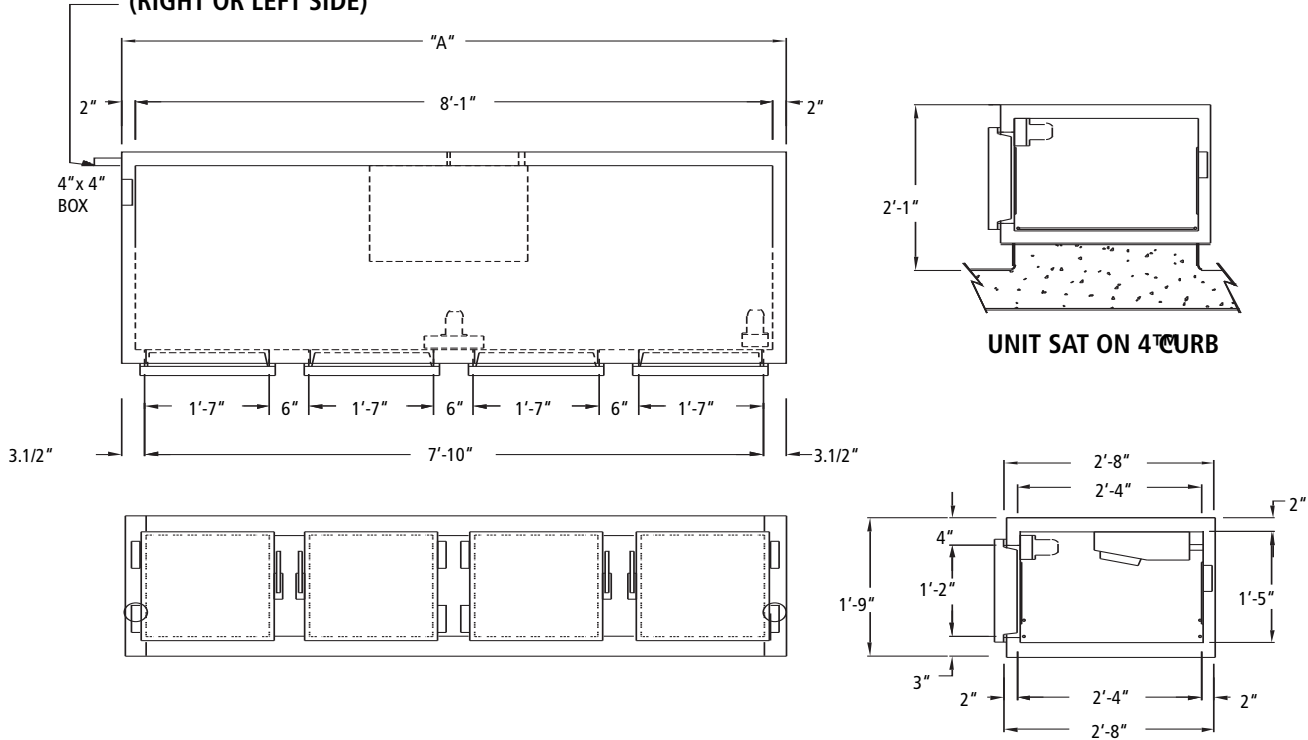
- F Freezer
- SSPR Stainless Steel Right End Panel
- SSPL Stainless Steel Left End Panel
- AS All Stainless Steel Including Ends, Back And Bottom
- ST Stainless Steel Top
- SWS Stainless Steel Wire Racks
- GD Glass Doors
- TS Tray Slide Assembly for 18x26 Trays (Specify Sections)
- CS Casters
- PLD Locking Padlock Assembly for Doors
- DT Dual Temp. Base
- M Custom / Modified Unit
- MG Magnetic Gasket



21" LOW HEIGHT W/DOORS

MODULAR COMPONENTS

REFRIGERATION AND DRAIN LINE STUB-OUTS (RIGHT OR LEFT SIDE)



LOW HEIGHT REFRIGERATORS 21" BODY HEIGHT

SELF CONTAINED ALL DOORS								
MODEL	DIMENSION 'A'	H.P	VOLTS	AMPS	PHASE	BTU'S	WEIGHT	CUBE
IRSA-1-1D	44"	1/4 HP	115v	8.8	1ph	1000	390	31
IRSA-2-2D	69"	1/4 HP	115v	9.1	1ph	1000	520	47
IRSA-3-3D	98"	1/3 HP	115v	10.1	1ph	1300	640	66
IRSA-4-4D	123"	1/3 HP	115v	10.1	1ph	1700	910	80

REMOTE UNITS ALL DOORS							
MODEL	DIMENSION 'A'	VOLTS	AMPS	PHASE	BTU'S	WEIGHT	CUBE
IRRA-1-1D	26"	115v	1.2	1ph	1000	200	19
IRRA-2-2D	51"	115v	1.7	1ph	1000	345	36
IRRA-3-3D	76"	115v	2.3	1ph	1300	480	51
IRRA-4-4D	101"	115v	2.3	1ph	1700	600	68