

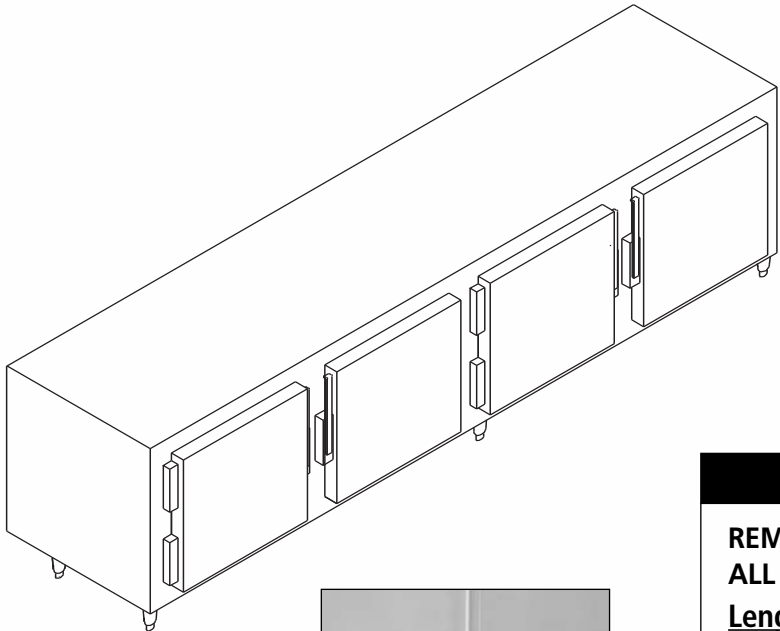


# 19" LOW HEIGHT W/DOORS

## MODULAR COMPONENTS

PROJECT \_\_\_\_\_

ITEM NO. \_\_\_\_\_



Detail of radius corner and tanked bottom



### MODELS

#### REMOTE LOW HEIGHT - 19" BODY HEIGHT ALL DOORS

Length	Depth	#Sections	Model
<input type="checkbox"/> 26"	.....32"	.....1	.....IRRL-1-1D
<input type="checkbox"/> 51"	.....32"	.....2	.....IRRL-2-2D
<input type="checkbox"/> 76"	.....32"	.....3	.....IRRL-3-3D
<input type="checkbox"/> 101"	.....32"	.....4	.....IRRL-4-4D

#### SELF CONTAINED LOW HEIGHT - 19" BODY HT. ALL DOORS

Length	Depth	#Sections	Model
<input type="checkbox"/> 44"	.....32"	.....1	.....IRSL-1-1D
<input type="checkbox"/> 69"	.....32"	.....2	.....IRSL-2-2D
<input type="checkbox"/> 98"	.....32"	.....3	.....IRSL-3-3D
<input type="checkbox"/> 123"	.....32"	.....4	.....IRSL-4-4D

### STANDARD FEATURES

- All Heli-arc welded construction
- All 18 gauge 304, 18/8 stainless steel interiors front face doors and door backs
- Polyurethane 'shot-in-place' insulation
- 3/8" interior corners
- Polypropylene breaker strip is foamed-locked in-place using no mechanical fasteners
- High compression non-magnetic vinyl door/drawer gasket
- Self-closing door hinges Kason
- Door latch Kason
- Pre-wired electrical conduit is internally installed within inner and outer walls
- Oversized blower coil with expansion valve, thermostat and solenoid valves
- Adjustable wire shelves

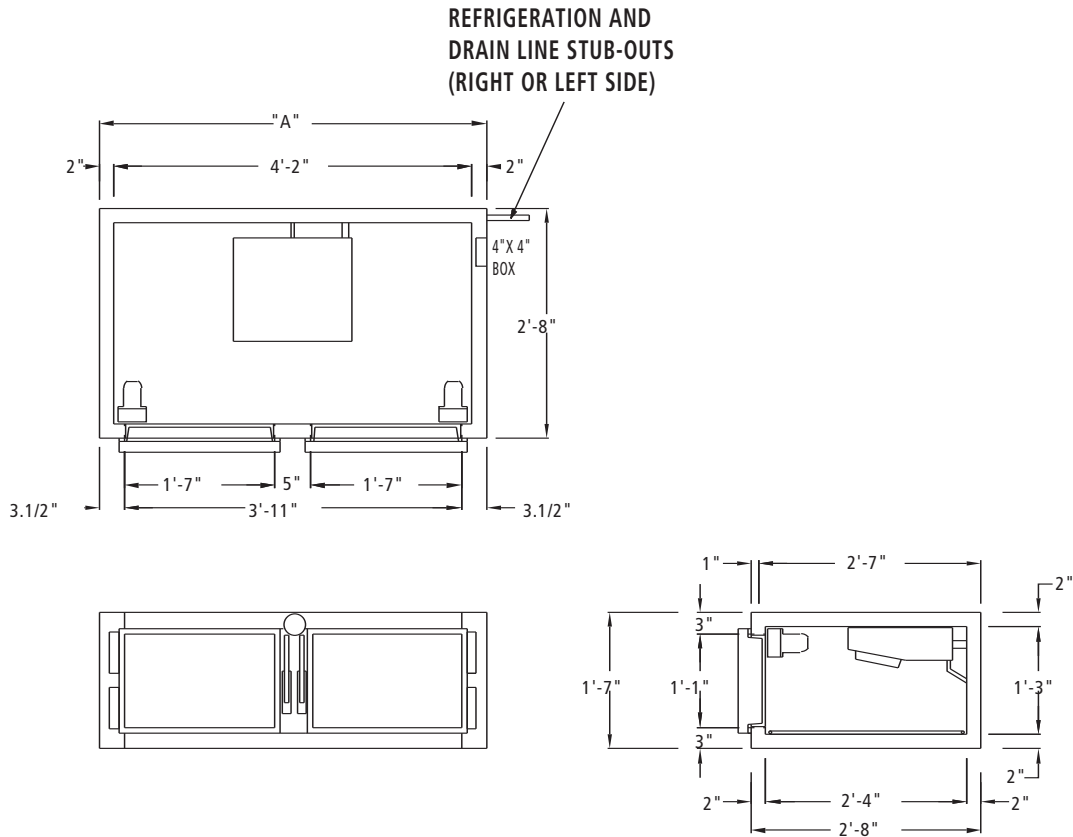
### OPTIONS

- F Freezer
- SSPR Stainless Steel Right End Panel
- SSPL Stainless Steel Left End Panel
- AS All Stainless Steel Including Ends, Back And Bottom
- ST Stainless Steel Top
- SWS Stainless Steel Wire Racks
- GD Glass Doors
- TS Tray Slide Assembly for 18x26 Trays (Specify Sections)
- CS Casters
- PLD Locking Padlock Assembly for Doors
- DT Dual Temp. Base
- M Custom / Modified Unit
- MG Magnetic Gasket



# 19" LOW HEIGHT W/DOORS

## MODULAR COMPONENTS



### LOW HEIGHT REFRIGERATORS 19" BODY HEIGHT

SELF CONTAINED ALL DOORS								
MODEL	DIMENSION 'A'	H.P	VOLTS	AMPS	PHASE	BTU'S	WEIGHT	CUBE
IRSL-1-1D	44"	1/4 HP	115v	8.8	1ph	1000	350	29
IRSL-2-2D	69"	1/4 HP	115v	9.1	1ph	1000	480	44
IRSL-3-3D	98"	1/3 HP	115v	10.1	1ph	1300	600	62
IRSL-4-4D	123"	1/3 HP	115v	10.1	1ph	1700	850	76

REMOTE UNITS ALL DOORS							
MODEL	DIMENSION 'A'	VOLTS	AMPS	PHASE	BTU'S	WEIGHT	CUBE
IRRL-1-1D	26"	115v	1.2	1ph	1000	180	18
IRRL-2-2D	51"	115v	1.7	1ph	1000	310	33
IRRL-3-3D	76"	115v	2.3	1ph	1300	440	48
IRRL-4-4D	101"	115v	2.3	1ph	1700	550	64