



19" LOW HEIGHT COMBOS

MODULAR COMPONENTS

INTEGRAL CENTER POSITION OF DRAWER
PULL WITH POLISHED TRIM CENTER
POSITION PREVENTS ROCKING OF DRAWER



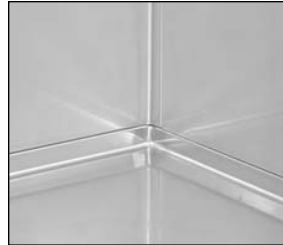
CONFORMS TO
ANSI/NSF STD 7

PROJECT _____

ITEM NO. _____



Detail of Standard
Drawer



Detail of radius corner
and tanked bottom

STANDARD FEATURES

- All Heli-arc welded construction
- All 18 gauge 304, 18/8 stainless steel interiors front face doors and door backs
- Polyurethane 'shot-in-place' insulation
- 3/8" interior corners
- Polypropylene breaker strip is foamed-locked in-place using no mechanical fasteners
- High compression non-magnetic vinyl door/drawer gasket
- Flush front drawer-pull (built-into-the-face) is centered eliminating wracking of drawer
- Drawers each accommodates two full size pans side-by-side
- Self-closing door hinges Kason
- Door latch Kason
- Pre-wired electrical conduit is internally installed within inner and outer walls
- Oversized blower coil with expansion valve, thermostat and solenoid valves
- Exclusive 14ga stainless steel drawer track system with 2" skate wheels
- Adjustable wire shelves

MODELS

REMOTE LOW HEIGHT - 19" BODY HT. COMBINATION UNITS

Length	Depth	#Sections	Model
<input type="checkbox"/> 59"	32"	2	IRRL-2-1-02
<input type="checkbox"/> 89"	32"	3	IRRL-3-1-04
<input type="checkbox"/> 84"	32"	3	IRRL-3-2-02
<input type="checkbox"/> 109"	32"	4	IRRL-4-3-02
<input type="checkbox"/> 114"	32"	4	IRRL-4-2-04
<input type="checkbox"/> 118"	32"	4	IRRL-4-1-06

SELF CONTAINED LOW HEIGHT - 19" BODY HT. COMBINATION UNITS

Length	Depth	#Sections	Model
<input type="checkbox"/> 77"	32"	2	IRSL-2-1-02
<input type="checkbox"/> 107"	32"	3	IRSL-3-1-04
<input type="checkbox"/> 102"	32"	3	IRSL-3-2-02
<input type="checkbox"/> 131"	32"	4	IRSL-4-3-02
<input type="checkbox"/> 136"	32"	4	IRSL-4-2-04
<input type="checkbox"/> 140"	32"	4	IRSL-4-1-06

OPTIONS

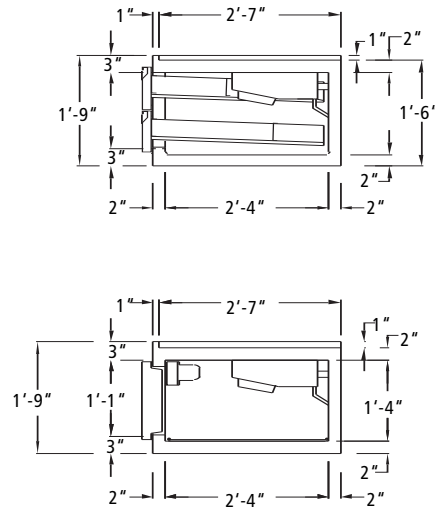
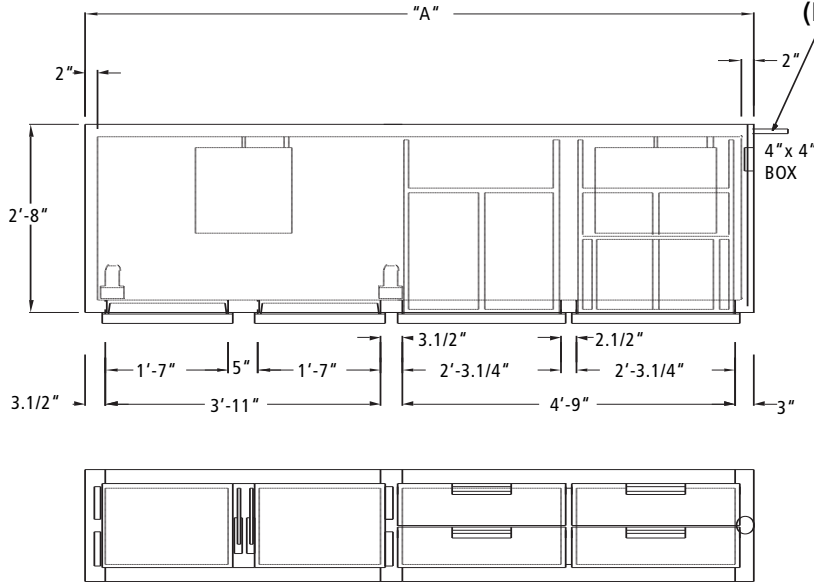
- F Freezer
- SSPR Stainless Steel Right End Panel
- SSPL Stainless Steel Left End Panel
- AS All Stainless Steel Including Ends, Back and Bottom
- CO Cut-out in top (Specify Pan Size and Quantity)
- ST Stainless Steel Top
- NC Night Covers
- SSC Security Screen for Top Opening
- SWS Stainless Steel Wire Racks
- GD Glass Doors
- TS Tray Slide Assembly for 18x26 Trays (Specify Sections)
- CS Casters
- SSKW Stainless Steel Skate Wheels
- PLD Locking Padlock Assembly for Doors
- DPL Locking Padlock Assembly for Drawers
- DT Dual Temp. Base
- M Custom / Modified Unit
- MD3 MD3 Mega Drawer (Accommodates three Full Size Pans Side by Side)
- MG Magnetic Gasket



19" LOW HEIGHT COMBOS

MODULAR COMPONENTS

REFRIGERATION AND DRAIN LINE STUB-OUTS (RIGHT OR LEFT SIDE)



LOW HEIGHT REFRIGERATORS 19" BODY HEIGHT

SELF CONTAINED ALL DOORS

DOORS	DRAWERS	MODEL	DIMENSION 'A'	H.P	VOLTS	AMPS	PHASE	BTU'S	WEIGHT	CUBE
1	2	IRSL-2-1-02	77"	1/3 HP	115v	9.3	1ph	1300	575	47
1	4	IRSL-3-1-04	107"	1/3 HP	115v	9.3	1ph	1300	820	67
2	2	IRSL-3-2-02	102"	1/3 HP	115v	10.3	1ph	1300	790	64
3	2	IRSL-4-3-02	131"	1/3 HP	115v	10.3	1ph	1700	1090	82
2	4	IRSL-4-2-04	136"	1/2 HP	115v	13.2	1ph	2000	1130	85
1	6	IRSL-4-1-06	140"	1/2 HP	115v	12.7	1ph	2000	1190	87

REMOTE UNIT ALL DOORS

DOORS	DRAWERS	MODEL	DIMENSION 'A'	VOLTS	AMPS	PHASE	BTU'S	WEIGHT	CUBE
1	2	IRRL-2-1-02	59"	115v	1.3	1ph	1300	415	37
1	4	IRRL-3-1-04	89"	115v	1.3	1ph	1300	660	56
2	2	IRRL-3-2-02	84"	115v	2.3	1ph	1300	630	53
3	2	IRRL-4-3-02	109"	115v	2.3	1ph	1700	910	68
2	4	IRRL-4-2-04	114"	115v	2.3	1ph	2000	950	71
1	6	IRRL-4-1-06	118"	115v	1.9	1ph	2000	1010	74