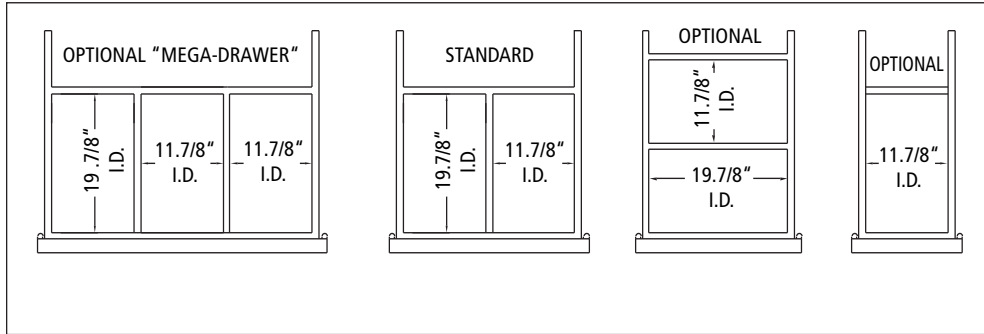
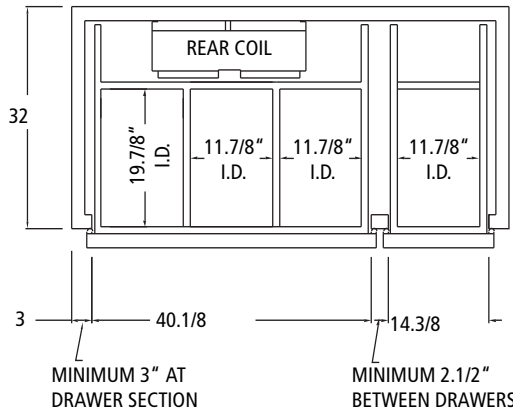




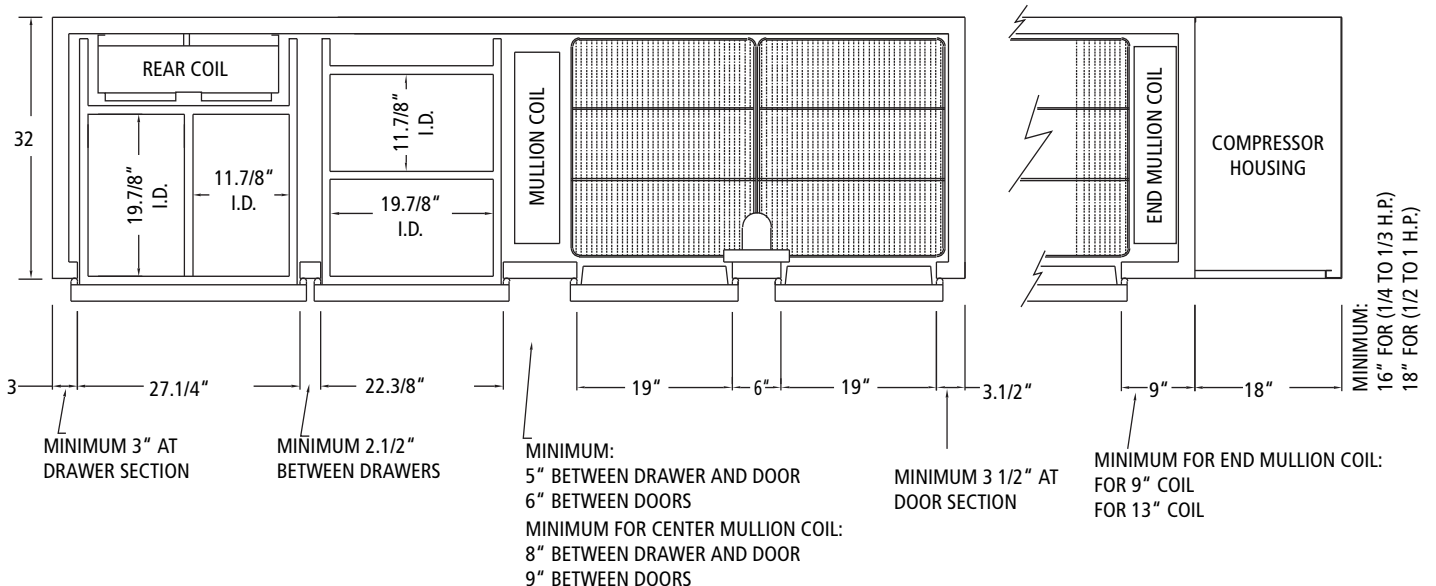
**DESIGN STANDARDS FOR DEVELOPING
CUSTOM REFRIGERATORS UNITS**



AVAILABLE DRAWER CONFIGURATIONS



# OF PANS PER DRAWER	DRAWER OPENING WIDTH
1 ea. 12" X 20"	14.3/8"
2 ea. 12" X 20"	22.3/8"
2 ea. 12" X 20"	27.1/2"
3 ea. 12" X 20"	40.1/8"



MINIMUM:
16" FOR (1/4 TO 1/3 H.P.)
18" FOR (1/2 TO 1 H.P.)



UNDERCOUNTER NOMENCLATURE

IX () () - X - XX - X - X - X - M
(1) (2) (3) (4) (5) (6) (7) (8) CUSTOM

POSITION (1)		POSITION (2)		POSITION (3)		POSITION (4)	
R	REFRIGERATORS	R	REMOTE	L	19" BODY HEIGHT	1	ONE SECTION
PR	PLATE REFRIGERATORS	S	SELF CONTAINED	A	21" BODY HEIGHT	2	TWO SECTIONS
				H	30" BODY HEIGHT	3	THREE SECTIONS
						4	FOUR SECTIONS

POSITION (5)		POSITION (6)		POSITION (7)		POSITION (8)	
1D	ONE DOOR	P	PASS THROUGH	A	LAMINATED DOORS	()	OPTIONS
2D	TWO DOORS			B	STAINLESS STEEL DOORS		
3D	THREE DOORS			C	FIELD LAMINATED DOORS		
4D	FOUR DOORS						
02	TWO DRAWERS						
03	THREE DRAWERS						
04	FOUR DRAWERS						
06	SIX DRAWERS						
08	EIGHT DRAWERS						
09	NINE DRAWERS						
12	TWELVE DRAWERS						



UNDERCOUNTER NOMENCLATURE

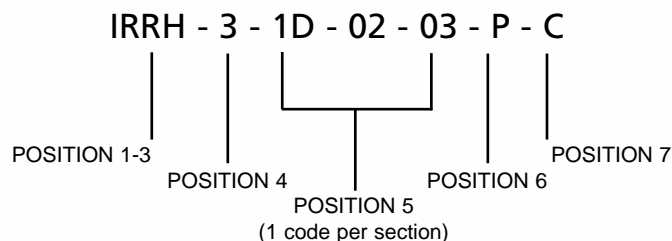
IX () () - X - XX - X - X - X - M
(1) (2) (3) (4) (5)* (6) (7) (8) CUSTOM

POSITION (1)	POSITION (2)	POSITION (3)	POSITION (4)
R REFRIGERATORS	R - REMOTE	L - 19" BODY HEIGHT	1 - ONE SECTION
PR PLATE REFRIGERATORS	S - SELF CONTAINED	A - 21" BODY HEIGHT	2 - TWO SECTIONS
		H - 30" BODY HEIGHT	3 - THREE SECTIONS
			4 - FOUR SECTIONS

POSITION (5)	POSITION (6)	POSITION (7)	POSITION (8)
1D - ONE DOOR 2D - TWO DOORS 3D - THREE DOORS 4D - FOUR DOORS 02 - TWO DRAWERS 03 - THREE DRAWERS 04 - FOUR DRAWERS 06 - SIX DRAWERS 08 - EIGHT DRAWERS 09 - NINE DRAWERS 12 - TWELVE DRAWERS	P - PASS THROUGH	A - LAMINATED DOORS B - STAINLESS STEEL DOORS C - FIELD LAMINATED DOORS	() OPTIONS

* If you choose a multiple section unit you will need to specify an option from POSITION 5 for each one of the individual sections:

EXAMPLE: If you are ordering a refrigerators unit, with remote, 30" body height, 3 sections, with pass through and field laminated doors, the part number would be:



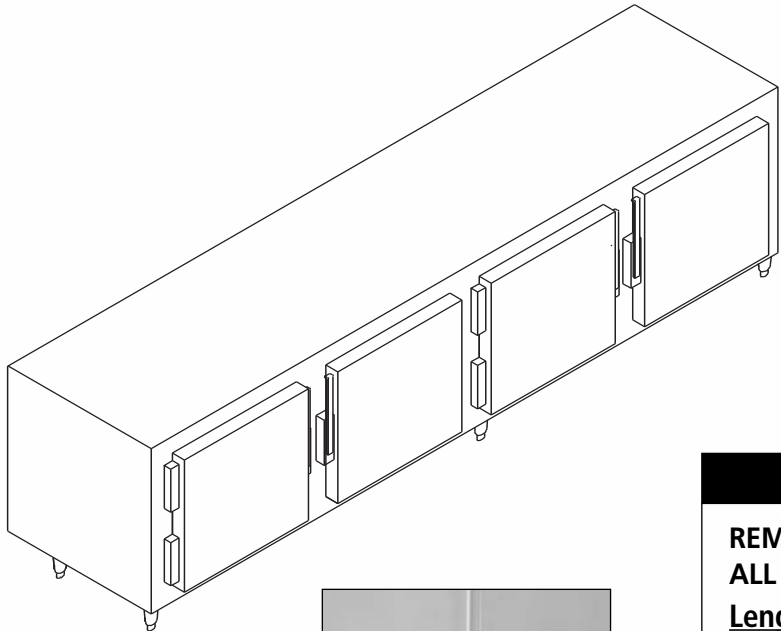


19" LOW HEIGHT W/DOORS

MODULAR COMPONENTS

PROJECT _____

ITEM NO. _____



Detail of radius corner and tanked bottom



MODELS

REMOTE LOW HEIGHT - 19" BODY HEIGHT ALL DOORS

Length	Depth	#Sections	Model
<input type="checkbox"/> 26"32"1IRRL-1-1D
<input type="checkbox"/> 51"32"2IRRL-2-2D
<input type="checkbox"/> 76"32"3IRRL-3-3D
<input type="checkbox"/> 101"32"4IRRL-4-4D

SELF CONTAINED LOW HEIGHT - 19" BODY HT. ALL DOORS

Length	Depth	#Sections	Model
<input type="checkbox"/> 44"32"1IRSL-1-1D
<input type="checkbox"/> 69"32"2IRSL-2-2D
<input type="checkbox"/> 98"32"3IRSL-3-3D
<input type="checkbox"/> 123"32"4IRSL-4-4D

STANDARD FEATURES

- All Heli-arc welded construction
- All 18 gauge 304, 18/8 stainless steel interiors front face doors and door backs
- Polyurethane 'shot-in-place' insulation
- 3/8" interior corners
- Polypropylene breaker strip is foamed-locked in-place using no mechanical fasteners
- High compression non-magnetic vinyl door/drawer gasket
- Self-closing door hinges Kason
- Door latch Kason
- Pre-wired electrical conduit is internally installed within inner and outer walls
- Oversized blower coil with expansion valve, thermostat and solenoid valves
- Adjustable wire shelves

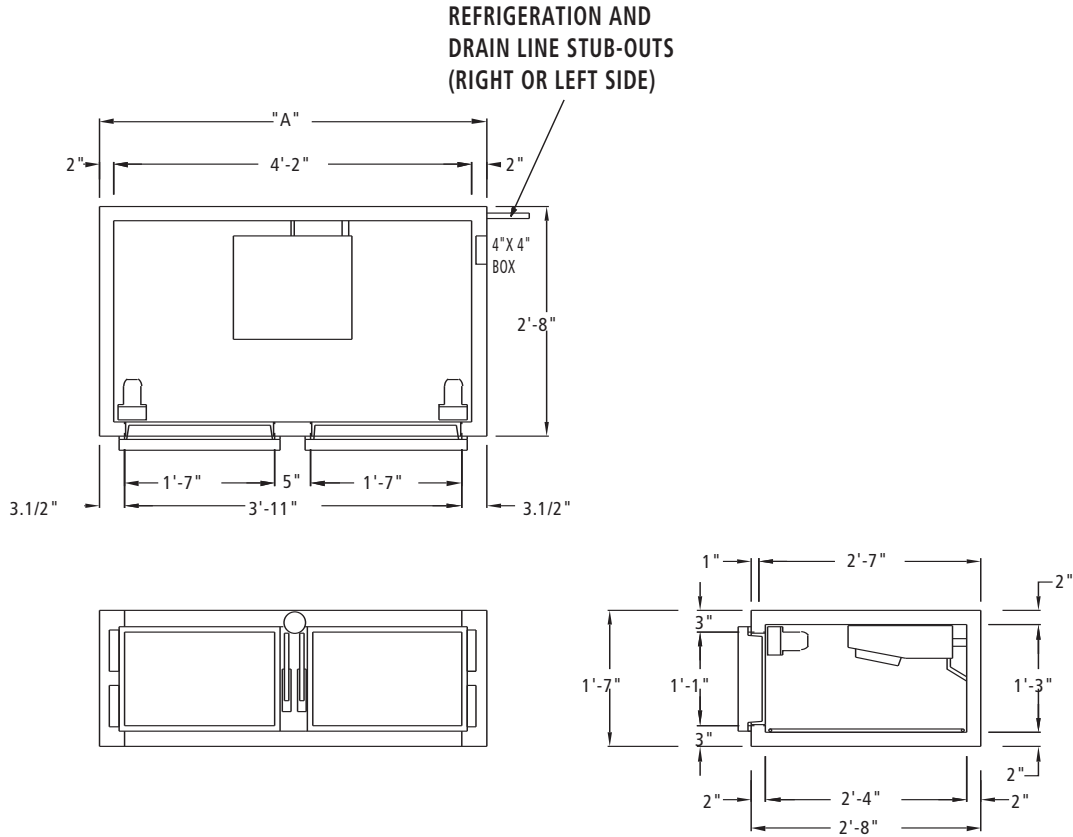
OPTIONS

- F Freezer
- SSPR Stainless Steel Right End Panel
- SSPL Stainless Steel Left End Panel
- AS All Stainless Steel Including Ends, Back And Bottom
- ST Stainless Steel Top
- SWS Stainless Steel Wire Racks
- GD Glass Doors
- TS Tray Slide Assembly for 18x26 Trays (Specify Sections)
- CS Casters
- PLD Locking Padlock Assembly for Doors
- DT Dual Temp. Base
- M Custom / Modified Unit
- MG Magnetic Gasket



19" LOW HEIGHT W/DOORS

MODULAR COMPONENTS



LOW HEIGHT REFRIGERATORS 19" BODY HEIGHT

SELF CONTAINED ALL DOORS								
MODEL	DIMENSION 'A'	H.P	VOLTS	AMPS	PHASE	BTU'S	WEIGHT	CUBE
IRSL-1-1D	44"	1/4 HP	115v	8.8	1ph	1000	350	29
IRSL-2-2D	69"	1/4 HP	115v	9.1	1ph	1000	480	44
IRSL-3-3D	98"	1/3 HP	115v	10.1	1ph	1300	600	62
IRSL-4-4D	123"	1/3 HP	115v	10.1	1ph	1700	850	76

REMOTE UNITS ALL DOORS							
MODEL	DIMENSION 'A'	VOLTS	AMPS	PHASE	BTU'S	WEIGHT	CUBE
IRRL-1-1D	26"	115v	1.2	1ph	1000	180	18
IRRL-2-2D	51"	115v	1.7	1ph	1000	310	33
IRRL-3-3D	76"	115v	2.3	1ph	1300	440	48
IRRL-4-4D	101"	115v	2.3	1ph	1700	550	64



19" LOW HEIGHT W/DRAWERS

MODULAR COMPONENTS

INTEGRAL CENTER POSITION OF DRAWER
PULL WITH POLISHED TRIM CENTER
POSITION PREVENTS ROCKING OF DRAWER

PROJECT _____

ITEM NO. _____



Detail of Standard Drawer



Detail of radius corner and tanked bottom

STANDARD FEATURES

- All Heli-arc welded construction
- All 18 gauge 304, 18/8 stainless steel interiors front face doors and door backs
- Polyurethane 'shot-in-place' insulation
- 3/8" interior corners
- Polypropylene breaker strip is foamed-locked in-place using no mechanical fasteners
- High compression non-magnetic vinyl door/drawer gasket
- Flush front drawer-pull (built-into-the-face) is centered eliminating rocking of drawer
- Drawers each accommodates two full size pans side-by-side
- Pre-wired electrical conduit is internally installed within inner and outer walls
- Oversized blower coil with expansion valve, thermostat and solenoid valves
- Exclusive 14ga stainless steel drawer track system with 2" skate wheels

MODELS

REMOTE LOW HEIGHT - 19" BODY HEIGHT ALL DRAWERS

Length	Depth	#Sections	Model
<input type="checkbox"/> 33.1/4"	32"	1	IRRL-1-02
<input type="checkbox"/> 63"	32"	2	IRRL-2-04
<input type="checkbox"/> 92"	32"	3	IRRL-3-06
<input type="checkbox"/> 121"	32"	4	IRRL-4-08

SELF CONTAINED LOW HEIGHT - 19" BODY HEIGHT ALL DRAWERS

Length	Depth	#Sections	Model
<input type="checkbox"/> 51.1/4"	32"	1	IRSL-1-02
<input type="checkbox"/> 81"	32"	2	IRSL-2-04
<input type="checkbox"/> 110"	32"	3	IRSL-3-06
<input type="checkbox"/> 139"	32"	4	IRSL-4-08

OPTIONS

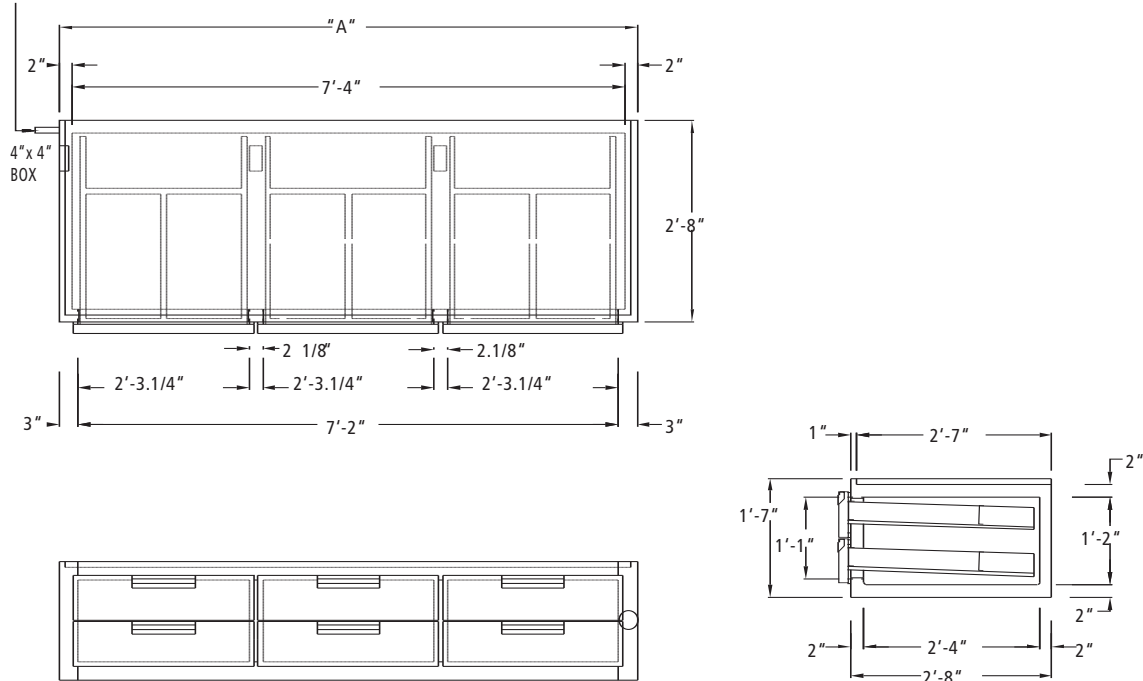
- F Freezer
- SSPL Stainless Steel Right End Panel
- SSPL Stainless Steel Left End Panel
- AS All Stainless Steel Including Ends, Back and Bottom
- ST Stainless Steel Top
- CS Casters
- SSKW Stainless Steel Skate Wheels
- DPL Locking Padlock Assembly for Drawers
- DT Dual Temp. Base
- M Custom / Modified Unit
- MD3 MD3 Mega Drawer (Accommodates three Full Size Pans Side by Side)
- MG Magnetic Gasket



19" LOW HEIGHT W/DRAWERS

MODULAR COMPONENTS

REFRIGERATION AND DRAIN LINE
STUB OUT (RIGHT OR LEFT SIDE)



LOW HEIGHT REFRIGERATORS 19" BODY HEIGHT

SELF CONTAINED ALL DOORS								
MODEL	DIMENSION 'A'	H.P	VOLTS	AMPS	PHASE	BTU'S	WEIGHT	CUBE
IRSL-1-02	51.1/4"	1/4 HP	115v	8.2	1ph	1000	480	33
IRSL-2-04	81"	1/4 HP	115v	8.9	1ph	1300	550	51
IRSL-3-06	110"	1/3 HP	115v	9.3	1ph	1300	720	71
IRSL-4-08	139"	1/2 HP	115v	12.4	1ph	2600	970	88

REMOTE UNITS ALL DOORS							
MODEL	DIMENSION 'A'	VOLTS	AMPS	PHASE	BTU'S	WEIGHT	CUBE
IRRL-1-02	33.1/4"	115v	0.73	1ph	800	220	22
IRRL-2-04	63"	115v	1.5	1ph	1300	390	40
IRRL-3-06	92"	115v	1.5	1ph	1300	560	58
IRRL-4-08	121"	115v	3	1ph	2600	710	75



19" LOW HEIGHT COMBOS

MODULAR COMPONENTS

INTEGRAL CENTER POSITION OF DRAWER
PULL WITH POLISHED TRIM CENTER
POSITION PREVENTS ROCKING OF DRAWER



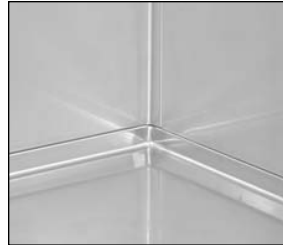
CONFORMS TO
ANSI/NSF STD 7

PROJECT _____

ITEM NO. _____



Detail of Standard
Drawer



Detail of radius corner
and tanked bottom

STANDARD FEATURES

- All Heli-arc welded construction
- All 18 gauge 304, 18/8 stainless steel interiors front face doors and door backs
- Polyurethane 'shot-in-place' insulation
- 3/8" interior corners
- Polypropylene breaker strip is foamed-locked in-place using no mechanical fasteners
- High compression non-magnetic vinyl door/drawer gasket
- Flush front drawer-pull (built-into-the-face) is centered eliminating wracking of drawer
- Drawers each accommodates two full size pans side-by-side
- Self-closing door hinges Kason
- Door latch Kason
- Pre-wired electrical conduit is internally installed within inner and outer walls
- Oversized blower coil with expansion valve, thermostat and solenoid valves
- Exclusive 14ga stainless steel drawer track system with 2" skate wheels
- Adjustable wire shelves

MODELS

REMOTE LOW HEIGHT - 19" BODY HT. COMBINATION UNITS

Length	Depth	#Sections	Model
<input type="checkbox"/> 59"	32"	2	IRRL-2-1-02
<input type="checkbox"/> 89"	32"	3	IRRL-3-1-04
<input type="checkbox"/> 84"	32"	3	IRRL-3-2-02
<input type="checkbox"/> 109"	32"	4	IRRL-4-3-02
<input type="checkbox"/> 114"	32"	4	IRRL-4-2-04
<input type="checkbox"/> 118"	32"	4	IRRL-4-1-06

SELF CONTAINED LOW HEIGHT - 19" BODY HT. COMBINATION UNITS

Length	Depth	#Sections	Model
<input type="checkbox"/> 77"	32"	2	IRSL-2-1-02
<input type="checkbox"/> 107"	32"	3	IRSL-3-1-04
<input type="checkbox"/> 102"	32"	3	IRSL-3-2-02
<input type="checkbox"/> 131"	32"	4	IRSL-4-3-02
<input type="checkbox"/> 136"	32"	4	IRSL-4-2-04
<input type="checkbox"/> 140"	32"	4	IRSL-4-1-06

OPTIONS

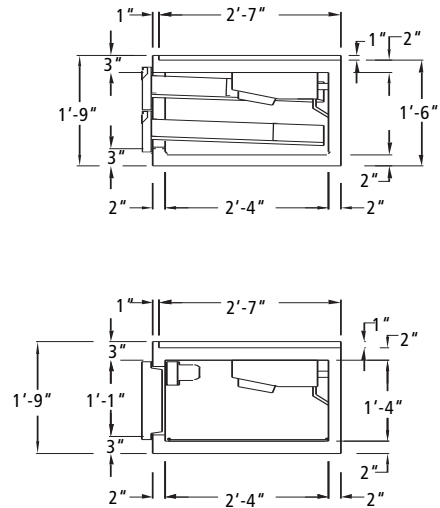
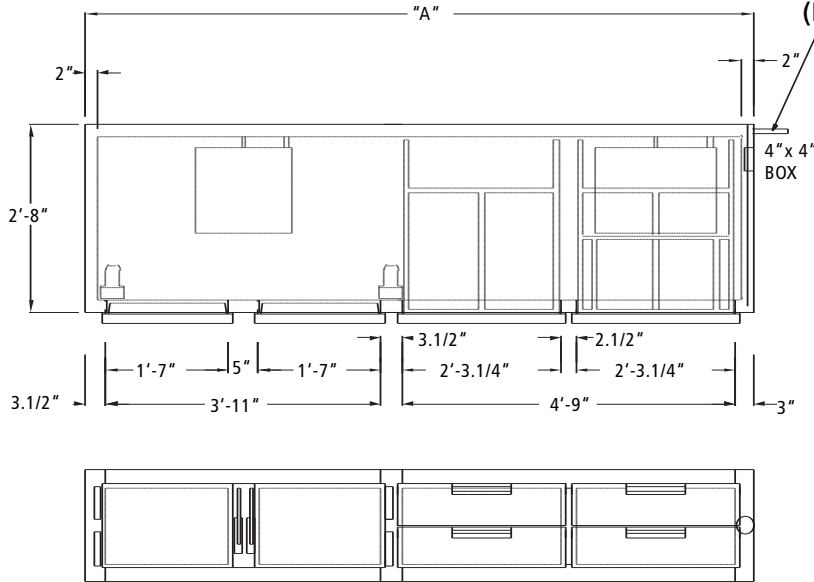
- F Freezer
- SSPR Stainless Steel Right End Panel
- SSPL Stainless Steel Left End Panel
- AS All Stainless Steel Including Ends, Back and Bottom
- CO Cut-out in top (Specify Pan Size and Quantity)
- ST Stainless Steel Top
- NC Night Covers
- SSC Security Screen for Top Opening
- SWS Stainless Steel Wire Racks
- GD Glass Doors
- TS Tray Slide Assembly for 18x26 Trays (Specify Sections)
- CS Casters
- SSKW Stainless Steel Skate Wheels
- PLD Locking Padlock Assembly for Doors
- DPL Locking Padlock Assembly for Drawers
- DT Dual Temp. Base
- M Custom / Modified Unit
- MD3 MD3 Mega Drawer (Accommodates three Full Size Pans Side by Side)
- MG Magnetic Gasket



19" LOW HEIGHT COMBOS

MODULAR COMPONENTS

REFRIGERATION AND DRAIN LINE STUB-OUTS (RIGHT OR LEFT SIDE)



LOW HEIGHT REFRIGERATORS 19" BODY HEIGHT

SELF CONTAINED ALL DOORS

DOORS	DRAWERS	MODEL	DIMENSION 'A'	H.P	VOLTS	AMPS	PHASE	BTU'S	WEIGHT	CUBE
1	2	IRSL-2-1-02	77"	1/3 HP	115v	9.3	1ph	1300	575	47
1	4	IRSL-3-1-04	107"	1/3 HP	115v	9.3	1ph	1300	820	67
2	2	IRSL-3-2-02	102"	1/3 HP	115v	10.3	1ph	1300	790	64
3	2	IRSL-4-3-02	131"	1/3 HP	115v	10.3	1ph	1700	1090	82
2	4	IRSL-4-2-04	136"	1/2 HP	115v	13.2	1ph	2000	1130	85
1	6	IRSL-4-1-06	140"	1/2 HP	115v	12.7	1ph	2000	1190	87

REMOTE UNIT ALL DOORS

DOORS	DRAWERS	MODEL	DIMENSION 'A'	VOLTS	AMPS	PHASE	BTU'S	WEIGHT	CUBE
1	2	IRRL-2-1-02	59"	115v	1.3	1ph	1300	415	37
1	4	IRRL-3-1-04	89"	115v	1.3	1ph	1300	660	56
2	2	IRRL-3-2-02	84"	115v	2.3	1ph	1300	630	53
3	2	IRRL-4-3-02	109"	115v	2.3	1ph	1700	910	68
2	4	IRRL-4-2-04	114"	115v	2.3	1ph	2000	950	71
1	6	IRRL-4-1-06	118"	115v	1.9	1ph	2000	1010	74

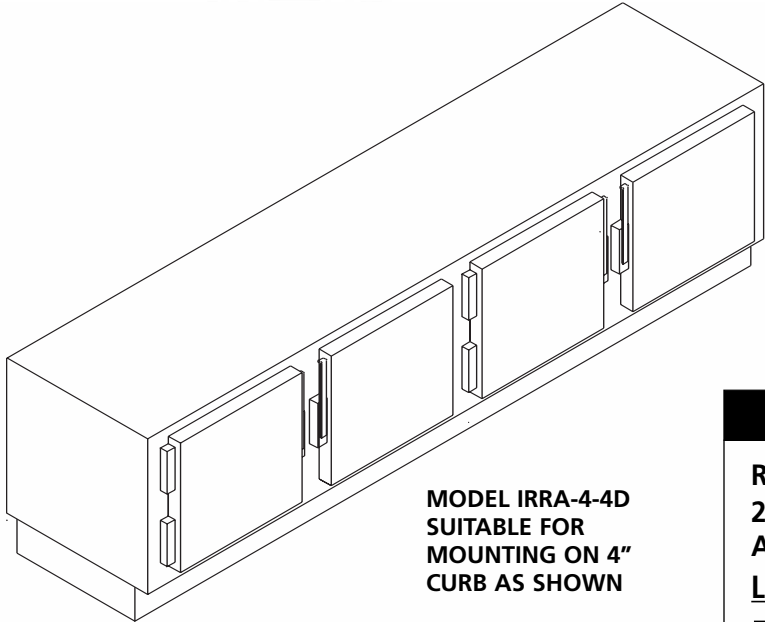


21" LOW HEIGHT W/DOORS

MODULAR COMPONENTS

PROJECT _____

ITEM NO. _____



**MODEL IRRA-4-4D
SUITABLE FOR
MOUNTING ON 4"
CURB AS SHOWN**



CONFORMS TO
ANSI/NSF STD 7



**Detail of radius corner
and tanked bottom**

STANDARD FEATURES

- All Heli-arc welded construction
- All 18 gauge 304, 18/8 stainless steel interiors front face doors and door backs
- Polyurethane 'shot-in-place' insulation
- 3/8" interior corners
- Polypropylene breaker strip is foamed-locked in-place using no mechanical fasteners
- High compression non-magnetic vinyl door/drawer gasket
- Self-closing door hinges Kason
- Door latch Kason
- Pre-wired electrical conduit is internally installed within inner and outer walls
- Oversized blower coil with expansion valve, thermostat and solenoid valves
- Adjustable wire shelves

MODELS

REMOTE LOW HEIGHT - 21" BODY HEIGHT FOR 4" CURB ALL DOORS

Length	Depth	#Sections	Model
<input type="checkbox"/> 26"	32"	1	IRRA-1-1D
<input type="checkbox"/> 51"	32"	2	IRRA-2-2D
<input type="checkbox"/> 76"	32"	3	IRRA-3-3D
<input type="checkbox"/> 101"	32"	4	IRRA-4-4D

SELF CONTAINED LOW HEIGHT - 21" BODY HEIGHT FOR 4" CURB ALL DOORS

Length	Depth	#Sections	Model
<input type="checkbox"/> 44"	32"	1	IRSA-1-1D
<input type="checkbox"/> 69"	32"	2	IRSA-2-2D
<input type="checkbox"/> 98"	32"	3	IRSA-3-3D
<input type="checkbox"/> 123"	32"	4	IRSA-4-4D

OPTIONS

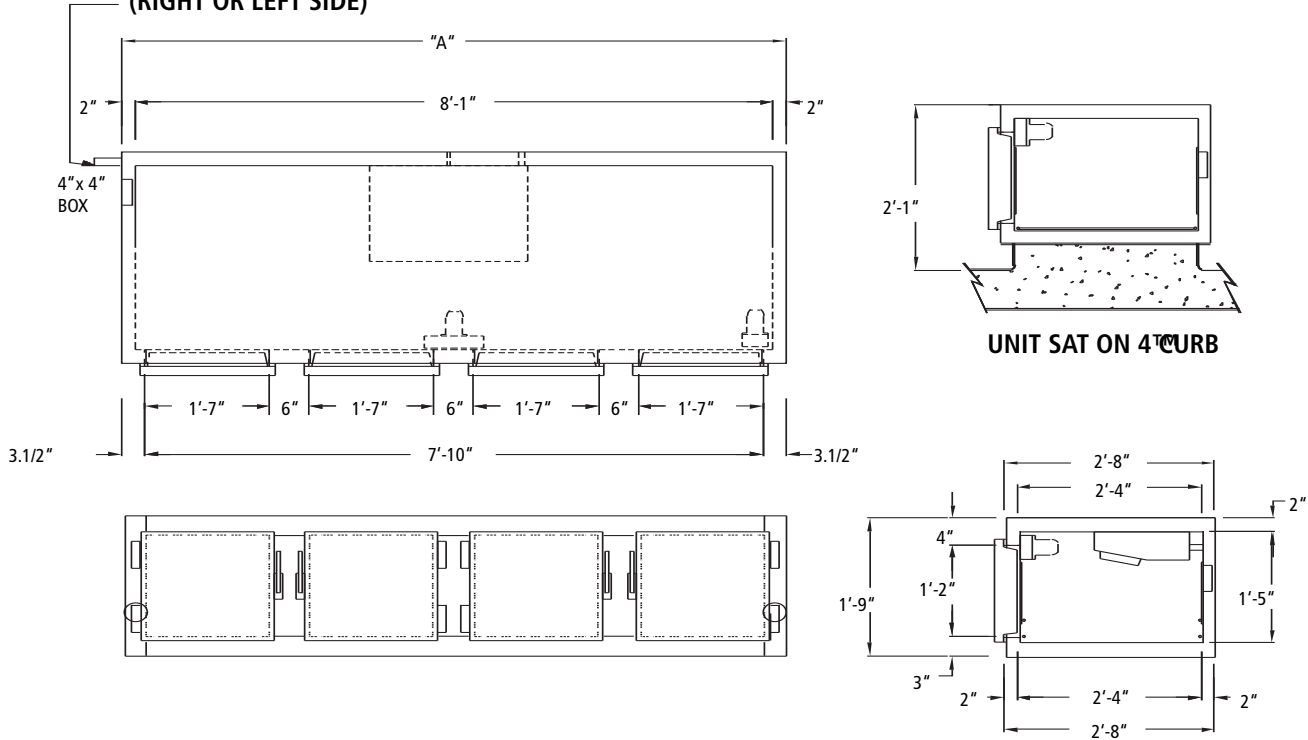
- F Freezer
- SSPR Stainless Steel Right End Panel
- SSPL Stainless Steel Left End Panel
- AS All Stainless Steel Including Ends, Back And Bottom
- ST Stainless Steel Top
- SWS Stainless Steel Wire Racks
- GD Glass Doors
- TS Tray Slide Assembly for 18x26 Trays (Specify Sections)
- CS Casters
- PLD Locking Padlock Assembly for Doors
- DT Dual Temp. Base
- M Custom / Modified Unit
- MG Magnetic Gasket



21" LOW HEIGHT W/DOORS

MODULAR COMPONENTS

REFRIGERATION AND DRAIN LINE STUB-OUTS (RIGHT OR LEFT SIDE)



LOW HEIGHT REFRIGERATORS 21" BODY HEIGHT

SELF CONTAINED ALL DOORS								
MODEL	DIMENSION 'A'	H.P	VOLTS	AMPS	PHASE	BTU'S	WEIGHT	CUBE
IRSA-1-1D	44"	1/4 HP	115v	8.8	1ph	1000	390	31
IRSA-2-2D	69"	1/4 HP	115v	9.1	1ph	1000	520	47
IRSA-3-3D	98"	1/3 HP	115v	10.1	1ph	1300	640	66
IRSA-4-4D	123"	1/3 HP	115v	10.1	1ph	1700	910	80

REMOTE UNITS ALL DOORS							
MODEL	DIMENSION 'A'	VOLTS	AMPS	PHASE	BTU'S	WEIGHT	CUBE
IRRA-1-1D	26"	115v	1.2	1ph	1000	200	19
IRRA-2-2D	51"	115v	1.7	1ph	1000	345	36
IRRA-3-3D	76"	115v	2.3	1ph	1300	480	51
IRRA-4-4D	101"	115v	2.3	1ph	1700	600	68



21" LOW HEIGHT W/DRAWERS

MODULAR COMPONENTS

INTEGRAL CENTER POSITION OF DRAWER PULL WITH POLISHED TRIM CENTER POSITION PREVENTS ROCKING OF DRAWER

PROJECT _____

ITEM NO. _____



Detail of Standard Drawer



Detail of radius corner and tanked bottom

STANDARD FEATURES

- All Heli-arc welded construction
- All 18 gauge 304, 18/8 stainless steel interiors front face doors and door backs
- Polyurethane 'shot-in-place' insulation
- 3/8" interior corners
- Polypropylene breaker strip is foamed-locked in-place using no mechanical fasteners
- High compression non-magnetic vinyl door/drawer gasket
- Flush front drawer-pull (built-into-the-face) is centered eliminating wracking of drawer
- Drawers each accommodates two full size pans side-by-side
- Pre-wired electrical conduit is internally installed within inner and outer walls
- Oversized blower coil with expansion valve, thermostat and solenoid valves
- Exclusive 14ga stainless steel drawer track system with 2" skate wheels

MODELS

REMOTE LOW HEIGHT - 21" BODY HEIGHT ALL DRAWERS

Length	Depth	#Sections	Model
<input type="checkbox"/> 33.1/4"	32"	1	IRRA-1-02
<input type="checkbox"/> 63"	32"	2	IRRA-2-04
<input type="checkbox"/> 92"	32"	3	IRRA-3-06
<input type="checkbox"/> 121"	32"	4	IRRA-4-08

SELF CONTAINED LOW HEIGHT - 21" BODY HT. ALL DRAWERS

Length	Depth	#Sections	Model
<input type="checkbox"/> 51.1/4"	32"	1	IRSA-1-02
<input type="checkbox"/> 81"	32"	2	IRSA-2-04
<input type="checkbox"/> 110"	32"	3	IRSA-3-06
<input type="checkbox"/> 139"	32"	4	IRSA-4-08

OPTIONS

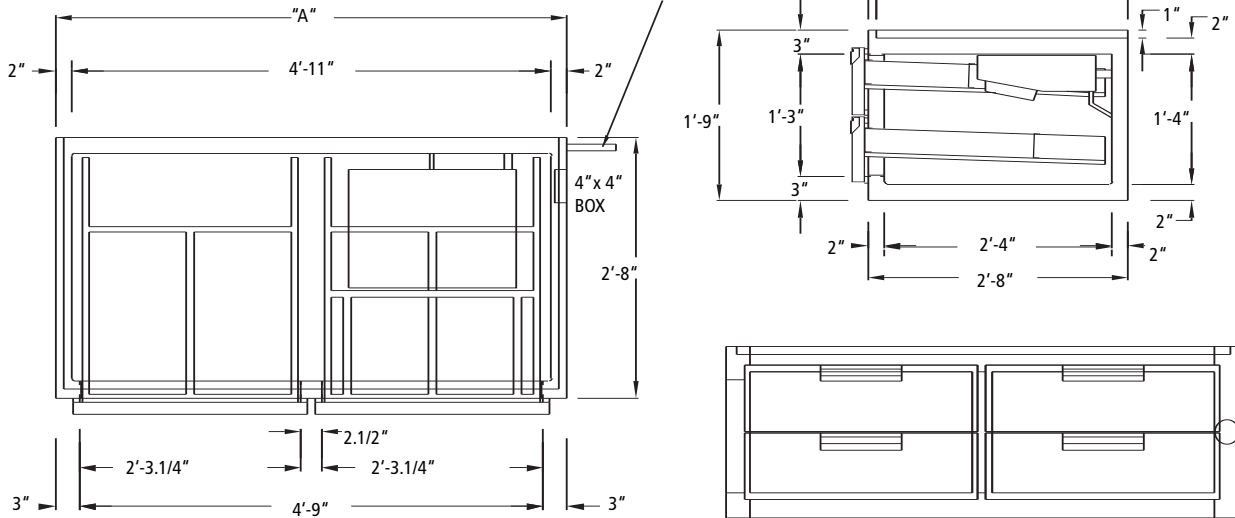
- SSPR Stainless Steel Right End Panel
- SSPL Stainless Steel Left End Panel
- AS All Stainless Steel Including Ends, Back and Bottom
- ST Stainless Steel Top
- CS Casters
- SSKW Stainless Steel Skate Wheels
- DPL Locking Padlock Assembly for Drawers
- DT Dual Temp. Base
- M Custom / Modified Unit
- MD3 MD3 Mega Drawer (Accommodates three Full Size Pans Side by Side)



21" LOW HEIGHT W/DRAWERS

MODULAR COMPONENTS

REFRIGERATION AND DRAIN LINE STUB-OUTS (LEFT OR RIGHT SIDE)



LOW HEIGHT REFRIGERATORS 21" BODY HEIGHT

SELF CONTAINED ALL DOORS								
MODEL	DIMENSION 'A'	H.P	VOLTS	AMPS	PHASE	BTU'S	WEIGHT	CUBE
IRSA-1-02	51.1/4"	1/4 HP	115v	8.2	1ph	1000	510	24
IRSA-2-04	81"	1/4 HP	115v	8.9	1ph	1300	570	43
IRSA-3-06	110"	1/3 HP	115v	9.3	1ph	1300	760	62
IRSA-4-08	139"	1/2 HP	115v	12.4	1ph	2600	1010	80

REMOTE UNITS ALL DOORS							
MODEL	DIMENSION 'A'	VOLTS	AMPS	PHASE	BTU'S	WEIGHT	CUBE
IRRA-1-02	33.1/4"	115v	0.73	1ph	800	240	36
IRRA-2-04	63"	115v	1.5	1ph	1300	415	55
IRRA-3-06	92"	115v	1.5	1ph	1300	600	76
IRRA-4-08	121"	115v	3	1ph	2600	750	95



21" LOW HEIGHT COMBOS

MODULAR COMPONENTS

INTEGRAL CENTER POSITION OF DRAWER
PULL WITH POLISHED TRIM CENTER
POSITION PREVENTS ROCKING OF DRAWER

PROJECT _____

ITEM NO. _____



CONFORMS TO
ANSI/NSF STD 7

MODELS

REMOTE LOW HEIGHT - 21" BODY HT. COMBINATION UNITS

Length	Depth	#Sections	Model
<input type="checkbox"/> 59"	32"	2	IRRA-2-1-02
<input type="checkbox"/> 89"	32"	3	IRRA-3-1-04
<input type="checkbox"/> 84"	32"	3	IRRL-3-2-02
<input type="checkbox"/> 109"	32"	4	IRRL-4-3-02
<input type="checkbox"/> 114"	32"	4	IRRL-4-2-04
<input type="checkbox"/> 118"	32"	4	IRRA-4-1-06

SELF CONTAINED LOW HEIGHT - 21" BODY HT. COMBINATION UNITS

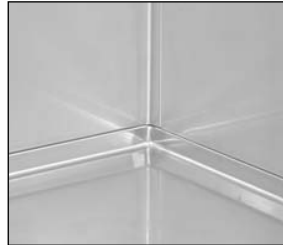
Length	Depth	#Sections	Model
<input type="checkbox"/> 77"	32"	2	IRSA-2-1-02
<input type="checkbox"/> 107"	32"	3	IRSA-3-1-04
<input type="checkbox"/> 102"	32"	3	IRSA-3-2-02
<input type="checkbox"/> 131"	32"	4	IRSA-4-3-02
<input type="checkbox"/> 136"	32"	4	IRSA-4-2-04
<input type="checkbox"/> 140"	32"	4	IRSA-4-1-06

OPTIONS

- F Freezer
- SSPR Stainless Steel Right End Panel
- SSPL Stainless Steel Left End Panel
- AS All Stainless Steel Including Ends, Back and Bottom
- ST Stainless Steel Top
- SWS Stainless Steel Wire Racks
- GD Glass Doors
- TS Tray Slide Assembly for 18x26 Trays (Specify Sections)
- CS Casters
- SSKW Stainless Steel Skate Wheels
- PLD Locking Padlock Assembly for Doors
- DPL Locking Padlock Assembly for Drawers
- DT Dual Temp. Base
- M Custom / Modified Unit
- MD3 MD3 Mega Drawer (Accommodates three Full Size Pans Side by Side)
- MG Magnetic Gasket



Detail of Standard
Drawer



Detail of radius corner
and tanked bottom

STANDARD FEATURES

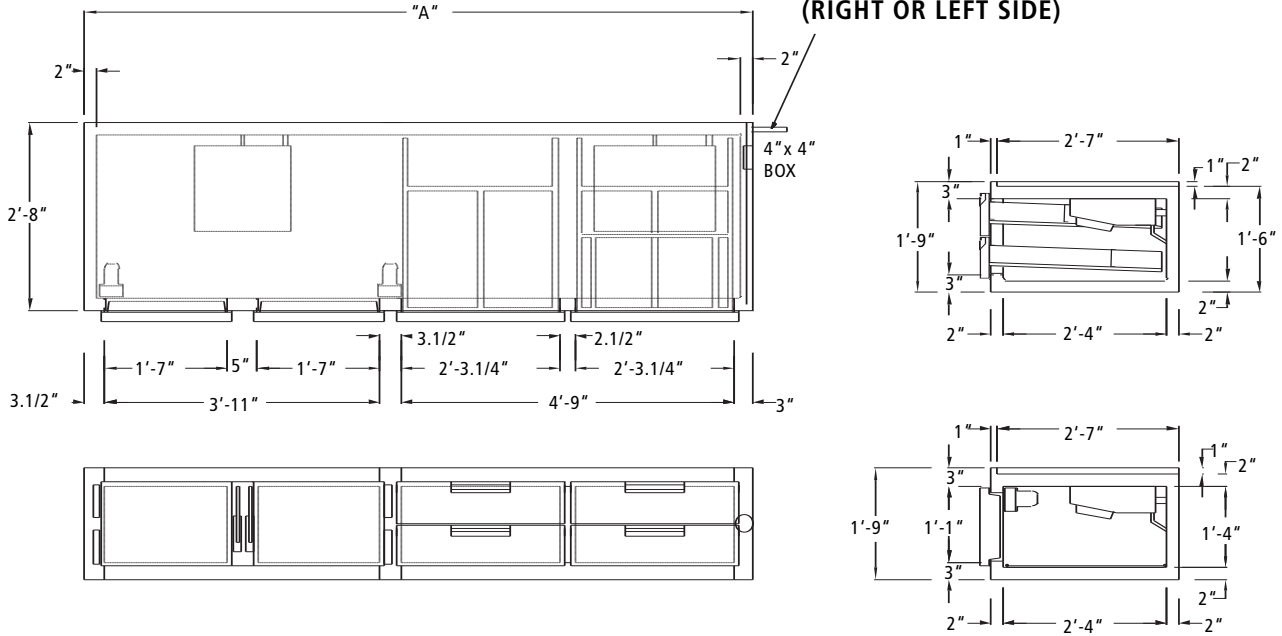
- All Heli-arc welded construction
- All 18 gauge 304, 18/8 stainless steel interiors front face doors and door backs
- Polyurethane 'shot-in-place' insulation
- 3/8" interior corners
- Polypropylene breaker strip is foamed-locked in-place using no mechanical fasteners
- High compression non-magnetic vinyl door/drawer gasket
- Flush front drawer-pull (built-into-the-face) is centered eliminating wracking of drawer
- Drawers each accommodates two full size pans side-by-side
- Self-closing door hinges Kason
- Door latch Kason
- Pre-wired electrical conduit is internally installed within inner and outer walls
- Oversized blower coil with expansion valve, thermostat and solenoid valves
- Exclusive 14ga stainless steel drawer track system with 2" skate wheels
- Adjustable wire shelves



21" LOW HEIGHT COMBOS

MODULAR COMPONENTS

REFRIGERATION AND DRAIN LINE STUB-OUTS (RIGHT OR LEFT SIDE)



LOW HEIGHT REFRIGERATORS 21" BODY HEIGHT

SELF CONTAINED ALL DOORS

DOORS	DRAWERS	MODEL	DIMENSION 'A'	H.P	VOLTS	AMPS	PHASE	BTU'S	WEIGHT	CUBE
1	2	IRSA-2-1-02	77"	1/3 HP	115v	9.3	1ph	1300	630	52
1	4	IRSA-3-1-04	107"	1/3 HP	115v	9.3	1ph	1300	900	72
2	2	IRSA-3-2-02	102"	1/3 HP	115v	10.3	1ph	1300	870	68
3	2	IRSA-4-3-02	131"	1/3 HP	115v	10.3	1ph	1700	1190	87
2	4	IRSA-4-2-04	136"	1/2 HP	115v	13.2	1ph	2000	1235	90
1	6	IRSA-4-1-06	140"	1/2 HP	115v	12.7	1ph	2000	1280	93

REMOTE UNIT ALL DOORS

DOORS	DRAWERS	MODEL	DIMENSION 'A'	VOLTS	AMPS	PHASE	BTU'S	WEIGHT	CUBE
1	2	IRRA-2-1-02	59"	115v	1.3	1ph	1300	455	41
1	4	IRRA-3-1-04	89"	115v	1.3	1ph	1300	720	58
2	2	IRRA-3-2-02	84"	115v	2.3	1ph	1300	695	57
3	2	IRRA-4-3-02	109"	115v	2.3	1ph	1700	995	73
2	4	IRRA-4-2-04	114"	115v	2.3	1ph	2000	1040	76
1	6	IRRA-4-1-06	118"	115v	1.9	1ph	2000	1120	79



30" COUNTER HIGH W/DOORS

MODULAR COMPONENTS

PROJECT _____

ITEM NO. _____



Model IRRH-3-3D-38PC shown with raised rail & cutting board



Detail of radius corner and tanked bottom

MODELS

REMOTE COUNTER HIGH - 30" BODY HEIGHT FOR 4" CURB ALL DOORS

Length	Depth	#Sections	Model
<input type="checkbox"/> 26"	32"	1	IRRH-1-1D
<input type="checkbox"/> 51"	32"	2	IRRH-2-2D
<input type="checkbox"/> 76"	32"	3	IRRH-3-3D
<input type="checkbox"/> 101"	32"	4	IRRH-4-4D

SELF CONTAINED COUNTER HIGH - 30" BODY HEIGHT FOR 4" CURB ALL DOORS

Length	Depth	#Sections	Model
<input type="checkbox"/> 44"	32"	1	IRSH-1-1D
<input type="checkbox"/> 69"	32"	2	IRSH-2-2D
<input type="checkbox"/> 98"	32"	3	IRSH-3-3D
<input type="checkbox"/> 123"	32"	4	IRSH-4-4D



CONFORMS TO ANS/NSF STD 7

STANDARD FEATURES

- All Heli-arc welded construction
- All 18 gauge 304, 18/8 stainless steel interiors front face doors and door backs
- Polyurethane 'shot-in-place' insulation
- 3/8" interior corners
- Polypropylene breaker strip is foamed-locked in-place using no mechanical fasteners
- High compression non-magnetic vinyl door/drawer gasket
- Self-closing door hinges
- Door latch Kason
- Pre-wired electrical conduit is internally installed within inner and outer walls
- Oversized blower coil with expansion valve, thermostat and solenoid valves
- Adjustable wire shelves

OPTIONS

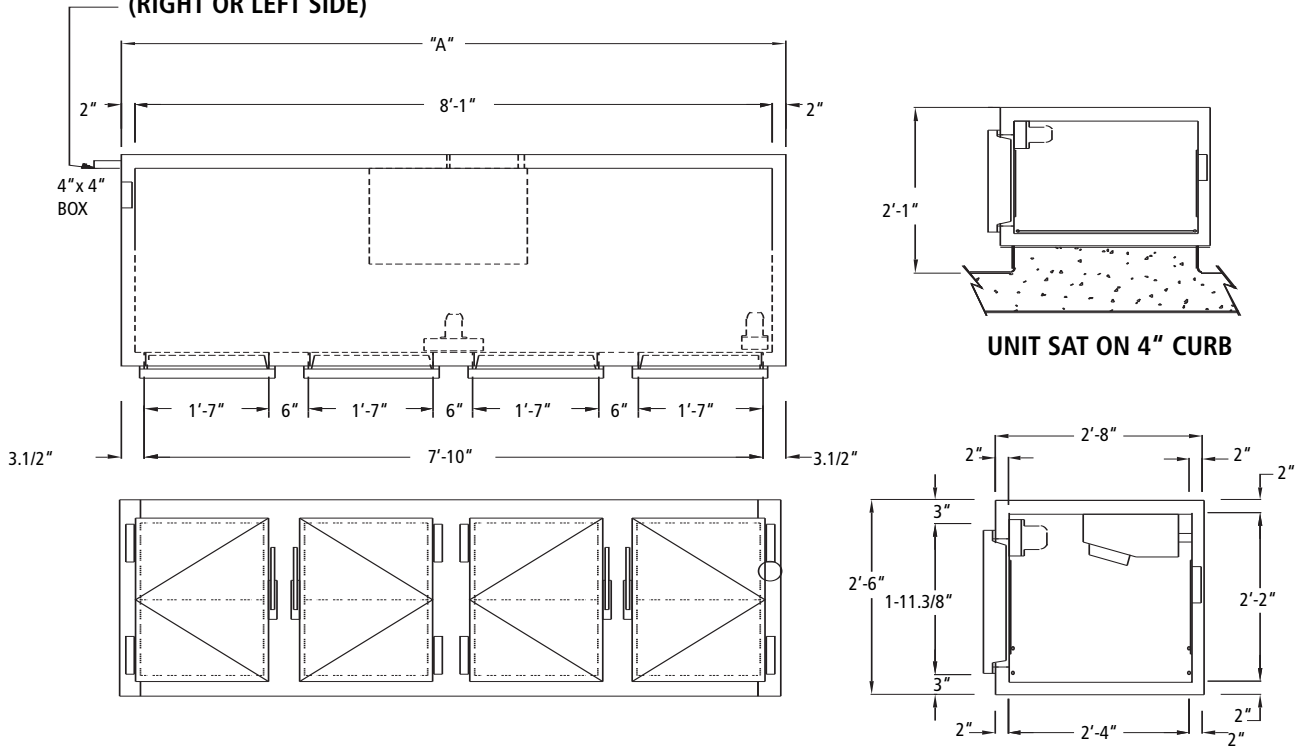
- F Freezer
- SSPR Stainless Steel Right End Panel
- SSP Stainless Steel Left End Panel
- AS All Stainless Steel Including Ends, Back and Bottom
- CO Cut-out in top
Specify Pan Size and Quantity)
- ST Stainless Steel Top
- NC Night Covers
- SSC Security Screen for Top Opening
- SWS Stainless Steel Wire Racks
- GD Glass Doors
- TS Tray Slide Assembly for 18x26 Trays
(Specify Sections)
- CS Casters
- PLD Locking Padlock Assembly for Doors
- DT Dual Temp. Base
- M Custom / Modified Unit
- 38PC NSF 7 Pan Chiller Rail / Maintains
38-Degree Product (Specify Pan Size and Quantity) Available on Counter High and Plate Shelf Bases Only.
- MG Magnetic Gasket



30" COUNTER HIGH W/DOORS

MODULAR COMPONENTS

REFRIGERATION AND DRAIN LINE STUB-OUTS (RIGHT OR LEFT SIDE)



COUNTER HIGH REFRIGERATORS 30" BODY HEIGHT

SELF CONTAINED ALL DOORS								
MODEL	DIMENSION 'A'	H.P	VOLTS	AMPS	PHASE	BTU'S	WEIGHT	CUBE
IRSH-1-1D	44"	1/4 HP	115v	8.8	1ph	1000	330	27
IRSH-2-2D	69"	1/4 HP	115v	9.1	1ph	1000	395	41
IRSH-3-3D	98"	1/3 HP	115v	10.1	1ph	1300	425	57
IRSH-4-4D	123"	1/3 HP	115v	10.1	1ph	1700	470	71

REMOTE UNITS ALL DOORS							
MODEL	DIMENSION 'A'	VOLTS	AMPS	PHASE	BTU'S	WEIGHT	CUBE
IRRH-1-1D	26"	115v	1.2	1ph	1000	180	17
IRRH-2-2D	51"	115v	1.7	1ph	1000	235	31
IRRH-3-3D	76"	115v	2.3	1ph	1300	270	44
IRRH-4-4D	101"	115v	2.3	1ph	1700	310	58



30" COUNTER HIGH W/DRAWERS

MODULAR COMPONENTS

PROJECT _____

ITEM NO. _____



INTEGRAL CENTER POSITION OF DRAWER PULL WITH POLISHED TRIM CENTER POSITION PREVENTS ROCKING OF DRAWER



Detail of Standard Drawer



Detail of radius corner and tanked bottom

MODELS

REMOTE COUNTER HIGH - 30" BODY HEIGHT ALL DRAWERS

Length	Depth	#Sections	Model
<input type="checkbox"/> 33.1/4"	32"	1	IRRH-1-03
<input type="checkbox"/> 63"	32"	2	IRRH-2-06
<input type="checkbox"/> 92"	32"	3	IRRH-3-09
<input type="checkbox"/> 121"	32"	4	IRRH-4-012

SELF CONTAINED COUNTER HIGH - 30" BODY HT. ALL DRAWERS

Length	Depth	#Sections	Model
<input type="checkbox"/> 51.1/4"	32"	1	IRSH-1-03
<input type="checkbox"/> 81"	32"	2	IRSH-2-06
<input type="checkbox"/> 110"	32"	3	IRSH-3-09
<input type="checkbox"/> 139"	32"	4	IRSH-4-012

STANDARD FEATURES

- All Heli-arc welded construction
- All 18 gauge 304, 18/8 stainless steel interiors front face doors and door backs
- Polyurethane 'shot-in-place' insulation
- 3/8" interior corners
- Polypropylene breaker strip is foamed-locked in-place using no mechanical fasteners
- High compression non-magnetic vinyl door/drawer gasket
- Self-closing door hinges Kason
- Door latch Kason
- Pre-wired electrical conduit is internally installed within inner and outer walls
- Oversized blower coil with expansion valve, thermostat and solenoid valves
- Exclusive 14ga stainless steel drawer track system with 2" skate wheels

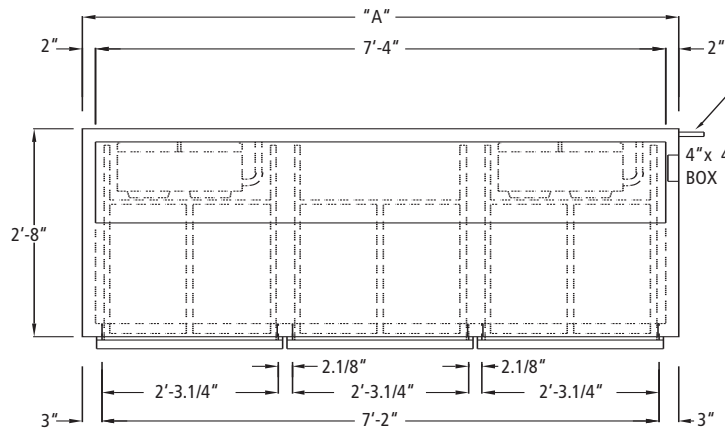
OPTIONS

- F Freezer
- SSPR Stainless Steel Right End Panel
- SSPL Stainless Steel Left End Panel
- AS All Stainless Steel Including Ends, Back and Bottom
- CO Cut-out in top (Specify Pan Size and Quantity)
- ST Stainless Steel Top
- NC Night Covers
- SSC Security Screen for Top Opening
- CS Casters
- SSKW Stainless Steel Skate Wheels
- DPL Locking Padlock Assembly for Drawers
- DT Dual Temp. Base
- M Custom / Modified Unit
- MD3 MD3 Mega Drawer (Accommodates three Full Size Pans Side by Side)
- 38PC NSF 7 Pan Chiller Rail / Maintains 38-Degree Product (Specify Pan Size and Quantity) Available on Counter High and Plate Shelf Bases Only.
- MG Magnetic Gasket



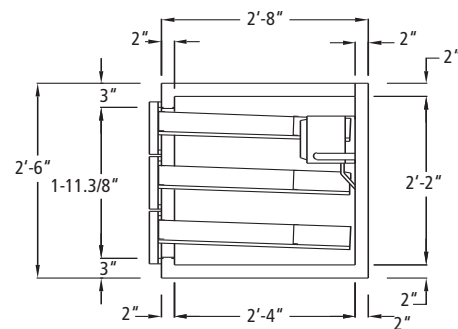
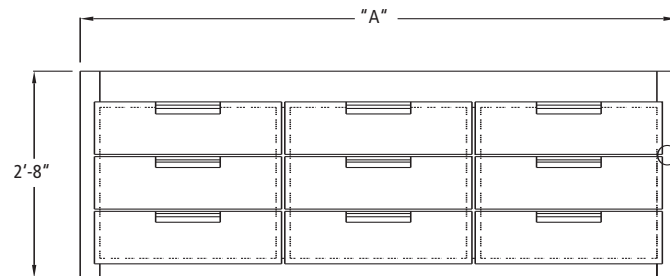
30" COUNTER HIGH W/DRAWERS

MODULAR COMPONENTS



REFRIG. AND DRAIN
LINE STUB-OUTS
(LEFT OR RIGHT)

4" x 4"
BOX



COUNTER HIGH REFRIGERATORS 30" BODY HEIGHT

SELF CONTAINED ALL DOORS

MODEL	DIMENSION 'A'	H.P	VOLTS	AMPS	PHASE	BTU'S	WEIGHT	CUBE
IRSH-1-03	51.1/4"	1/4 HP	115v	8.6	1ph	1000	555	46
IRSH-2-06	81"	1/3 HP	115v	10	1ph	2000	720	71
IRSH-3-09	110"	1/2 HP	115v	13.9	1ph	3000	830	98
IRSH-4-12	139"	1/2 HP	115v	13.9	1ph	3000	940	119

REMOTE UNITS ALL DOORS

MODEL	DIMENSION 'A'	VOLTS	AMPS	PHASE	BTU'S	WEIGHT	CUBE
IRRH-1-03	33.1/4"	115v	1	1ph	1000	325	31
IRRH-2-06	63"	115v	2	1ph	2000	455	56
IRRH-3-09	92"	115v	3	1ph	3000	575	77
IRRH-4-12	121"	115v	3	1ph	3000	665	104



30" COUNTER HIGH COMBOS

MODULAR COMPONENTS

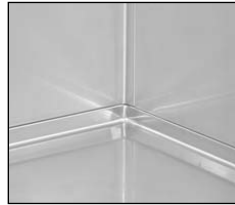
INTEGRAL CENTER POSITION OF DRAWER PULL WITH POLISHED TRIM CENTER POSITION PREVENTS ROCKING OF DRAWER

PROJECT _____

ITEM NO. _____



Detail of Standard Drawer



Detail of radius corner and tanked bottom

STANDARD FEATURES

- All Heli-arc welded construction
- All 18 gauge 304, 18/8 stainless steel interiors front face doors and door backs
- Polyurethane 'shot-in-place' insulation
- 3/8" interior corners
- Polypropylene breaker strip is foamed-locked in-place using no mechanical fasteners
- High compression non-magnetic vinyl door/drawer gasket
- Flush front drawer-pull (built-into-the-face) is centered eliminating wracking of drawer
- Drawers each accommodates two full size pans side-by-side
- Self-closing door hinges Kason
- Door latch Kason
- Pre-wired electrical conduit is internally installed within inner and outer walls
- Oversized blower coil with expansion valve, thermostat and solenoid valves
- Exclusive 14ga stainless steel drawer track system with 2" skate wheels
- Adjustable wire shelves

MODELS

REMOTE COUNTER HIGH - 30" BODY HT. COMBINATION UNITS

Length	Depth	#Sections	Model
<input type="checkbox"/> 59"	32"	2	IRRH-2-1-02
<input type="checkbox"/> 89"	32"	3	IRRH-3-1-04
<input type="checkbox"/> 84"	32"	3	IRRH-3-2-02
<input type="checkbox"/> 109"	32"	4	IRRH-4-3-02
<input type="checkbox"/> 114"	32"	4	IRRH-4-2-04
<input type="checkbox"/> 118"	32"	4	IRRH-4-1-06

SELF CONTAINED COUNTER HIGH - 30" BODY HT. COMBINATION UNITS

Length	Depth	#Sections	Model
<input type="checkbox"/> 77"	32"	2	IRSH-2-1-02
<input type="checkbox"/> 107"	32"	3	IRSH-3-1-04
<input type="checkbox"/> 102"	32"	3	IRSH-3-2-02
<input type="checkbox"/> 131"	32"	4	IRSH-4-3-02
<input type="checkbox"/> 136"	32"	4	IRSH-4-2-04
<input type="checkbox"/> 140"	32"	4	IRSH-4-1-06

OPTIONS

- F Freezer
- SSPR Stainless Steel Right End Panel
- SSPL Stainless Steel Left End Panel
- AS All Stainless Steel Including Ends, Back and Bottom
- CO Cut-out in top (Specify Pan Size and Quantity)
- ST Stainless Steel Top
- NC Night Covers
- SSC Security Screen for Top Opening
- SWS Stainless Steel Wire Racks
- GD Glass Doors
- TS Tray Slide Assembly for 18x26 Trays (Specify Sections)
- CS Casters
- SSKW Stainless Steel Skate Wheels
- PLD Locking Padlock Assembly for Doors
- DPL Locking Padlock Assembly for Drawers
- DT Dual Temp. Base
- M Custom / Modified Unit
- MD3 MD3 Mega Drawer (Accommodates three Full Size Pans Side by Side)
- 38PC NSF 7 Pan Chiller Rail / Maintains 38-Degree Product (Specify Pan Size and Quantity) Available on Counter High and Plate Shelf Bases Only.
- MG Magnetic Gasket



30" COUNTER HIGH COMBOS

MODULAR COMPONENTS

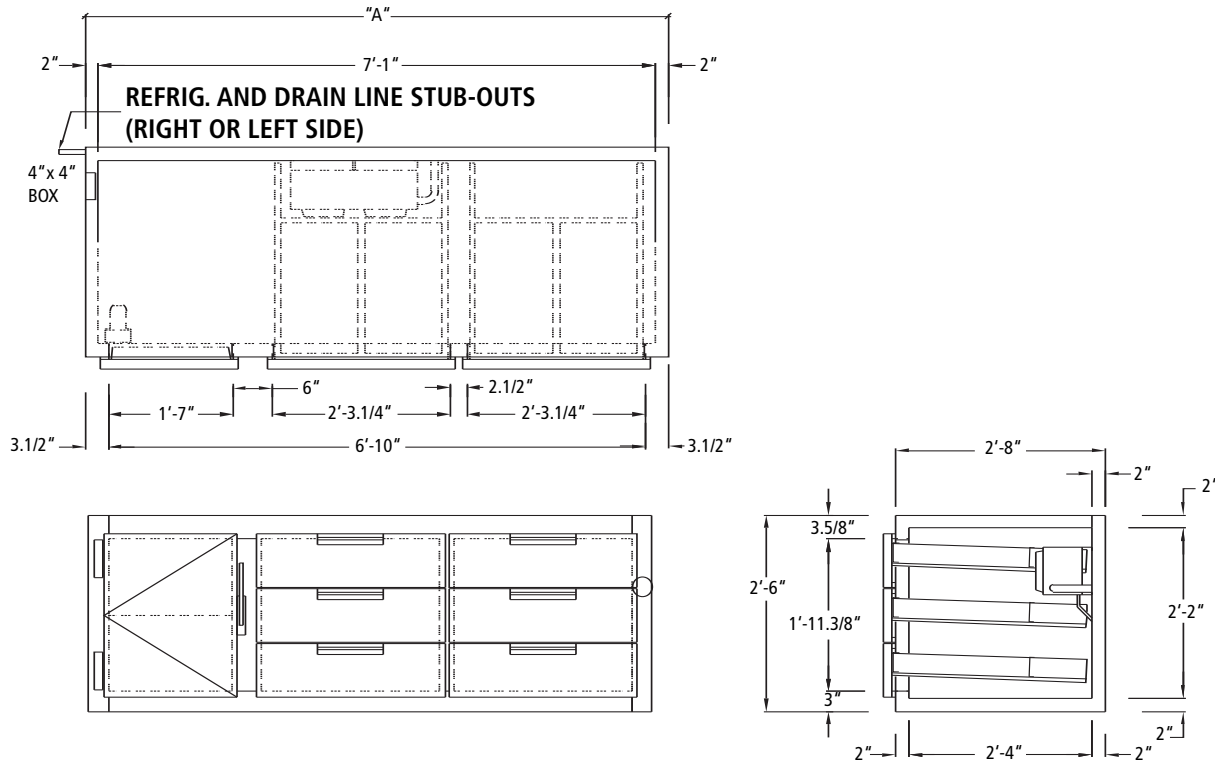


PLATE SHELF REFRIGERATORS COMBINATION UNITS 30" BODY HEIGHT

SELF CONTAINED COMBINATION ALL DOORS

DOORS	DRAWERS	MODEL	DIMENSION 'A'	H.P	VOLTS	AMPS	PHASE	BTU'S	WEIGHT	CUBE
1	2	IPRS-2-1-02	75"	1/3 HP	115v	10.5	1ph	2000	655	68
1	4	IPRS-3-1-04	105"	1/2 HP	115v	14.4	1ph	3000	735	93
2	2	IPRS-3-2-02	100"	1/2 HP	115v	14.9	1ph	3000	710	88
3	2	IPRS-4-3-02	125"	1/2 HP	115v	14.9	1ph	3000	815	113
2	4	IPRS-4-2-04	130"	1/2 HP	115v	14.9	1ph	3000	830	117
1	6	IPRS-4-1-06	134"	1/2 HP	115v	14.4	1ph	3000	855	120

REMOTE UNIT COMBINATION ALL DOORS

DOORS	DRAWERS	MODEL	DIMENSION 'A'	VOLTS	AMPS	PHASE	BTU'S	WEIGHT	CUBE
1	2	IPRR-2-1-02	59"	115v	2.6	1ph	2000	400	52
1	4	IPRR-3-1-04	89"	115v	3.6	1ph	3000	485	77
2	2	IPRR-3-2-02	84"	115v	4.1	1ph	3000	475	73
3	2	IPRR-4-3-02	109"	115v	4.1	1ph	3000	555	94
2	4	IPRR-4-2-04	114"	115v	4.1	1ph	3000	575	98
1	6	IPRR-4-1-06	118"	115v	3.6	1ph	3000	595	102

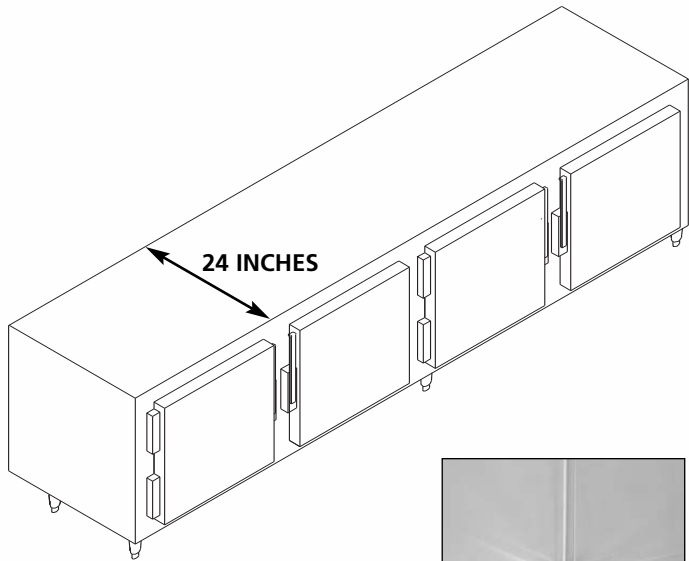


30 x 24" COUNTER HIGH W/DOORS

MODULAR COMPONENTS

PROJECT _____

ITEM NO. _____



Detail of radius corner and tanked bottom



STANDARD FEATURES

- All Heli-arc welded construction
- All 18 gauge 304, 18/8 stainless steel interiors front face doors and door backs
- Polyurethane 'shot-in-place' insulation
- 3/8" interior corners
- Polypropylene breaker strip is foamed-locked in-place using no mechanical fasteners
- High compression non-magnetic vinyl door/drawer gasket
- Self-closing door hinges Kason
- Door latch Kason
- Pre-wired electrical conduit is internally installed within inner and outer walls
- Oversized blower coil with expansion valve, thermostat and solenoid valves
- Adjustable wire shelves

MODELS

REMOTE COUNTER HIGH - 30" BODY HEIGHT 24" BODY DEPTH

ALL DOORS

Length	Depth	#Sections	Model
<input type="checkbox"/> 26"	24"	1	IRRH-1-1DN
<input type="checkbox"/> 51"	24"	2	IRRH-2-2DN
<input type="checkbox"/> 76"	24"	3	IRRH-3-3DN
<input type="checkbox"/> 101"	24"	4	IRRH-4-4DN

SELF CONTAINED COUNTER HIGH - 30" BODY HEIGHT 24" BODY DEPTH

ALL DOORS

Length	Depth	#Sections	Model
<input type="checkbox"/> 44"	24"	1	IRSH-1-1DN
<input type="checkbox"/> 69"	24"	2	IRSH-2-2DN
<input type="checkbox"/> 98"	24"	3	IRSH-3-3DN
<input type="checkbox"/> 123"	24"	4	IRSH-4-4DN

OPTIONS

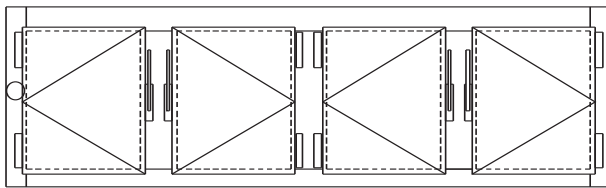
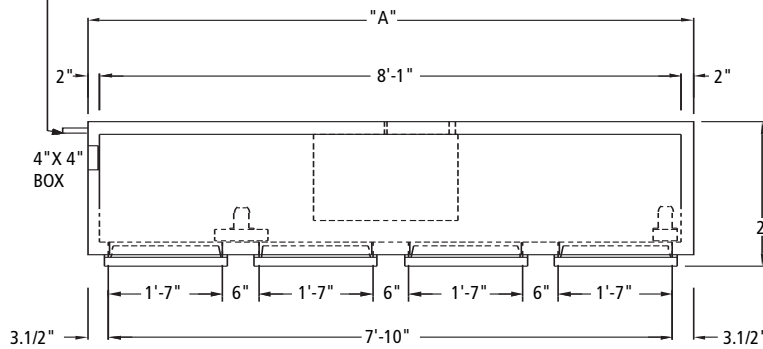
- F Freezer
- SSPR Stainless Steel Right End Panel
- SSPL Stainless Steel Left End Panel
- AS All Stainless Steel Including Ends, Back and Bottom
- CO Cut-out in top (Specify Pan Size and Quantity)
- ST Stainless Steel Top
- NC Night Covers
- SSC Security Screen for Top Opening
- SWS Stainless Steel Wire Racks
- GD Glass Doors
- TS Tray Slide Assembly for 18x26 Trays (Specify Sections)
- CS Casters
- PLD Locking Padlock Assembly for Doors
- DT Dual Temp. Base
- M Custom / Modified Unit
- 38PC NSF 7 Pan Chiller Rail / Maintains 38-Degree Product (Specify Pan Size and Quantity) Available on Counter High and Plate Shelf Bases Only.
- MG Magnetic Gasket



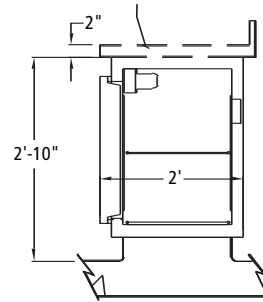
30 x 24" COUNTER HIGH W/DOORS

MODULAR COMPONENTS

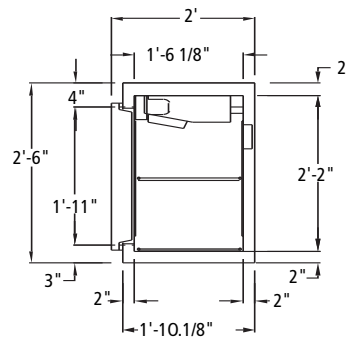
REFRIGERATION AND DRAIN LINE STUB-OUTS (RIGHT OR LEFT SIDE)



STAINLESS STEEL "SIT-ON" TOP WITH HAT CHANNELS TO OFF SET TOP 2" FROM BODY OF UNIT



UNIT SITS ON 4" CURB



COUNTER HIGH REFRIGERATORS 30" BODY HEIGHT x 24" BODY DEPTH

SELF CONTAINED ALL DOORS								
MODEL	DIMENSION 'A'	H.P	VOLTS	AMPS	PHASE	BTU'S	WEIGHT	CUBE
IRSH-1-1DN	44"	1/4 HP	115v	9.1	1ph	1000	330	27
IRSH-2-2DN	69"	1/4 HP	115v	11	1ph	2000	395	41
IRSH-3-3DN	98"	1/3 HP	115v	13.9	1ph	2000	425	57
IRSH-4-4DN	123"	1/3 HP	115v	14.9	1ph	3000	470	71

REMOTE UNITS ALL DOORS							
MODEL	DIMENSION 'A'	VOLTS	AMPS	PHASE	BTU'S	WEIGHT	CUBE
IRRH-1-1DN	26"	115v	1.6	1ph	1000	180	17
IRRH-2-2DN	51"	115v	3.1	1ph	2000	235	31
IRRH-3-3DN	76"	115v	3.1	1ph	2000	270	44
IRRH-4-4DN	101"	115v	4.1	1ph	3000	310	58

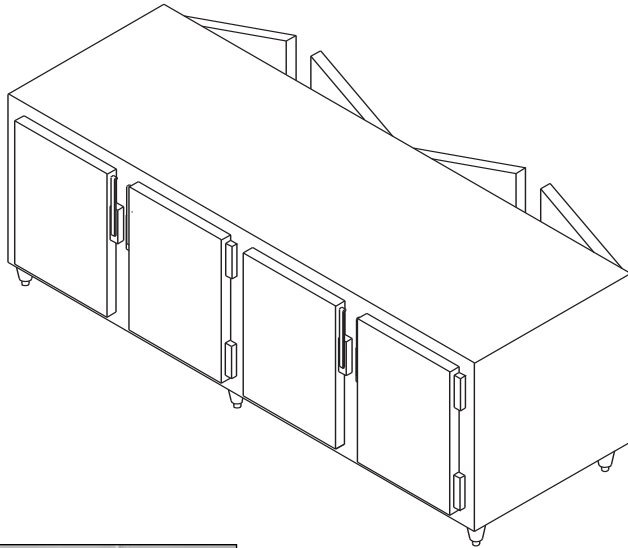


30" COUNTER HIGH W/DOORS

MODULAR COMPONENTS

PROJECT _____

ITEM NO. _____



Detail of radius corner and tanked bottom



CONFORMS TO ANS/NSF STD 7

STANDARD FEATURES

- All Heli-arc welded construction
- All 18 gauge 304, 18/8 stainless steel interiors front face doors and door backs
- Polyurethane 'shot-in-place' insulation
- 3/8" interior corners
- Polypropylene breaker strip is foamed-locked in-place using no mechanical fasteners
- High compression non-magnetic vinyl door/drawer gasket
- Self-closing door hinges Kason
- Door latch Kason
- Pre-wired electrical conduit is internally installed within inner and outer walls
- Oversized blower coil with expansion valve, thermostat and solenoid valves
- Adjustable wire shelves

MODELS

REMOTE COUNTER HIGH - 30" BODY HEIGHT ALL DOORS

Length	Depth	#Sections	Model
<input type="checkbox"/> 26"	32"	1	IRRH-1-1DP
<input type="checkbox"/> 51"	32"	2	IRRH-2-2DP
<input type="checkbox"/> 76"	32"	3	IRRH-3-3DP
<input type="checkbox"/> 101"	32"	4	IRRH-4-4DP

SELF CONTAINED COUNTER HIGH - 30" BODY HT. ALL DOORS

Length	Depth	#Sections	Model
<input type="checkbox"/> 44"	32"	1	IRSH-1-1DP
<input type="checkbox"/> 69"	32"	2	IRSH-2-2DP
<input type="checkbox"/> 98"	32"	3	IRSH-3-3DP
<input type="checkbox"/> 123"	32"	4	IRSH-4-4DP

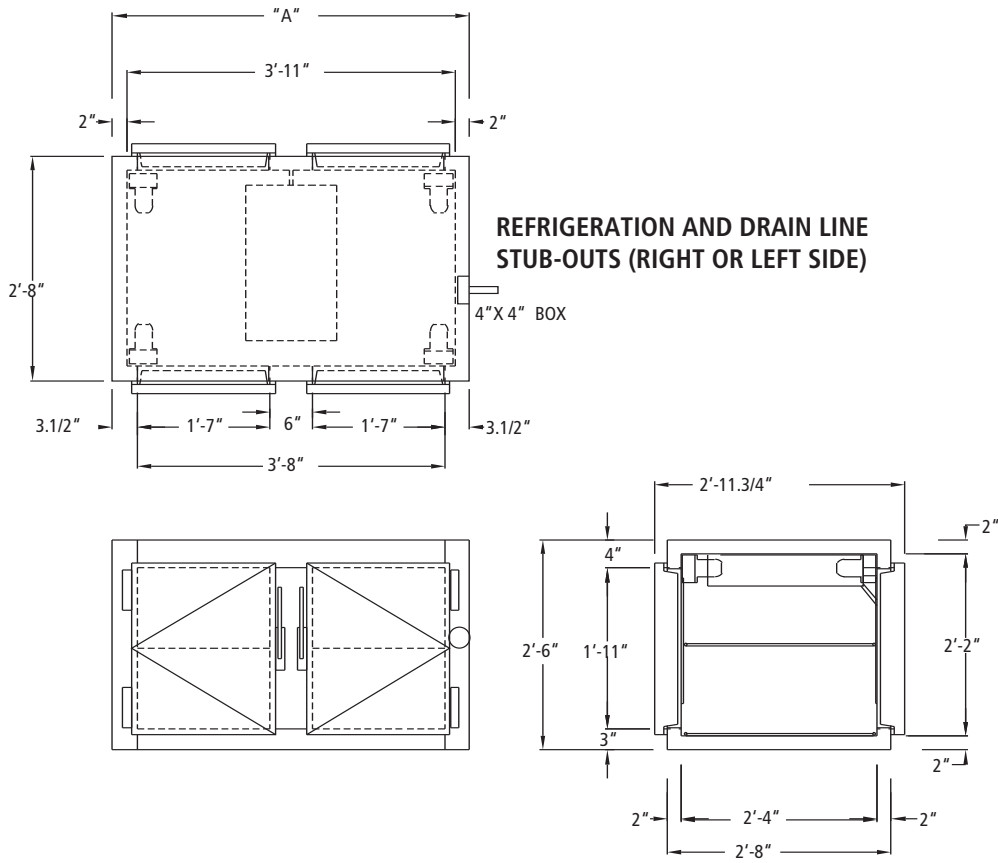
OPTIONS

- F Freezer
- SSPR Stainless Steel Right End Panel
- SSP Stainless Steel Left End Panel
- AS All Stainless Steel Including Ends, Back and Bottom
- CO Cut-out in top
Specify Pan Size and Quantity)
- ST Stainless Steel Top
- NC Night Covers
- SSC Security Screen for Top Opening
- SWS Stainless Steel Wire Racks
- GD Glass Doors
- TS Tray Slide Assembly for 18x26 Trays
(Specify Sections)
- CS Casters
- PLD Locking Padlock Assembly for Doors
- DT Dual Temp. Base
- M Custom / Modified Unit
- 38PC NSF 7 Pan Chiller Rail / Maintains
38-Degree Product (Specify Pan Size and Quantity) Available on Counter High and Plate Shelf Bases Only.
- MG Magnetic Gasket



30" COUNTER HIGH W/DOORS

MODULAR COMPONENTS



PASS THROUGH COUNTER HIGH REFRIGERATORS 30" BODY HEIGHT

SELF CONTAINED ALL DOORS								
MODEL	DIMENSION 'A'	H.P	VOLTS	AMPS	PHASE	BTU'S	WEIGHT	CUBE
IRSH-1-2DP	44"	1/4 HP	115v	9.6	1ph	1000	510	40
IRSH-2-4DP	69"	1/3 HP	115v	11.5	1ph	1500	610	61
IRSH-3-6DP	98"	1/2 HP	115v	16.1	1ph	3000	665	85
IRSH-4-8DP	123"	1/2 HP	115v	16.1	1ph	3000	735	105

REMOTE UNITS ALL DOORS							
MODEL	DIMENSION 'A'	VOLTS	AMPS	PHASE	BTU'S	WEIGHT	CUBE
IRRH-1-2DP	26"	115v	2.1	1ph	1000	285	25
IRRH-2-4DP	51"	115v	3.6	1ph	1500	365	46
IRRH-3-6DP	76"	115v	5.1	1ph	3000	430	66
IRRH-4-8DP	101"	115v	5.1	1ph	3000	505	87

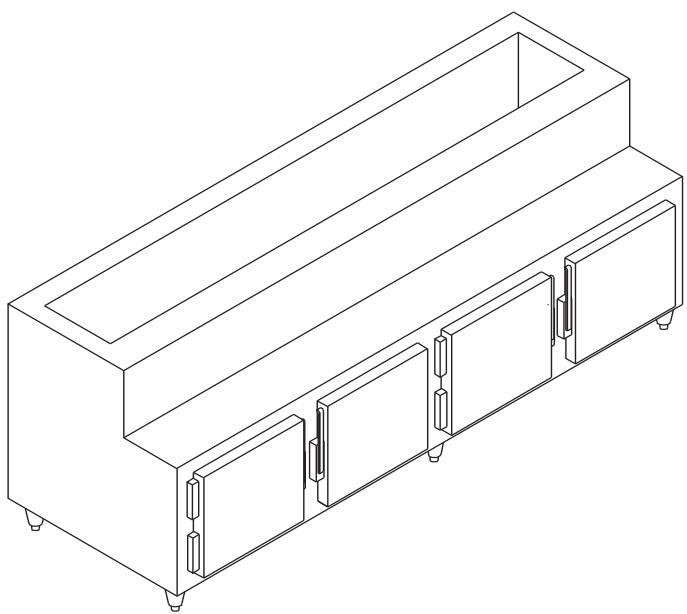


32" PLATE SHELF W/DOORS

MODULAR COMPONENTS

PROJECT _____

ITEM NO. _____



Detail of radius corner and tanked bottom

STANDARD FEATURES

- All Heli-arc welded construction
- All 18 gauge type 304, 18/8 stainless steel interiors and doors
- Polyurethane "shot-in-place" insulation
- Door actuated interior lights
- Compression door gasket (non-magnetic type for longer life)
- Kason edge mount door hardware, extra heavy duty, chrome plated
- Door latch 'Kason
- Door hinges 'Kason
- Easy clean with 3/8 radius interior corners
- Heavy duty breaker strip 'foam-locked' in position
- 6" high stainless steel adjustable legs
- Pre-wired internal flexible conduit to a single point connection
- Self closing door hinges

MODELS

REMOTE PLATE SHELF - 32" BODY HEIGHT ALL DOORS

Length	Depth	#Sections	Model
<input type="checkbox"/> 26"	32"	1	IPRR-1-1D
<input type="checkbox"/> 51"	32"	2	IPRR-2-2D
<input type="checkbox"/> 76"	32"	3	IPRR-3-3D
<input type="checkbox"/> 101"	32"	4	IPRR-4-4D

SELF CONTAINED PLATE SHELF ALL DOORS

Length	Depth	#Sections	Model
<input type="checkbox"/> 44"	32"	1	IPRS-1-1D
<input type="checkbox"/> 69"	32"	2	IPRS-2-2D
<input type="checkbox"/> 94"	32"	3	IPRS-3-3D
<input type="checkbox"/> 119"	32"	4	IPRS-4-4D

OPTIONS

- F Freezer
- SSPR Stainless Steel Right End Panel
- SSPL Stainless Steel Left End Panel
- AS All Stainless Steel Including Ends, Back and Bottom
- CO Cut-out in top (Specify Pan Size and Quantity)
- ST Stainless Steel Top
- NC Night Covers
- SSC Security Screen for Top Opening
- SWS Stainless Steel Wire Racks
- GD Glass Doors
- TS Tray Slide Assembly for 18x26 Trays (Specify Sections)
- CS Casters
- PLD Locking Padlock Assembly for Doors
- DT Dual Temp. Base
- M Custom / Modified Unit
- 38PC NSF 7 Pan Chiller Rail / Maintains 38-Degree Product (Specify Pan Size and Quantity) Available on Counter High and Plate Shelf Bases Only.
- MG Magnetic Gasket



32" PLATE SHELF W/DOORS

MODULAR COMPONENTS

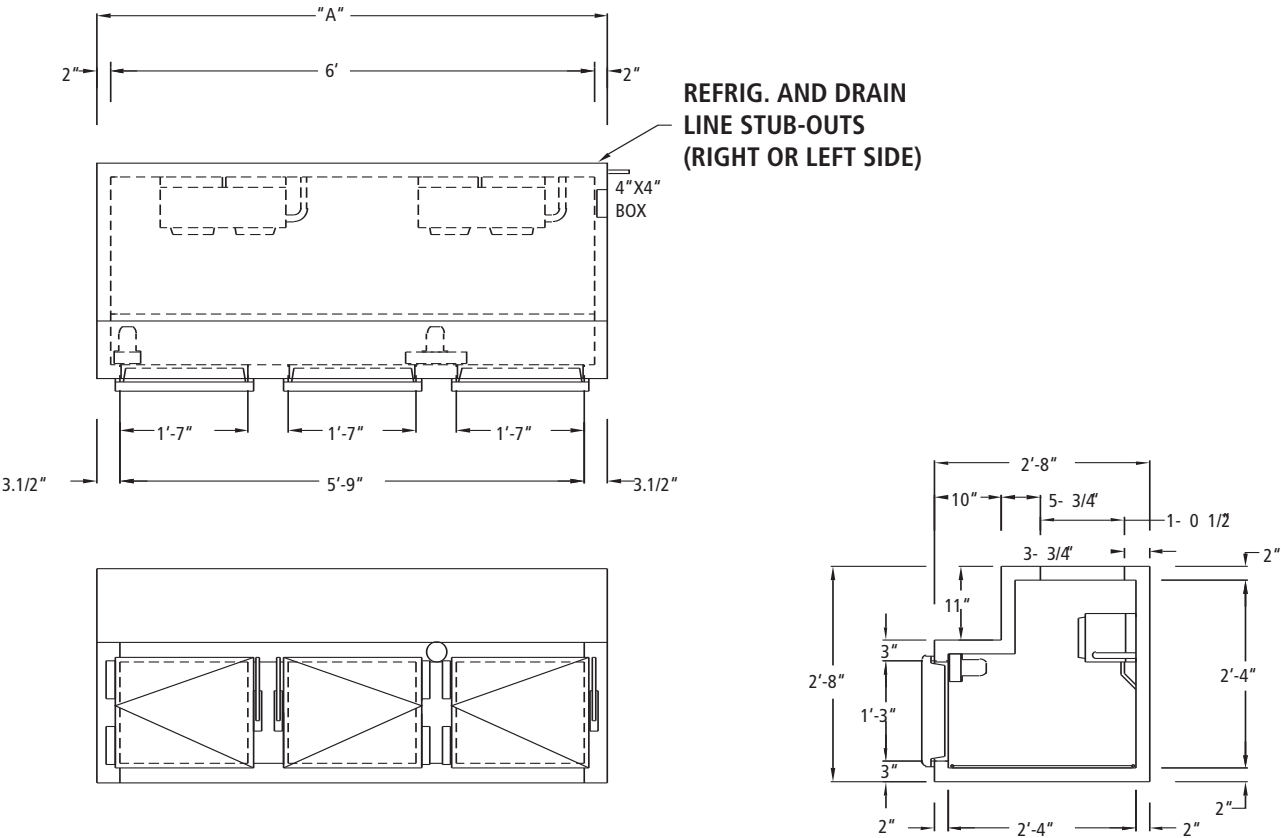


PLATE SHELF REFRIGERATORS 32" BODY HEIGHT

SELF CONTAINED ALL DOORS								
MODEL	DIMENSION 'A'	H.P	VOLTS	AMPS	PHASE	BTU'S	WEIGHT	CUBE
IPRS-1-1D	44"	1/4 HP	115v	9.1	1ph	1000	490	40
IPRS-2-2D	69"	1/3 HP	115v	10.5	1ph	1500	590	61
IPRS-3-3D	94"	1/3 HP	115v	11	1ph	2000	635	85
IPRS-4-4D	119"	1/2 HP	115v	14.9	1ph	3000	695	105

REMOTE UNITS ALL DOORS							
MODEL	DIMENSION 'A'	VOLTS	AMPS	PHASE	BTU'S	WEIGHT	CUBE
IPRR-1-1D	26"	115v	1.6	1ph	1000	265	25
IPRR-2-2D	51"	115v	2.6	1ph	1500	345	46
IPRR-3-3D	76"	115v	3.1	1ph	2000	400	66
IPRR-4-4D	101"	115v	4.1	1ph	3000	465	87

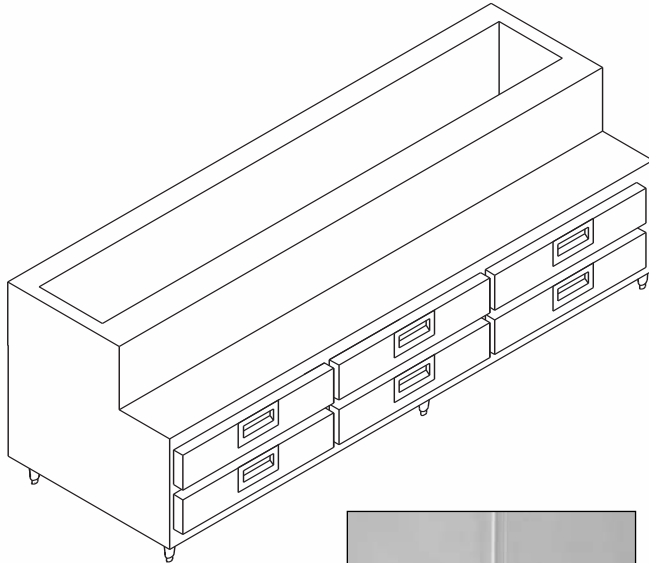


32" PLATE SHELF W/DRAWERS

MODULAR COMPONENTS

PROJECT _____

ITEM NO. _____



**INTEGRAL CENTER POSITION OF DRAWER PULL
WITH POLISHED TRIM CENTER POSITION
PREVENTS ROCKING OF DRAWER**



Detail of radius corner and tanked bottom

STANDARD FEATURES

- All Heli-arc welded construction
- All 18 gauge 304, 18/8 stainless steel interiors front face doors and door backs
- Polyurethane 'shot-in-place' insulation
- 3/8" interior corners
- Polypropylene breaker strip is foamed-locked in-place using no mechanical fasteners
- High compression non-magnetic vinyl door/drawer gasket
- Flush front drawer-pull (built-into-the-face) is centered eliminating wracking of drawer
- Drawers each accommodates two full size pans side-by-side
- Pre-wired electrical conduit is internally installed within inner and outer walls
- Oversized blower coil with expansion valve, thermostat and solenoid valves
- Exclusive 14ga stainless steel drawer track system with 2" skate wheels

MODELS

REMOTE LOW HEIGHT - 32" BODY HEIGHT ALL DRAWERS

Length	Depth	#Sections	Model
<input type="checkbox"/> 33.1/4"	32"	1	IPRR-1-02
<input type="checkbox"/> 63"	32"	2	IPRR-2-04
<input type="checkbox"/> 92"	32"	3	IPRR-3-06
<input type="checkbox"/> 121"	32"	4	IPRR-4-08

SELF CONTAINED LOW HEIGHT - 19" BODY HEIGHT ALL DRAWERS

Length	Depth	#Sections	Model
<input type="checkbox"/> 51"	32"	1	IPRS-1-02
<input type="checkbox"/> 81"	32"	2	IPRS-2-04
<input type="checkbox"/> 110"	32"	3	IPRS-3-06
<input type="checkbox"/> 139"	32"	4	IPRS-4-08

OPTIONS

- F Freezer
- SSPR Stainless Steel Right End Panel
- SSPL Stainless Steel Left End Panel
- AS All Stainless Steel Including Ends, Back and Bottom
- ST Stainless Steel Top
- NC Night Covers
- CS Casters
- SSKW Stainless Steel Skate Wheels
- DPL Locking Padlock Assembly for Drawers
- DT Dual Temp. Base
- M Custom / Modified Unit
- MD3 MD3 Mega Drawer (Accommodates three Full Size Pans Side by Side)
- MG Magnetic Gasket



32" PLATE SHELF W/DRAWERS

MODULAR COMPONENTS

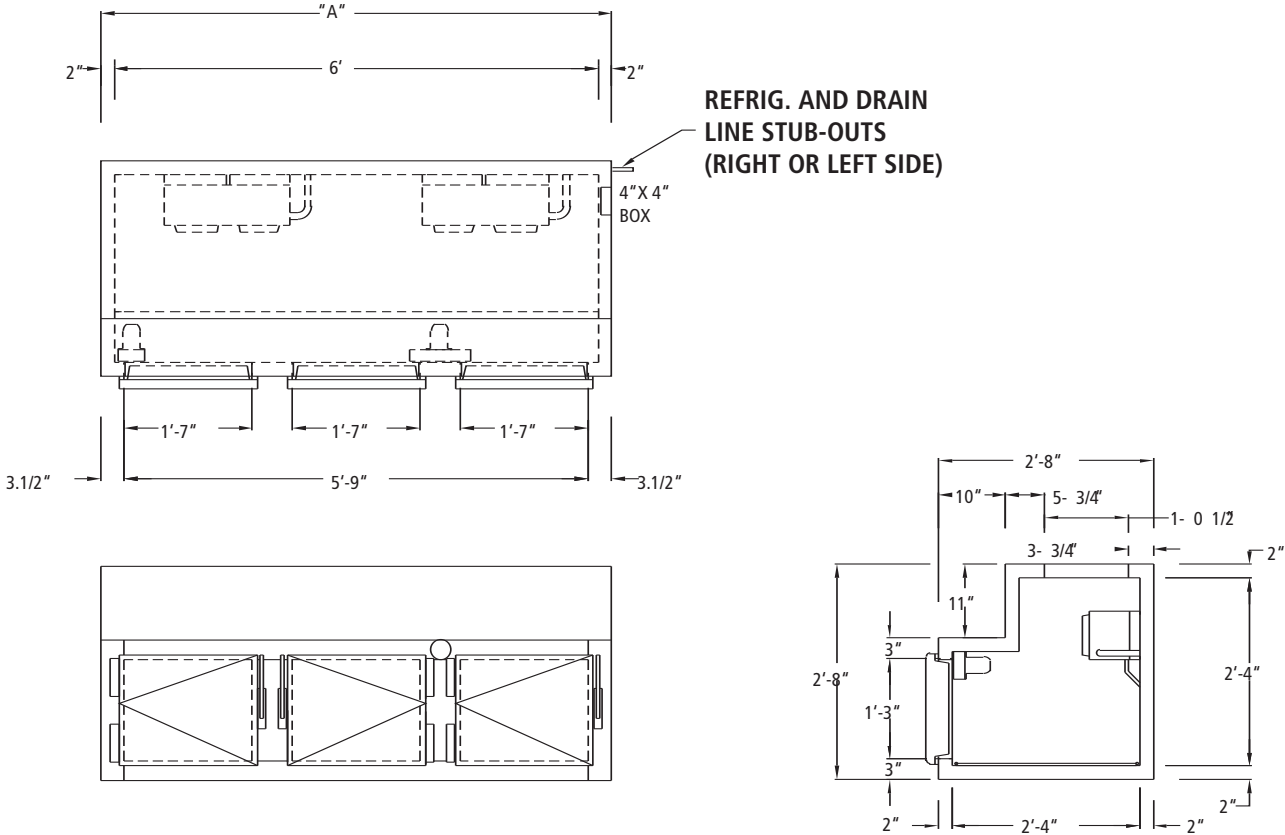


PLATE SHELF REFRIGERATORS 32" BODY HEIGHT

SELF CONTAINED ALL DOORS								
MODEL	DIMENSION 'A'	H.P	VOLTS	AMPS	PHASE	BTU'S	WEIGHT	CUBE
IPRS-1-02	51"	1/4 HP	115v	8.6	1ph	1000	555	46
IPRS-2-04	81"	1/3 HP	115v	10	1ph	2000	720	71
IPRS-3-06	110"	1/2 HP	115v	13.9	1ph	3000	830	98
IPRS-4-08	139"	1/2 HP	115v	13.9	1ph	3000	940	119

REMOTE UNITS ALL DOORS								
MODEL	DIMENSION 'A'	VOLTS	AMPS	PHASE	BTU'S	WEIGHT	CUBE	
IPRR-1-02	33.1/2"	115v	1	1ph	1000	325	31	
IPRR-2-04	63"	115v	2	1ph	2000	455	56	
IPRR-3-06	92"	115v	3	1ph	3000	575	77	
IPRR-4-08	121"	115v	3	1ph	3000	665	104	