



UNDERBAR REFRIGERATORS NOMENCLATURE

I () () - X - XX - X - M
(1) (2) (3) (4) (5) (6) (7)

POSITION (1)	POSITION (2)	POSITION (3)
--------------	--------------	--------------

U UNDERBAR	R - REFRIGERATOR F - FREEZER	R - REMOTE S - SELF CONTAINED
------------	---------------------------------	----------------------------------

POSITION (4)	POSITION (5)	POSITION (6)	POSITION(7)
--------------	--------------	--------------	-------------

1 - ONE SECTION	1D - ONE DOOR	() OPTIONS	M - CUSTOM
2 - TWO SECTIONS	2D - TWO DOORS		
3 - THREE SECTIONS	3D - THREE DOORS		
4 - FOUR SECTIONS	4D - FOUR DOORS		

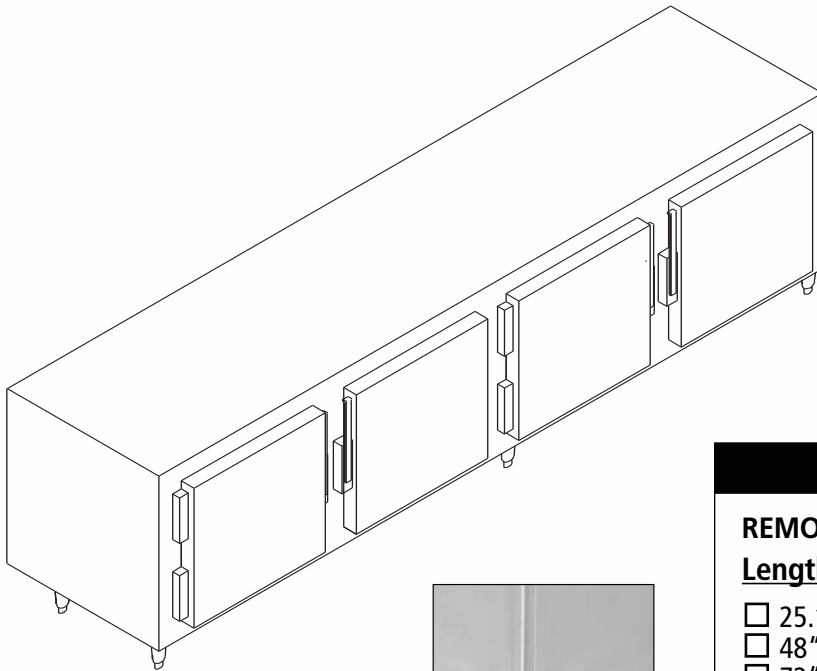


UNDERBAR REFRIGERATORS

MODULAR COMPONENTS

PROJECT _____

ITEM NO. _____



DETAIL OF RADIUS CORNER AND TANKED BOTTOM



MODELS

REMOTE ALL DOORS

Length	Depth	#Sections	Model
<input type="checkbox"/> 25.1/2"	22"	1	IURR-1-1D
<input type="checkbox"/> 48"	22"	2	IURR-2-2D
<input type="checkbox"/> 72"	22"	3	IURR-3-3D
<input type="checkbox"/> 96"	22"	4	IURR-4-4D

SELF CONTAINED ALL DOORS

Length	Depth	#Sections	Model
<input type="checkbox"/> 43.1/2"	22"	1	IURS-1-1D
<input type="checkbox"/> 66"	22"	2	IURS-2-2D
<input type="checkbox"/> 90"	22"	3	IURS-3-3D
<input type="checkbox"/> 114"	22"	4	IURS-4-4D

STANDARD FEATURES

- All Heli-arc welded construction
- All 18 gauge type 304, 18/8 stainless steel interiors and doors
- Polyurethane "shot-in-place" insulation
- Door actuated interior lights
- Compression door gasket (non-magnetic type for longer life)
- Kason edge mount door hardware, extra heavy duty, chrome plated
- Door latch 'Kason'
- Door hinges 'Kason'
- Easy clean with 3/8 radius interior corners
- Heavy duty breaker strip 'foam-locked' in position
- 6" high stainless steel adjustable legs
- Pre-wired internal flexible conduit to a single point connection
- Self closing door hinges

OPTIONS

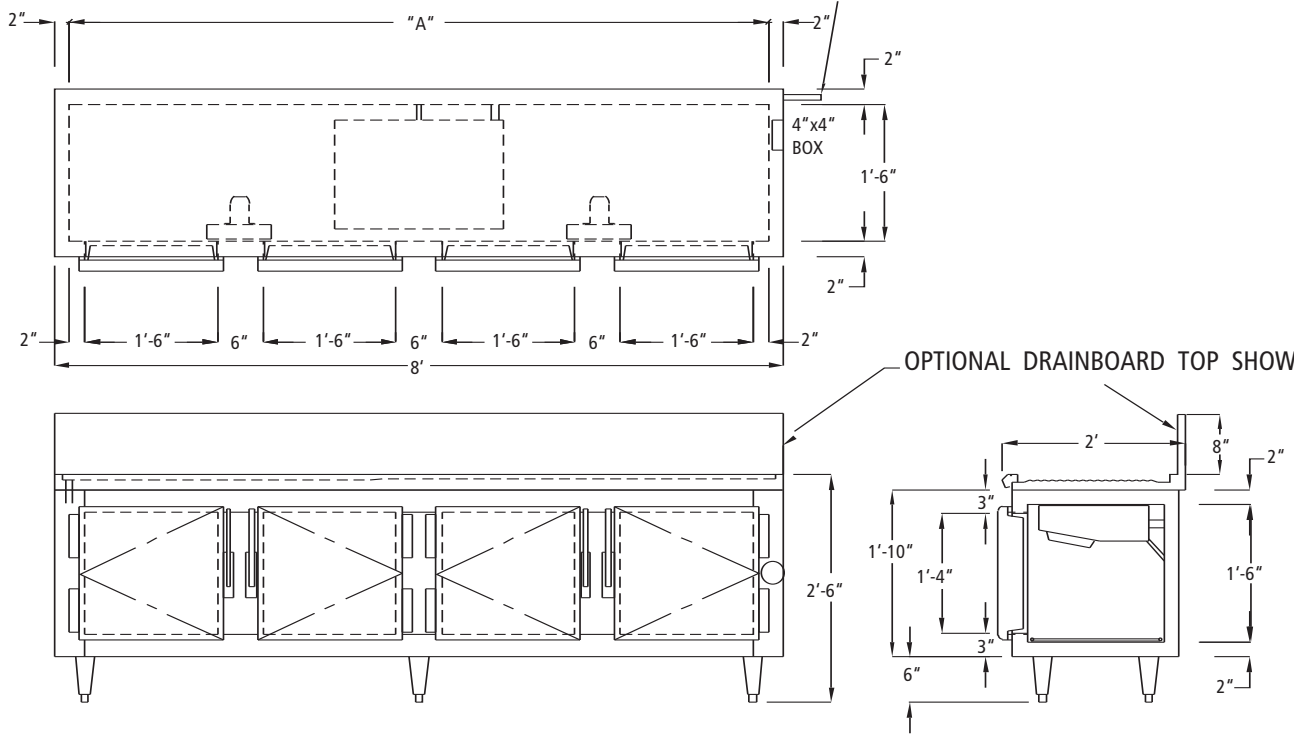
- D Drainboard Top
- F Freezer
- ST Stainless steel top - turn down all round
- SM Stainless steel top - marine all round
- BS 4" high back splash to st/st top
- SS 4" high side splash to st/st top (each)
- DL Door locks
- ET Condensate evaporator tray for remote units
- SSP Stainless steel side panels (each)
- AS All stainless steel
- SSR Stainless steel rear panel
- SWS Stainless steel wire shelves
- CM Curb mount plinth
- CS Casters heavy duty
- SF Stainless steel flange feet
- DT Dual temp
- M Modified / Custom



UNDERBAR REFRIGERATORS

MODULAR COMPONENTS

REFRIG. AND
DRAIN LINE
STUB-OUTS (right or left side)



UNDERBAR REFRIGERATORS SELF CONTAINED ALL DOORS

MODEL	DIMENSION 'A'	H.P	VOLTS	AMPS	PHASE	BTU'S	WEIGHT	CUBE
IURS-1-1D	43.1/2"	1/4 HP	115v	8.9	1ph	800	295	24
IURS-2-2D	66"	1/4 HP	115v	9.3	1ph	1000	465	36
IURS-3-3D	90"	1/4 HP	115v	9.3	1ph	1000	605	49
IURS-4-4D	114"	1/3 HP	115v	10.3	1ph	1300	675	61

UNDERBAR REFRIGERATORS REMOTE UNITS ALL DOORS

MODEL	DIMENSION 'A'	VOLTS	AMPS	PHASE	BTU'S	WEIGHT	CUBE
IURR-1-1D	25.1/2"	115v	1.3	1ph	800	175	15
IURR-2-2D	48"	115v	1.7	1ph	1000	340	27
IURR-3-3D	72"	115v	1.7	1ph	1000	480	39
IURR-4-4D	96"	115v	2.3	1ph	1300	550	52



BOTTLE COOLER NOMENCLATURE

I() - X - XX - X - M
(1) (2) (3) (4) (5)

POSITION (1)

BC BOTTLE COOLER

POSITION (2)

S - SELF CONTAINED
R - REMOTE

POSITION (3)

1 - ONE SLIDING COVER
2 - TWO SLIDING COVERS

POSITION (4)

24 - 24" WIDE
36 - 36" WIDE
48 - 48" WIDE
72 - 72" WIDE

POSITION (5)

M-CUSTOM



BOTTLE COOLERS

MODULAR COMPONENTS

PROJECT _____

ITEM NO. _____



**EXCLUSIVE INTEGRATED
PULL HANDLE WITH
LIFETIME WARRANTY**



CONFORMS TO
ANSI/NSF STD 7

STANDARD FEATURES

- All Heli-arc welded construction
- All 16 gauge type 304, 18/8 stainless steel
- Attractive high polished bullnose edge to front
- Polyurethane 'shot-in-place' insulation throughout (including sliding lid)
- 1/2" x 3" brass drain
- High polished front bullnose and integrated pull handle match beautifully with adjacent work board
- Adjustable wire shelves for maximum interior space flexibility
- High efficiency, fully balance refrigeration system with oversized evaporator coil, expansion valve, adjustable automatic thermostat. Compressor slides out easily in-place servicing. Copper line drains condensation to evaporator pan

MODELS

Length	Depth	Internal Dimensions	Model
<input type="checkbox"/> 24"25"20" X 18" X 18"IBCS-1-24
<input type="checkbox"/> 36"25"32" X 18" X 25"IBCS-1-36
<input type="checkbox"/> 48"25"44" X 18" X 25"IBCS-2-48
<input type="checkbox"/> 72"25"68" X 18" X 25"IBCS-2-72

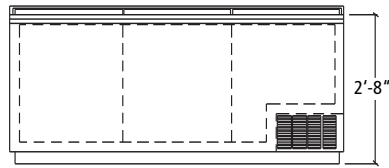
OPTIONS

<input type="checkbox"/> CS	Casters Heavy Duty
<input type="checkbox"/> DL	Door locks
<input type="checkbox"/> SSP	Stainless steel side panels (each)
<input type="checkbox"/> AS	All stainless steel
<input type="checkbox"/> SWS	Stainless steel wire shelves
<input type="checkbox"/> M	Modified / Custom
<input type="checkbox"/> R	Remote

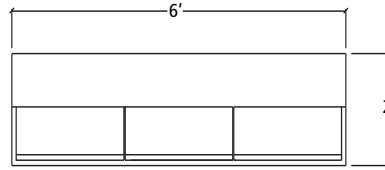


BOTTLE COOLERS

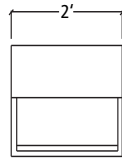
MODULAR COMPONENTS



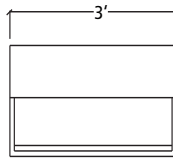
ELEVATION



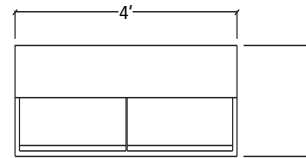
IBCS-3-72



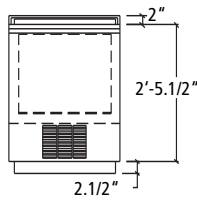
IBCS-1-24



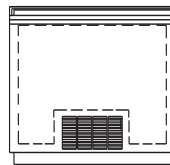
IBCS-1-36



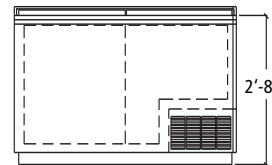
IBCS-2-48



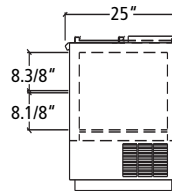
ELEVATION



ELEVATION



ELEVATION



END ELEVATION

BOTTLE COOLERS 25" BODY DEPTH

SELF CONTAINED INTERNAL								
MODEL	DIMENSION 'A'	H.P	VOLTS	AMPS	PHASE	BTU'S	WEIGHT	CUBE
IBCS-1-24	20" X 18" X 18"	1/4 HP	115v	6.6	1ph	1000	175	18
IBCS-1-36	32" X 18" X 25"	1/4 HP	115v	6.6	1ph	1000	250	26
IBCS-2-48	44" X 18" X 25"	1/3 HP	115v	8.5	1ph	1300	325	34
IBCS-2-72	68" X 18" X 25"	1/3 HP	115v	8.5	1ph	1300	440	46

For all stainless steel models, add "SS" to end of part number.

OTHER TECHNICAL NOTES:

Provided with 6ft. cord and plug. Can be modified for other voltages; contact factory
No drain required



GLASS FROSTER NOMENCLATURE

I() - X - XX - X - M
(1) (2) (3) (4) (5)

POSITION (1)

GF GLASS FROSTER

POSITION (2)

S - SELF CONTAINED
R - REMOTE

POSITION (3)

1 - ONE SLIDING COVER
2 - TWO SLIDING COVERS

POSITION (4)

24 - 24" WIDE
36 - 36" WIDE
48 - 48" WIDE
72 - 72" WIDE

POSITION (5)

M-CUSTOM



GLASS / MUG FROSTER

MODULAR COMPONENTS

PROJECT _____

ITEM NO. _____



**EXCLUSIVE INTEGRATED
PULL HANDLE WITH
LIFETIME WARRANTY**



CONFORMS TO
ANSI/NSF STD 7

STANDARD FEATURES

- All Heli-arc welded construction
- All 16 gauge type 304, 18/8 stainless steel
- Attractive high polished bullnose edge to front
- Polyurethane 'shot-in-place' insulation throughout (including sliding lid)
- 1/2" x 3" brass drain
- High polished front bullnose and integrated pull handle match beautifully with adjacent work board
- Adjustable wire shelves for maximum interior space flexibility
- Interior light
- High efficiency, fully balance refrigeration system with oversized evaporator coil, expansion valve, adjustable automatic thermostat and automatic defrost cycle. Compressor slides out easily in-place servicing. Copper line drains condensation to evaporator pan

MODELS

Length	Depth	Internal Dimensions	Model
<input type="checkbox"/> 24"25"20" X 18" X 18"IGFS-1-24
<input type="checkbox"/> 36"25"32" X 18" X 18"IGFS-1-36
<input type="checkbox"/> 48"25"44" X 18" X 18"IGFS-2-48
<input type="checkbox"/> 72"25"68" X 18" X 18"IGFS-2-72

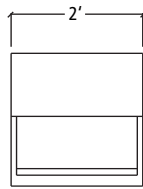
OPTIONS

- DL Door locks
- SSP Stainless steel side panels (each)
- AS All stainless steel
- SWS Stainless steel wire shelves
- CS Casters heavy duty
- M Modified / Custom
- R Remote

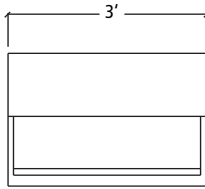


GLASS / MUG FROSTER

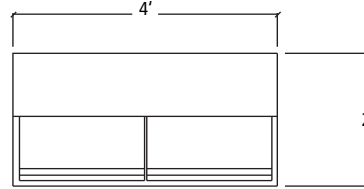
MODULAR COMPONENTS



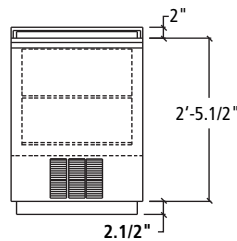
IGFS-1-24



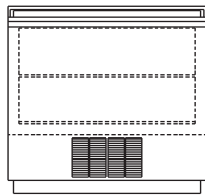
IGFS-1-36



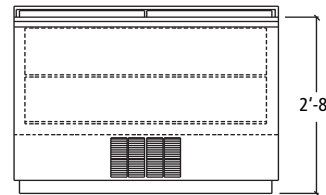
IGFS-1-48



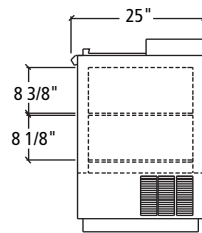
ELEVATION



ELEVATION



ELEVATION



END ELEVATION

GLASS / MUG FROSTERS 25" BODY DEPTH

SELF CONTAINED INTERNAL								
MODEL	DIMENSION 'A'	H.P	VOLTS	AMPS	PHASE	BTU'S	WEIGHT	CUBE
IBCS-1-24	20" X 18" X 18"	1/4 HP	115v	6.6	1ph	1000	175	18
IGFS-1-24	20" X 18" X 18"	1/4 HP	115v	6.6	1ph	1000	175	18
IGFS-1-36	32" X 18" X 18"	1/3 HP	115v	6.9	1ph	1300	250	26
IGFS-2-48	44" X 18" X 18"	1/3 HP	115v	6.9	1ph	1300	325	34
IGFS-2-72	68" X 18" X 18"	1/3 HP	115v	6.9	1ph	1300	440	46

For all stainless steel models, add "SS" to end of part number.

OTHER TECHNICAL NOTES:

Provided with 6ft. cord and plug. Can be modified for other voltages; contact factory
No drain required



IX () () - XX - X - X - X - M
(1) (2) (3) (4) (5) (6) (7) CUSTOM

POSITION (1)		POSITION (2)		POSITION (3)		POSITION (4)	
BC	COUNTER HEIGHT	R	REFRIGERATOR	R	REMOTE	1D	ONE DOOR
BL	LOWER HEIGHT	F	FREEZER	S	SELF CONTAINED	2D	TWO DOORS
		K	BEER KEG			3D	THREE DOORS
		DS	DRY STORAGE			4D	FOUR DOORS

POSITION (5)		POSITION (6)		POSITION (7)		POSITION (8)	
P	PASS THROUGH	LD	LAMINATED DOORS	()	OPTIONS	M	Custom
		SSD	STAINLESS STEEL DOORS				
		FLD	FIELD LAMINATED DOORS				
		GD	GLASS DOORS				

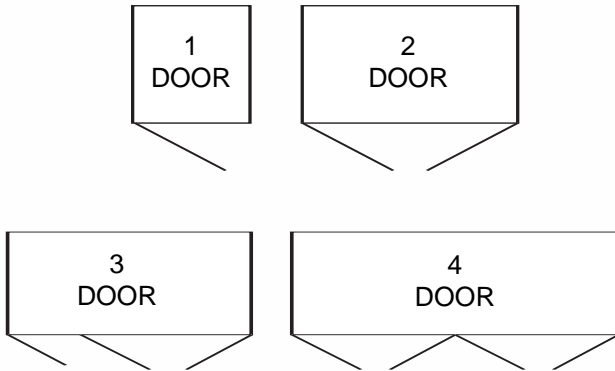


STANDARD HINGING

PROJECT _____

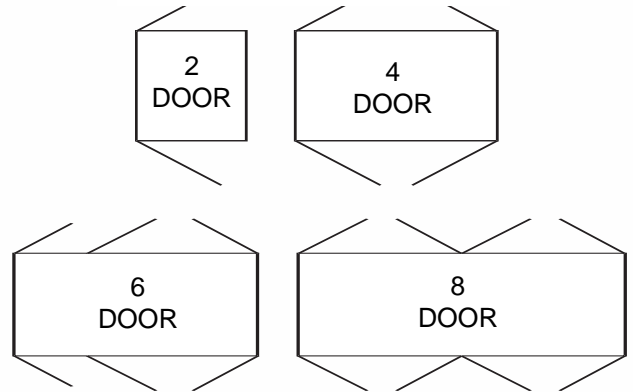
ITEM NO. _____

SINGLE SIDE ENTRY



For special hinging specify per the following example: From left to right facing L L L R

PASS THROUGH ENTRY



For special hinging specify per the following example: From left to right facing L L L R rear R R R L

STANDARD FEATURES

- All Heli-arc welded construction
- All 18 gauge 304, 18/8 stainless steel interiors front face doors and door backs
- Polyurethane 'shot-in-place' insulation
- 3/8" interior corners
- Polypropylene breaker strip is foamed-locked in-place using no mechanical fasteners
- Vinyl door gasket
- Door actuated lights
- Oversized blower coil with expansion valve, thermostat and solenoid valves
- Adjustable wire shelves

DOOR OPTIONS

- GD Glass doors
- SSD Stainless Steel doors
- LD Laminated doors
- FLD Field laminated doors
- SSP Stainless Steel picture frame for field laminated or factory laminated doors

OPTIONS

- SSPR Stainless steel right end panel
- SSPL Stainless steel left end panel
- AS All stainless steel including ends, back and bottom
- CO Cut-out in top (specify pan size and quantity)
- ST Stainless steel top
- SWS Stainless steel wire racks
- GS Glass doors
- BH Brass hardware
- CS Casters
- DT Dual temp. base
- RCP Remote compressor
- M Custom / Modified
- MG Magnetic Gasket

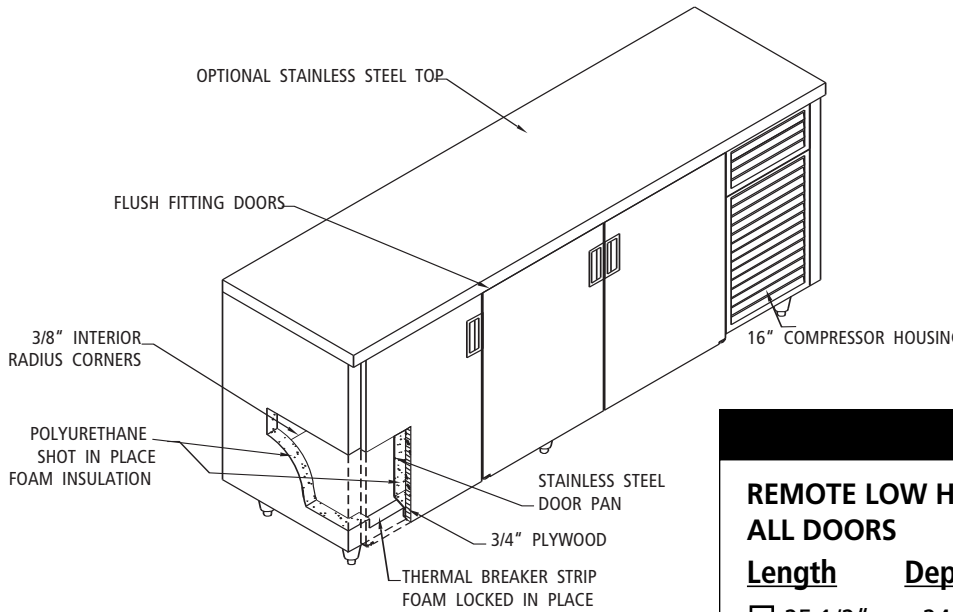


32" HIGH BACKBAR

MODULAR COMPONENTS

PROJECT _____

ITEM NO. _____



Detail of radius corner and tanked bottom



MODELS

REMOTE LOW HEIGHT - 32" BODY HEIGHT ALL DOORS

Length	Depth	#Sections	Model
<input type="checkbox"/> 25.1/2"24"1IBLRR-1D
<input type="checkbox"/> 48"24"2IBLRR-2D
<input type="checkbox"/> 72"24"3IBLRR-3D
<input type="checkbox"/> 96"24"4IBLRR-4D

SELF CONTAINED LOW HEIGHT REFRIGERATORS ALL DOORS

Length	Depth	#Sections	Model
<input type="checkbox"/> 43.1/2"24"1IBLRS-1D
<input type="checkbox"/> 66"24"2IBLRS-2D
<input type="checkbox"/> 90"24"3IBLRS-3D
<input type="checkbox"/> 114"24"4IBLRS-4D

STANDARD FEATURES

- All Heli-arc welded construction
- All 18 gauge type 304, 18/8 stainless steel interiors and doors
- Polyurethane "shot-in-place" insulation
- Door actuated interior lights
- Magnetic door gasket
- Easy clean with 3/8 radius interior corners
- Heavy duty breaker strip 'foam-locked' in position
- Pre-wired internal flexible conduit to a single point connection

OPTIONS

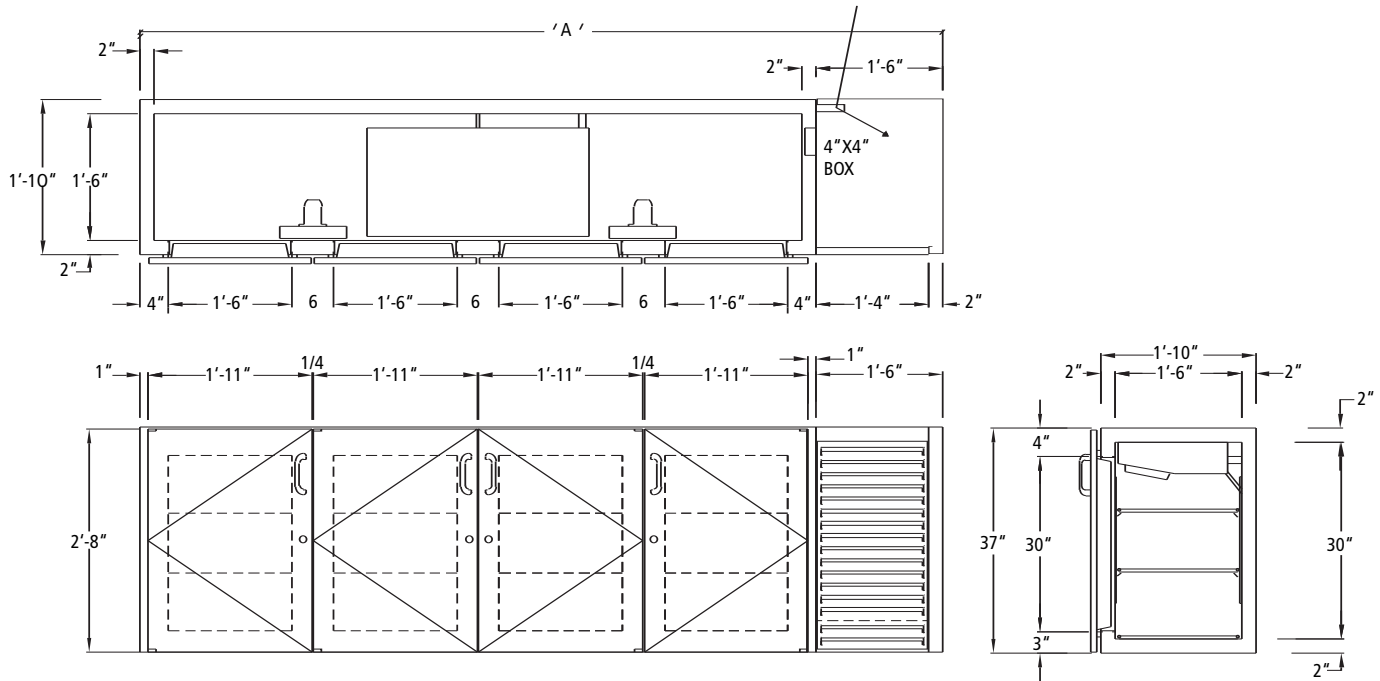
- F Freezer
- FLD Field Laminated Door
- ST Stainless Steel Top
- DS Dry Storage
- LD Laminated Doors
- GD Glass Doors
- SSD Stainless Steel Doors
- SWS Stainless Steel Wire Shelves
- CS Heavy Duty Casters
- CL 6" High Counter Legs
- DL Door locks (Each)
- SSP Stainless Steel Side Panels (Each)
- SSR Stainless Steel Rear Panel
- SSB Stainless Steel Bottom Panel
- M Custom / Modified Unit



32" HIGH BACKBAR

MODULAR COMPONENTS

COMPRESSOR HOUSING REFRIGERATION AND DRAIN LINE STUB-OUTS (RIGHT OR LEFT SIDE)



BACKBAR REFRIGERATORS 32" BODY HEIGHT

SELF CONTAINED								
MODEL	DIMENSION 'A'	H.P	VOLTS	AMPS	PHASE	BTU'S	WEIGHT	CUBE
IBLRS-1D	43.1/2"	1/4 HP	115v	8.9	1ph	800	490	35
IBLRS-2D	66"	1/4 HP	115v	9.3	1ph	1000	590	51
IBLRS-3D	90"	1/3 HP	115v	10.3	1ph	1300	640	68
IBLRS-4D	114"	1/2 HP	115v	11.8	1ph	2300	970	86

REMOTE UNITS							
MODEL	DIMENSION 'A'	VOLTS	AMPS	PHASE	BTU'S	WEIGHT	CUBE
IBLRR-1D	25.1/2"	115v	1.3	1ph	800	262	21
IBLRR-2D	48"	115v	1.7	1ph	1000	330	38
IBLRR-3D	72"	115v	2.3	1ph	1300	380	55
IBLRR-4D	96"	115v	3.7	1ph	2300	440	73

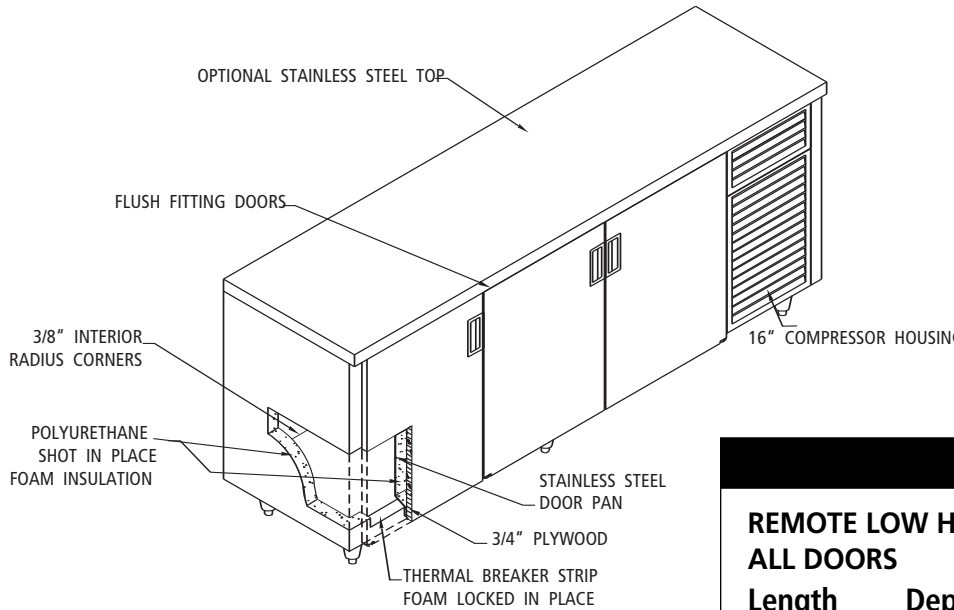


37" HIGH BACKBAR

MODULAR COMPONENTS

PROJECT _____

ITEM NO. _____



Detail of radius corner and tanked bottom



MODELS

REMOTE LOW HEIGHT - 37" BODY HEIGHT ALL DOORS

Length	Depth	#Sections	Model
<input type="checkbox"/> 25.1/2"24"1.....	IBCRR-1D
<input type="checkbox"/> 48"24"2.....	IBCRR-2D
<input type="checkbox"/> 72"24"3.....	IBCRR-3D
<input type="checkbox"/> 96"24"4.....	IBCRR-4D

SELF CONTAINED LOW HEIGHT REFRIGERATORS ALL DOORS

Length	Depth	#Sections	Model
<input type="checkbox"/> 43.1/2"24"1.....	IBCRRS-1D
<input type="checkbox"/> 66"24"2.....	IBCRRS-2D
<input type="checkbox"/> 90"24"3.....	IBCRRS-3D
<input type="checkbox"/> 114"24"4.....	IBCRRS-4D

STANDARD FEATURES

- All Heli-arc welded construction
- All 18 gauge type 304, 18/8 stainless steel interiors and doors
- Polyurethane "shot-in-place" insulation
- Door actuated interior lights
- Magnetic door gasket
- Easy clean with 3/8 radius interior corners
- Heavy duty breaker strip 'foam-locked' in position
- Pre-wired internal flexible conduit to a single point connection

OPTIONS

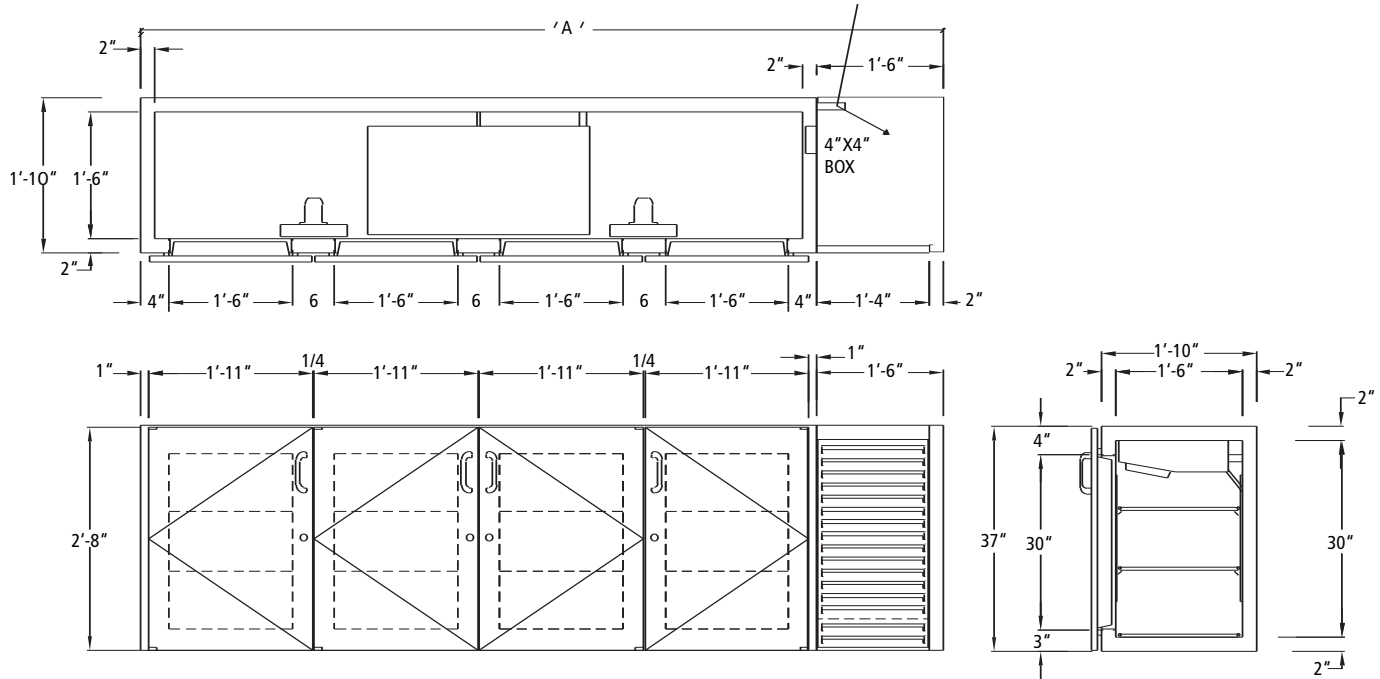
- F Freezer
- FLD Field Laminated Door
- ST Stainless Steel Top
- DS Dry Storage
- LD Laminated Doors
- GD Glass Doors
- SSD Stainless Steel Doors
- SWS Stainless Steel Wire Shelves
- CS Heavy Duty Casters
- CL 6" high stainless steel adjustable legs
- DL Door locks (Each)
- SSP Stainless Steel Side Panels (Each)
- SSR Stainless Steel Rear Panel
- SSB Stainless Steel Bottom Panel
- M Custom / Modified Unit



37" HIGH BACKBAR

MODULAR COMPONENTS

COMPRESSOR HOUSING REFRIGERATION AND DRAIN LINE STUB-OUTS (RIGHT OR LEFT SIDE)



BACKBAR REFRIGERATORS 37" BODY HEIGHT

SELF CONTAINED								
MODEL	DIMENSION 'A'	H.P	VOLTS	AMPS	PHASE	BTU'S	WEIGHT	CUBE
IBCRS-1D	43.1/2"	1/4 HP	115v	8.9	1ph	800	520	53
IBCRS-2D	66"	1/4 HP	115v	9.3	1ph	1000	630	53
IBCRS-3D	90"	1/3 HP	115v	10.3	1ph	1300	690	71
IBCRS-4D	114"	1/2 HP	115v	11.8	1ph	2300	1030	90

REMOTE UNITS							
MODEL	DIMENSION 'A'	VOLTS	AMPS	PHASE	BTU'S	WEIGHT	CUBE
IBCR-1D	25.1/2"	115v	1.3	1ph	800	292	22
IBCR-2D	48"	115v	1.7	1ph	1000	370	39
IBCR-3D	72"	115v	2.3	1ph	1300	430	58
IBCR-4D	96"	115v	3.7	1ph	2300	500	76

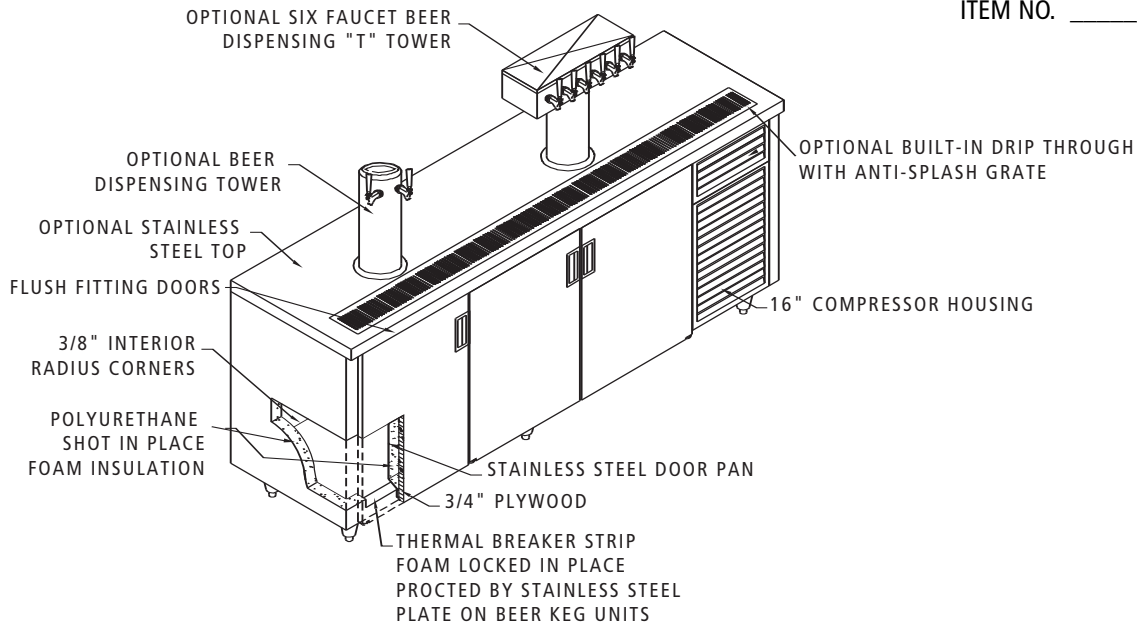


37" HIGH BACKBAR

MODULAR COMPONENTS

PROJECT _____

ITEM NO. _____



Detail of radius corner and tanked bottom



MODELS

REMOTE COUNTER HEIGHT - 37" BODY HEIGHT
ALL DOORS

Length	Depth	#Sections	Model
<input type="checkbox"/> 26"24"1IBCKR-1D
<input type="checkbox"/> 51"24"2IBCKR-2D
<input type="checkbox"/> 76"24"3IBCKR-3D
<input type="checkbox"/> 101"24"4IBCKR-4D

STANDARD FEATURES

- All Heli-arc welded construction
- All 18 gauge type 304, 18/8 stainless steel interiors and doors
- Polyurethane "shot-in-place" insulation
- Door actuated interior lights
- Magnetic door gasket
- Easy clean with 3/8 radius interior corners
- Heavy duty breaker strip 'foam-locked' in position
- Pre-wired internal flexible conduit to a single point connection

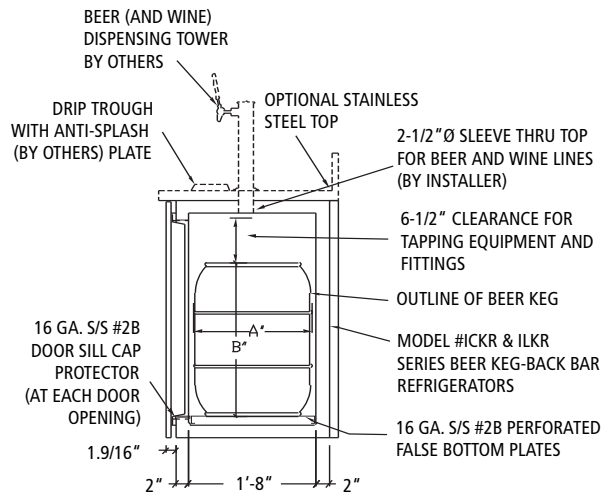
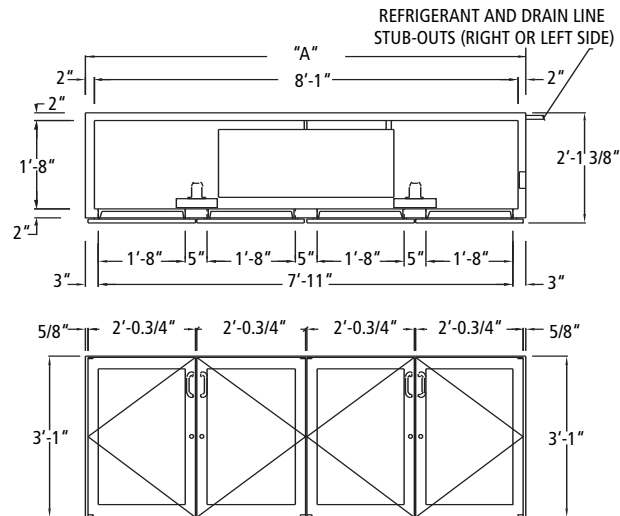
OPTIONS

- LD Laminated Doors
- FLD Field Laminated Door
- ST Stainless Steel Top
- SSD Stainless Steel Doors
- CS Heavy Duty Casters
- CL 6" high stainless steel adjustable legs
- DL Door locks (Each)
- SSP Stainless Steel Side Panels (Each)
- SSR Stainless Steel Rear Panel
- SSB Stainless Steel Bottom Panel
- S Self Contained
- M Custom / Modified Unit



37" HIGH BACKBAR

MODULAR COMPONENTS



NOTE:
 BARREL SIZES VARY PER
 MANUFACTURE
 SIZES NOTED ARE MAXIMUM
 DIMENSIONAL STANDARDS
 1/2 BARREL EQUALS 16
 GALLON CAPACITY

BARREL SIZE	BEER BARREL OUTSIDE DIMENSIONS		MINIMUM DOOR OPENING WITH TAPPING EQUIP. ATTACHED		BARREL WEIGHT (FULL)
	A™	B™	WIDTH	HEIGHT	
1/8 BARREL	13™	15™	19™	23™	55 LBS
1/4 BARREL	15™	16-1/2™	19™	23™	85 LBS
1/2 BARREL	18-1/2™	24™	19™	31™	160 LBS

BEER KEG REFRIGERATORS 37" BODY HEIGHT

REMOTE UNITS ALL DOORS							
MODEL	DIMENSION 'A'	VOLTS	AMPS	PHASE	BTU'S	WEIGHT	CUBE
IBCKR-1D	26"	115v	1.2	1ph	1000	292	22
IBCKR-2D	51"	115v	2.3	1ph	1300	370	39
IBCKR-3D	76"	115v	2.3	1ph	1700	430	58
IBCKR-4D	101"	115v	2.3	1ph	2300	500	76

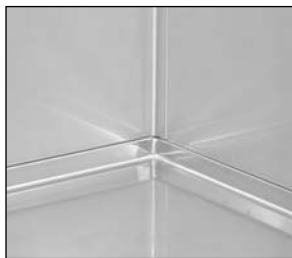
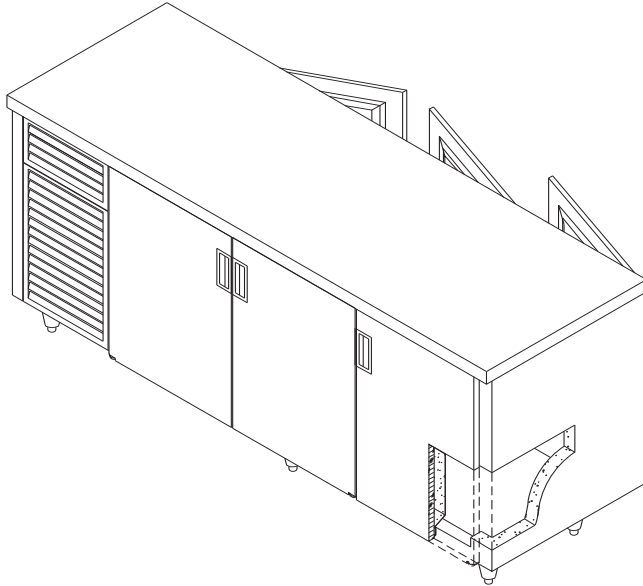


PASS THRU BACKBAR

MODULAR COMPONENTS

PROJECT _____

ITEM NO. _____



Detail of radius corner and tanked bottom



MODELS

REMOTE COUNTER HEIGHT - 37" BODY HEIGHT ALL DOORS

Length	Depth	#Sections	Model
<input type="checkbox"/> 25.1/2"	30"	1	IBCRR-2DPN
<input type="checkbox"/> 48"	30"	2	IBCRR-4DPN
<input type="checkbox"/> 72"	30"	3	IBCRR-6DPN
<input type="checkbox"/> 96"	30"	4	IBCRR-8DPN

SELF CONTAINED COUNTER HEIGHT - 37" BODY HEIGHT 30" BODY DEPTH ALL DOORS

<input type="checkbox"/> 43.1/2"	30"	1	IBCRS-2DPN
<input type="checkbox"/> 66"	30"	2	IBCRS-4DPN
<input type="checkbox"/> 90"	30"	3	IBCRS-6DPN
<input type="checkbox"/> 114"	30"	4	IBCRS-8DPN

REMOTE COUNTER HEIGHT - 37" BODY HEIGHT 36" BODY DEPTH ALL DOORS

<input type="checkbox"/> 25.1/2"	36"	1	IBCRR-2DPD
<input type="checkbox"/> 48"	36"	2	IBCRR-4DPD
<input type="checkbox"/> 72"	36"	3	IBCRR-6DPD
<input type="checkbox"/> 96"	36"	4	IBCRR-8DPD

SELF CONTAINED COUNTER HEIGHT - 37" BODY HEIGHT 36" BODY DEPTH ALL DOORS

<input type="checkbox"/> 43.1/2"	36"	1	IBCRR-2DPD
<input type="checkbox"/> 66"	36"	2	IBCRS-4DPD
<input type="checkbox"/> 90"	36"	2	IBCRS-6DPD
<input type="checkbox"/> 114"	36"	4	IBCRS-8DPD

STANDARD FEATURES

- All Heli-arc welded construction
- All 18 gauge type 304, 18/8 stainless steel interiors and doors
- Polyurethane "shot-in-place" insulation
- Door actuated interior lights
- Magnetic door gasket
- Easy clean with 3/8 radius interior corners
- Heavy duty breaker strip 'foam-locked' in position
- Pre-wired internal flexible conduit to a single point connection

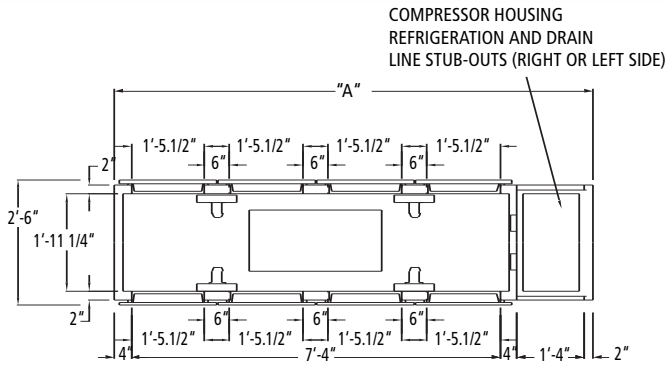
OPTIONS

- F Freezer
- FLD Field Laminated Door
- ST Stainless Steel Top
- LD Laminated Doors
- GD Glass Doors
- SSD Stainless Steel Doors
- SWS Stainless Steel Wire Shelves
- CS Heavy Duty Casters
- CL 6" High Counter Legs
- DL Door locks (Each)
- SSP Stainless Steel Side Panels (Each)
- SSR Stainless Steel Rear Panel
- SSB Stainless Steel Bottom Panel
- M Custom / Modified Unit

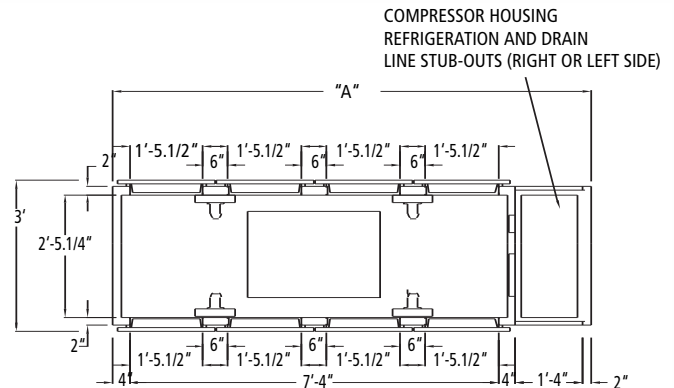


PASS THRU BACKBAR

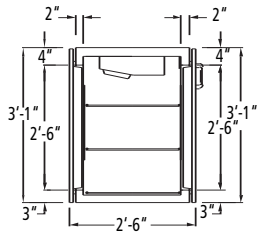
MODULAR COMPONENTS



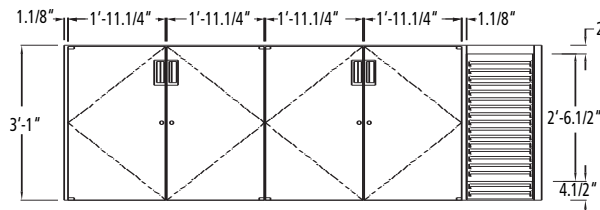
PLAN VIEW 30" BODY



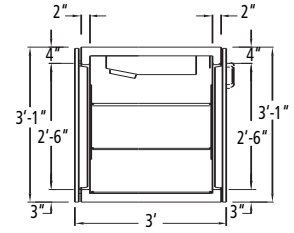
PLAN VIEW 36" BODY



SECTION 30" BODY



DOOR



SECTION 36" BODY

PASS THROUGH BACKBAR REFRIGERATORS - 37" BODY HEIGHT - 30" BODY DEPTH

SELF CONTAINED ALL DOORS								
MODEL	DIMENSION 'A'	H.P	VOLTS	AMPS	PHASE	BTU'S	WEIGHT	CUBE
IBCRS-2DPN	43.1/2"	1/4 HP	115v	9.3	1ph	800	530	44
IBCRS-4DPN	66"	1/3 HP	115v	11.5	1ph	1300	650	65
IBCRS-6DPN	90"	1/2 HP	115v	12	1ph	2000	720	87
IBCRS-8DPN	114"	3/4 HP	115v	16.1	1ph	3000	1070	109

REMOTE UNITS ALL DOORS								
MODEL	DIMENSION 'A'	H.P	VOLTS	AMPS	PHASE	BTU'S	WEIGHT	CUBE
IBCR-2DPND	25.1/2"	-	115v	1.8	1ph	800	272	27
IBCR-4DPND	48"	-	115v	3.6	1ph	1300	350	48
IBCR-6DPND	72"	-	115v	4.1	1ph	2000	420	70
IBCR-8DPND	96"	-	115v	5.1	1ph	3000	480	92

PASS THROUGH BACKBAR REFRIGERATORS - 37" BODY HEIGHT - 36" BODY DEPTH

SELF CONTAINED ALL DOORS								
MODEL	DIMENSION 'A'	H.P	VOLTS	AMPS	PHASE	BTU'S	WEIGHT	CUBE
IBCRS-2DPD	43.1/2"	1/4 HP	115v	9.3	1ph	800	530	44
IBCRS-4DPD	66"	1/3 HP	115v	11.5	1ph	1300	650	65
IBCRS-6DPD	90"	1/2 HP	115v	12	1ph	2000	720	87
IBCRS-8DPD	114"	3/4 HP	115v	16.1	1ph	3000	1070	109

REMOTE UNITS ALL DOORS								
MODEL	DIMENSION 'A'	H.P	VOLTS	AMPS	PHASE	BTU'S	WEIGHT	CUBE
IBCR-2DP	25.1/2"	-	115v	1.8	1ph	800	272	27
IBCR-4DP	48"	-	115v	3.6	1ph	1300	350	48
IBCR-6DP	72"	-	115v	4.1	1ph	2000	420	70
IBCR-8DP	96"	-	115v	5.1	1ph	3000	480	92