

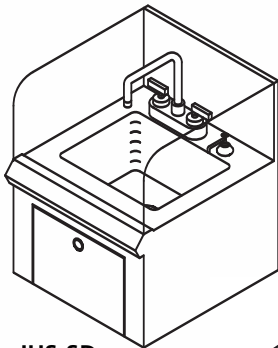


# HAND SINK

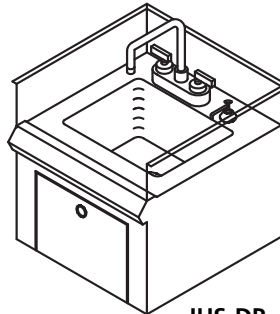
## MODULAR COMPONENTS

PROJECT \_\_\_\_\_

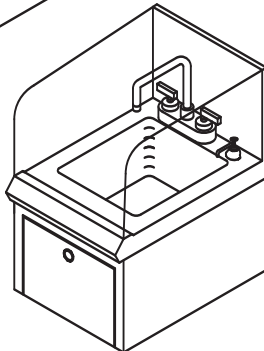
ITEM NO. \_\_\_\_\_



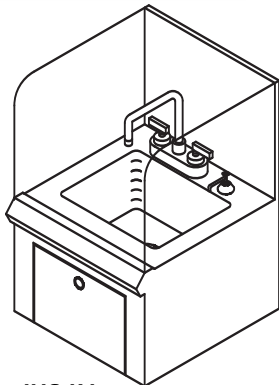
IHS-SD



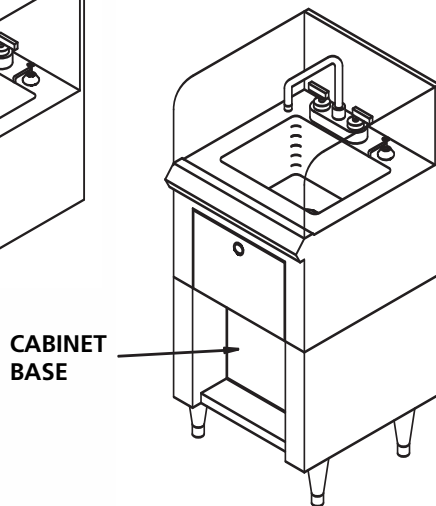
IHS-DP



IHS-SS



IHS-LV



CABINET  
BASE



CONFORMS TO  
ANSI/NSF STD 2

## MODELS

### STANDARD

Length	Depth	Height	Model
<input type="checkbox"/> 15.1/2"	17"	12"	IHS-SD

### DROP-IN

Length	Depth	Height	Model
<input type="checkbox"/> 15.1/2"	17"	16"	IHS-DP

### SPACE-SAVER

Length	Depth	Height	Model
<input type="checkbox"/> 13"	17"	16"	IHS-SS

### LAS VEGAS

Length	Depth	Height	Model
<input type="checkbox"/> 15.1/2"	17"	16"	IHS-LV

## OPTIONS

- EEF Electric eye faucet
- SF Special brand faucet available upon request
- P "P" trap
- RS Rear s/s box spacer (specify size when ordering)
- SMS Splash-mounted s/s soap dispenser
- FLG Front leg assembly (includes two front legs w/ adjustable bullet feet)
- CAB Cabinet base
- KVF Knee valve
- FVF Foot valve faucet
- HBB Hose bib bracket
- HBBV Hose bib valve (w/mounting bracket)
- M Customized
- WS Without side splash
- WB Wrist blade handles

## STANDARD FEATURES

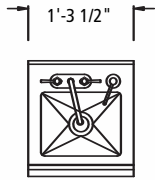
- All Heli-arc welded construction
- All 18 gauge type 304, 18/8 stainless steel
- Exterior top, front apron, sides, back, backsplash, and bottom are 18 gauge, 304 series stainless steel.
- Pump action soap dispenser in rear deck
- Built-in "c-fold" towel dispenser
- Premium deck mount H/C faucet
- "Z" clip for attaching to wall
- Stainless steel side splashes



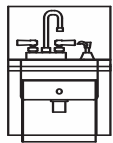
# HAND SINK

## MODULAR COMPONENTS

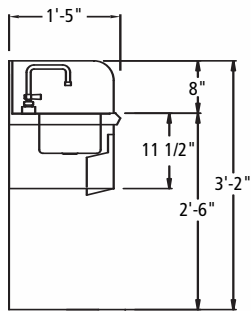
### MODEL IHS-SD



PLAN

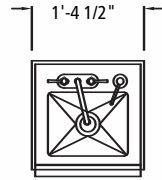


ELEVATION



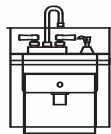
SECTION

### MODEL IHS-DP

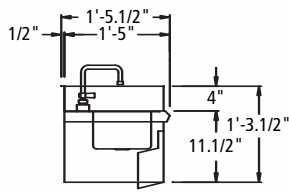


PLAN

15-5/8 x 15-5/8  
(CUT OUT SIZE)

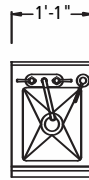


ELEVATION

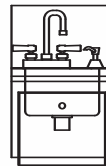


SECTION

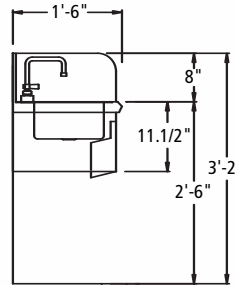
### MODEL IHS-SS



PLAN

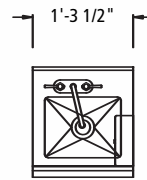


ELEVATION



SECTION

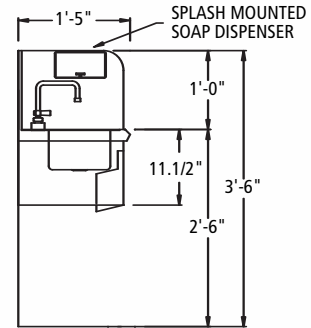
### MODEL IHS-LV



PLAN



ELEVATION



SECTION

#### HAND SINKS SELF CONTAINED

LENGTH	DEPTH	HEIGHT	MODEL No.	WEIGHT	CUBE
15.1/2"	17"	12"	IHS-SD	8	45

#### SPACE-SAVER HAND SINKS

LENGTH	DEPTH	HEIGHT	MODEL No.	WEIGHT	CUBE
13"	17"	16"	IHS-SS	8	45

#### HAND SINKS FOR COUNTER TOP INSTALLATION

LENGTH	DEPTH	HEIGHT	MODEL No.	WEIGHT	CUBE
15.1/2"	17"	16"	IHS-DP	8	50

#### LAS VEGAS HAND SINKS

LENGTH	DEPTH	HEIGHT	MODEL No.	WEIGHT	CUBE
15.1/2"	17"	16"	IHS-LV	8	45

#### UTILITIES

COLD WATER	HOT WATER	DRAIN
1 x 1/2" COLD	1 x 1/2" HOT	1 x 1.1/2"

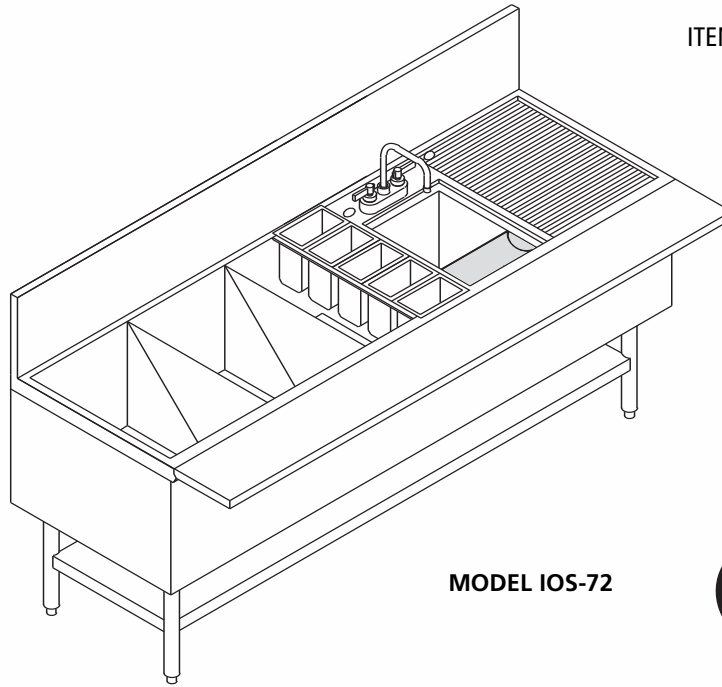


# OYSTER STATION

## MODULAR COMPONENTS

PROJECT \_\_\_\_\_

ITEM NO. \_\_\_\_\_



MODEL IOS-72



### STANDARD FEATURES

- All Heli-arc welded construction
- All 18 gauge type 304, 18/8 stainless steel
- Heavy duty stainless steel gussets welded to 14 gauge stainless steel channel supports
- Stainless steel adjustable bullet feet
- Attractive high polished bullnose edge to front
- Polyurethane 'shot-in-place' insulation
- Shucking sink with built in sand trap and removable shell catch insert
- Full length fold down plastic cutting board with heavy duty fold down brackets
- 42" wide ice chest with perforated false bottom
- Two (2) removable ice bin dividers
- 12.1/2" deep ice bin
- 1" x 3" brass drain
- Easy clean bin with 3/8" radius interior corners
- 5 - 1/9th pans for cold condiments
- Premium heavy duty faucet's with gooseneck spout - deck mounted
- Ice melt down faucet

### MODELS

#### OYSTER STATION

Length	Depth	Ice Capacity	Model
<input type="checkbox"/> 60"	32" (with cutting board up)	126#	IOS-60
<input type="checkbox"/> 72"	32" (with cutting board up)	181#	IOS-72

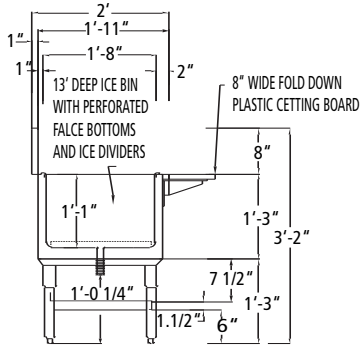
### OPTIONS

- TC - Plastic Trash Can
- TR - Towel Ring

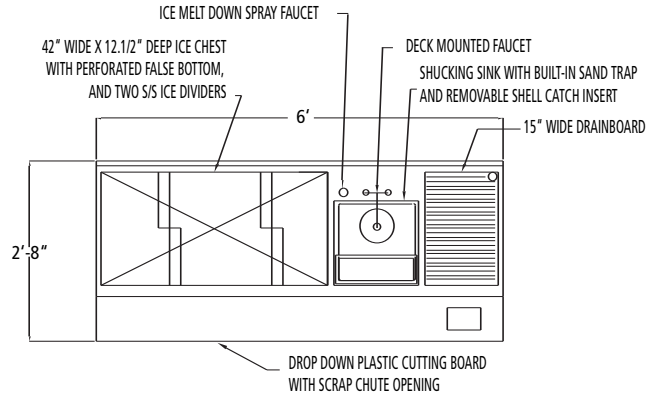


# OYSTER STATION

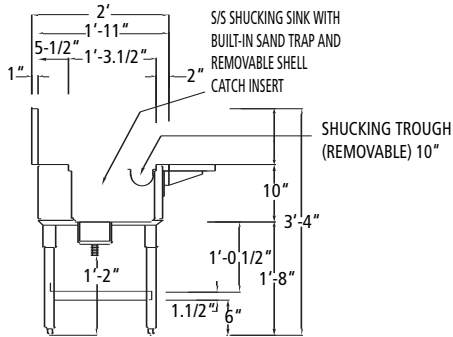
## MODULAR COMPONENTS



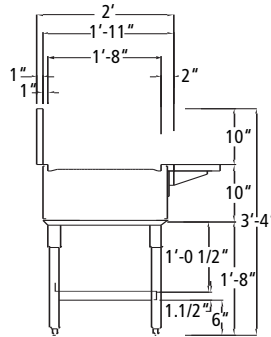
**A SECTION**



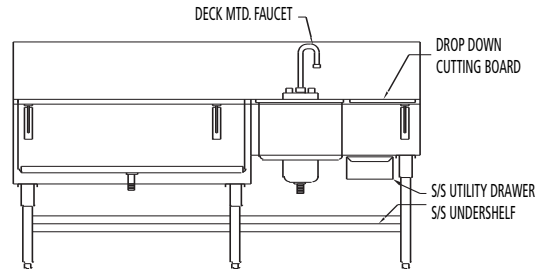
**TYPICAL PLAN**



**B SECTION**



**C SECTION**



**TYPICAL ELEVATION**

### OYSTER STATION 32" DEEP WITH CUTTING BOARD IN THE UP POSITION

LENGTH	ICE CAPACITY	MODEL No.	WEIGHT	CUBE
60	126 lbs.	IOS-60	270	42
72	181 lbs.	IOS-72	270	42

### UTILITIES

COLD WATER	HOT WATER	DRAIN	DRAIN
1 x 1/2" COLD	1 x 1/2" HOT	1 x 1.1/2"	2 x 1"

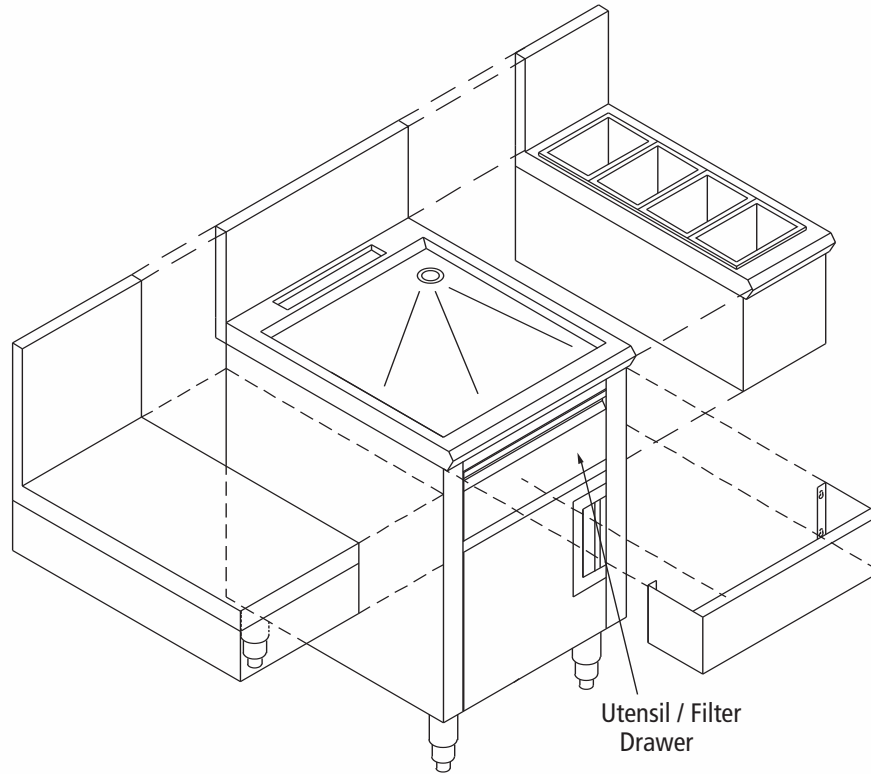


# COFFEE STATION

## MODULAR COMPONENTS

PROJECT \_\_\_\_\_

ITEM NO. \_\_\_\_\_



**MODEL No. ICOF-18 COFFEE STATION WITH MODE No. IRC-1/9th CONDIMENT RAIL,  
MODEL No. IRSS-12 RECESSED SIDE SHELF AND ISRS-18 SPEED RAIL**



### STANDARD FEATURES

- All Heli-arc welded construction
- All 18 gauge type 304, 18/8 stainless steel
- Attractive high polished bullnose edge to front
- Drainboards are flat with sound deadening undercoating
- Drainboards have 4" wide 18 gauge type 304, 18/8 stainless steel support channels every 5" that run full length and depth of drainboards
- Drainboards are recessed and pitch to a 1" brass drain
- Stainless steel utility drawer
- 6" high adjustable legs

### MODELS

#### COFFEE STATION

##### Length

##### Model

- 18" .....ICOF-18
- 24" .....ICOF-24

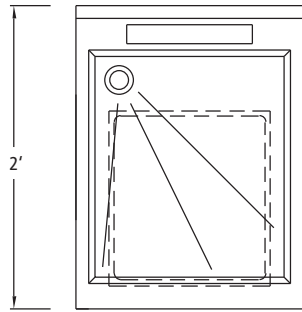
### OPTIONS

- LS 12" Wide Lowered side shelf for Coffee Brewer or Air Pots factory installed. (specify left or right side)
- BCR 4 section x 1/9TH Condiment Rail complete with Stainless Steel containers
- M Modified / Custom

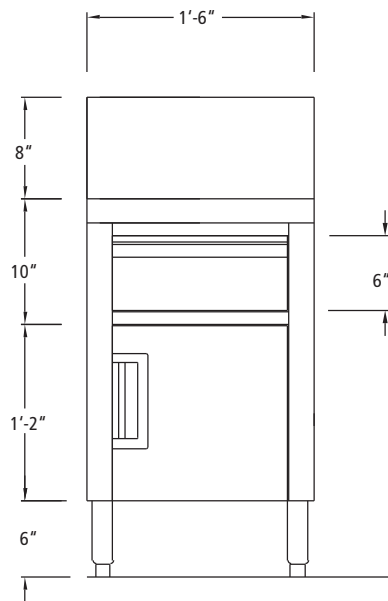


# COFFEE STATION

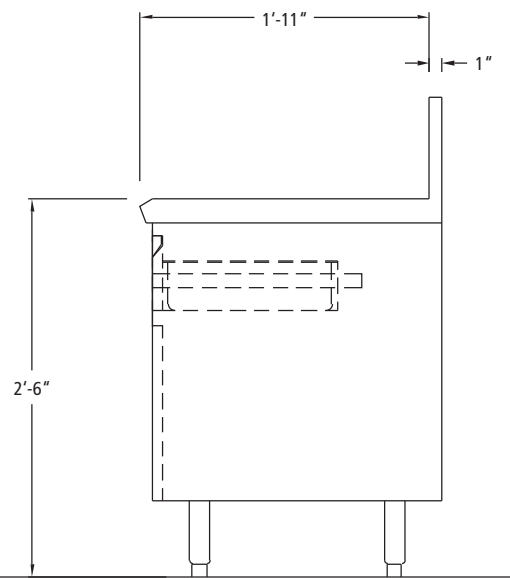
## MODULAR COMPONENTS



PLAN VIEW



FRONT ELEVATION



SIDE ELEVATION

### COFFEE STATIONS 'D' SERIES 24" DEEP

LENGTH	MODEL No.	WEIGHT	CUBE
18"	ICOF-18	110	12
24"	ICOF-24	120	18

### UTILITIES

DRAIN
1 x 1"

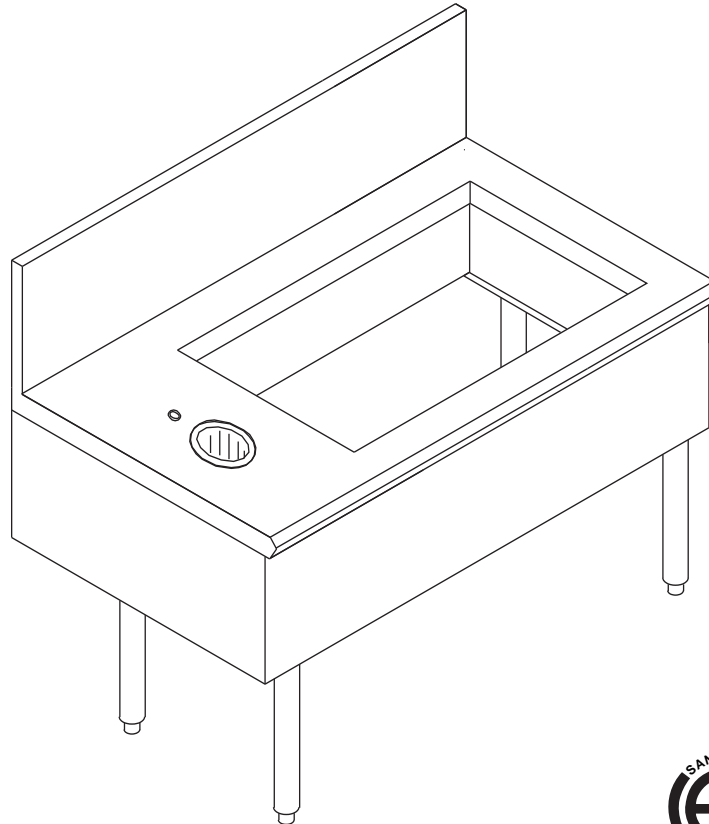


# ICE CREAM HOUSING

## MODULAR COMPONENTS

PROJECT \_\_\_\_\_

ITEM NO. \_\_\_\_\_



**Drop-in Ice Cream Station  
Model IDKD-38**



### STANDARD FEATURES

- All Heli-arc welded construction
- All 18 gauge type 304, 18/8 stainless steel
- Dipperwell and faucet
- Heavy duty stainless steel gussets welded to 14 gauge stainless steel channel supports
- Stainless steel adjustable bullet feet
- Provision for drop-in-freezer

### MODELS

<b>'S' SERIES 20.1/2" DEEP</b>		
<u>Length</u>	<u>Ice Capacity</u>	<u>Model</u>
<input type="checkbox"/> 26"	3 gallons	IDKS-26
<input type="checkbox"/> 38"	6 gallons	IDKS-38
<b>'D' SERIES 24" DEEP</b>		
<u>Length</u>	<u>Ice Capacity</u>	<u>Model</u>
<input type="checkbox"/> 24"	3 gallons	IDKD-3-26
<input type="checkbox"/> 36"	6 gallons	IDKD-6-38

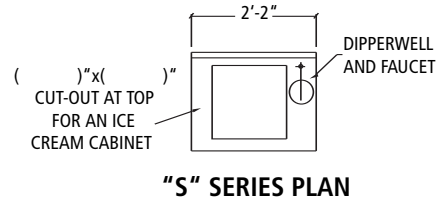
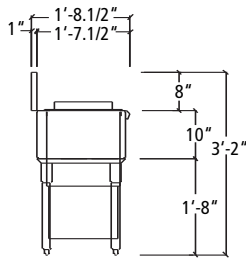
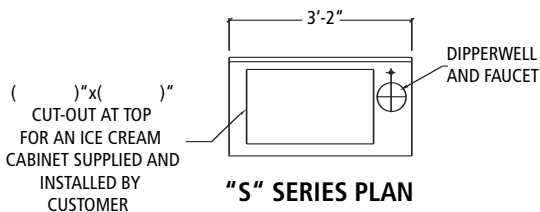
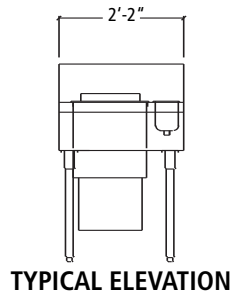
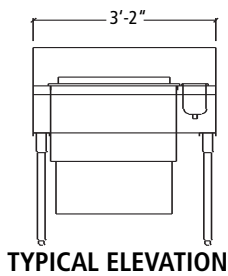
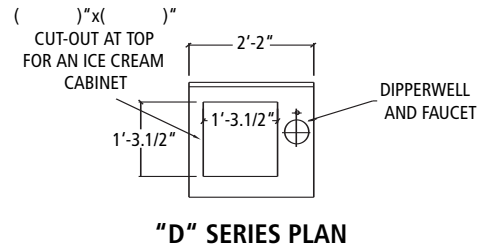
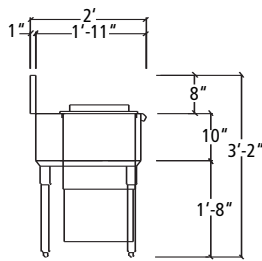
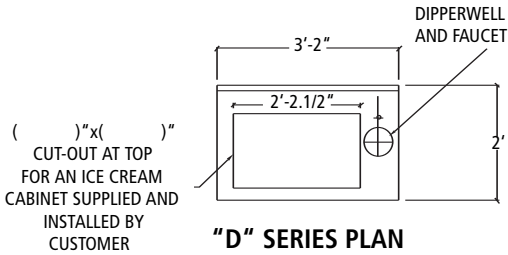
### OPTIONS

- M Modified - Custom



# ICE CREAM HOUSING

## MODULAR COMPONENTS



<b>'S' SERIES 20.1/2" DEEP TOP ONLY</b>			
LENGTH	MODEL No.	WEIGHT	CUBE
26	IDKS-26	65	8
38	IDKS-38	70	12

<b>'D' SERIES 24" DEEP TOP ONLY</b>			
LENGTH	MODEL No.	WEIGHT	CUBE
26	IDKD-26	70	8
38	IDKD-38	80	12

<b>UTILITIES</b>	
DRAIN	COLD WATER
1 x 1.1/2"	1/2"

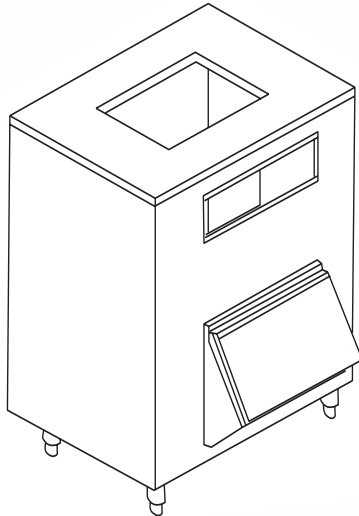


# ICE BINS

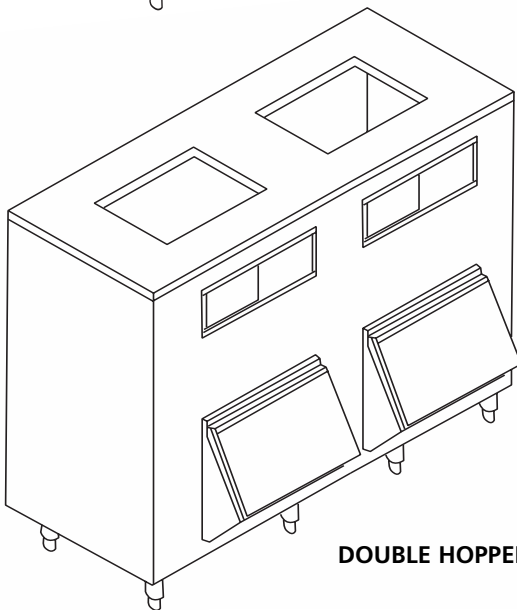
## MODULAR COMPONENTS

PROJECT \_\_\_\_\_

ITEM NO. \_\_\_\_\_



**SINGLE HOPPER BIN**



**DOUBLE HOPPER BIN**



CONFORMS TO  
ANSI/NSF STD 2

## MODELS

### SINGLE HOPPER BINS

<u>Length</u>	<u>Ice Capacity</u>	<u>Model</u>
<input type="checkbox"/> 30"	710#	IBS-710-30-31-52
<input type="checkbox"/> 38"	1060#	IBS-1060-38-31-62
<input type="checkbox"/> 48"	1000#	IBS-1000-48-31-48
<input type="checkbox"/> 56"	1170#	IBS-1170-56-31-48
<input type="checkbox"/> 56"	1500#	IBS-1500-56-31-60
<input type="checkbox"/> 60"	1660#	IBS-1660-60-31-60
<input type="checkbox"/> 60"	2300#	IBS-2300-60-31-60

### DOUBLE HOPPER BINS

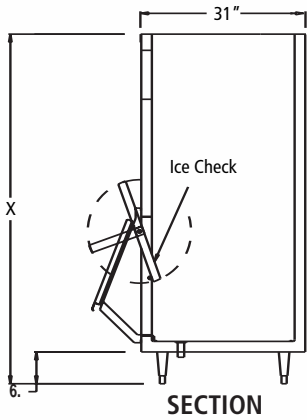
<u>Length</u>	<u>Ice Capacity</u>	<u>Model</u>
<input type="checkbox"/> 72"	2115#	IBD-2115-72-40-50
<input type="checkbox"/> 72"	2245#	IBD-2245-72-48-46
<input type="checkbox"/> 72"	2655#	IBD-2655-72-40-62
<input type="checkbox"/> 72"	3240#	IBD-3240-72-48-62
<input type="checkbox"/> 72"	3940#	IBD-3940-72-48-81
<input type="checkbox"/> 72"	4640#	IBD-4640-72-48-94
<input type="checkbox"/> 96"	4872#	IBD-4872-96-48-74

## STANDARD FEATURES

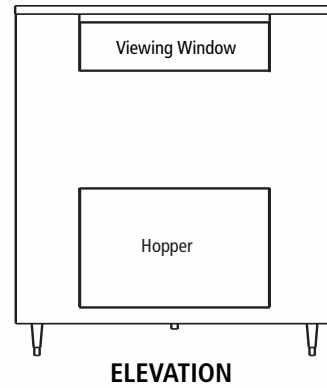
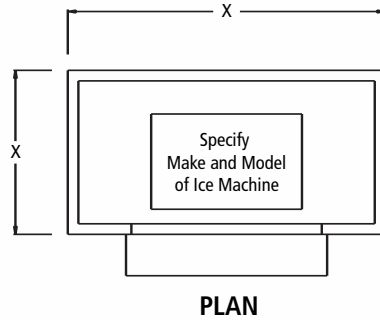
- All Heli-arc welded construction
- All 18 gauge type 304, 18/8 stainless steel
- Polyurethane 'shot-in-place' insulation
- 1" x 3" brass drain
- Easy clean bin with 3/8" radius interior corners
- Extra light hopper door

## OPTIONS

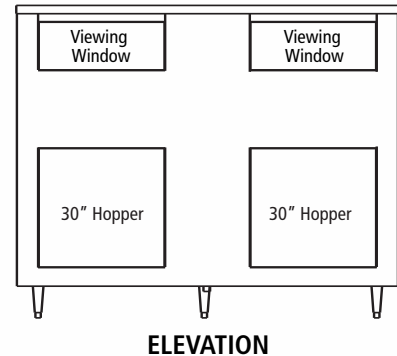
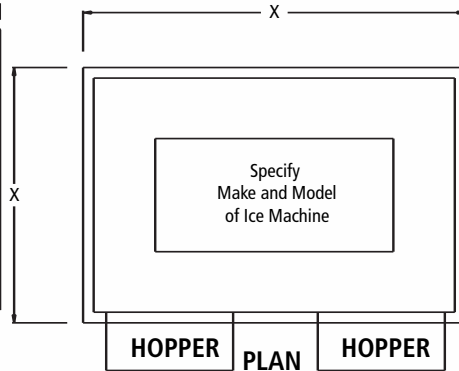
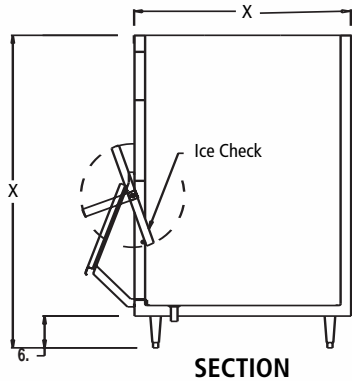
- IBD Ice Bin Divider for Double Hopper Bins
- SHV Factory Installed Ice Shovel Brackets
- FLNG Flanged Feet
- SPRD Ice Spreader
- 6LGS Set of 6" Legs  
(30-48" models - four legs)  
(56-60" models - six legs)  
(72-96" models - eight legs)
- M Customized



Single Hopper Bins



Double Hopper Bins



**SINGLE HOPPER BINS**

MODEL #	ICE CAPACITY	O.A. LENGTH	DEPTH (Less Hopper)	DEPTH (with Hopper)	HEIGHT (Less Legs)	SHIP WEIGHT	CUBIC FEET
IBS-710-30-31-52	710#	30"	31"	37"	52"	520	52
IBS-1060-38-31-62	1060#	38"	31"	37"	62"	645	72
IBS-1000-48-31-48	1000#	48"	31"	37"	48"	745	72
IBS-1170-56-31-48	1170#	56"	31"	37"	48"	795	80
IBS-1500-56-31-60	1500#	56"	31"	37"	60"	970	98
IBS-1660-60-31-60	1660#	60"	31"	37"	60"	1065	106
IBS-2300-60-31-60	2300#	60"	31"	37"	60"	1170	138

**SERIES DOUBLE HOPPER BINS**

MODEL #	ICE CAPACITY	O.A. LENGTH	DEPTH (Less Hopper)	DEPTH (with Hopper)	HEIGHT (Less Legs)	SHIP WEIGHT	CUBIC FEET
IBD-2115-72-40-50	2115#	72"	40"	47"	50"	650	135
IBD-2245-72-48-46	2245#	72"	48"	55"	46"	725	150
IBD-2655-72-40-62	2655#	72"	40"	47"	62"	766	160
IBD-3240-72-48-62	3240#	72"	48"	55"	62"	935	188
IBD-3940-72-48-81	3940#	72"	48"	44"	75"	980	220
IBD-4640-72-48-94	4640#	72"	48"	44"	88"	1090	250
IBD-4872-96-48-74	4872#	96"	31"	44"	68"	1140	266