



**I( ) - X - XX - X - M**  
**(1) (2) (3) (4) (5)**

| <b>POSITION (1)</b> |                               | <b>POSITION (2)</b>        | <b>POSITION (3)</b>     |
|---------------------|-------------------------------|----------------------------|-------------------------|
| <b>Model</b>        |                               | <b>Depth</b>               | <b>Length in Inches</b> |
| <b>IC</b>           | ICE CHEST                     | D - D SERIES 24" DEEP      |                         |
| <b>IPIC</b>         | PASS THROUGH ICE CHEST        | S - S SERIES 20. 1/2" DEEP |                         |
| <b>IW#</b>          | BOTTLE WELLS (QUANTITY)       |                            |                         |
| <b>IW1</b>          | BOTTLE WELLS WITH ICE CHEST   |                            |                         |
| <b>IBS</b>          | BLENDER STATIONS              |                            |                         |
| <b>ISRS</b>         | SPEED RAIL SINGLE             |                            |                         |
| <b>ISRD</b>         | SPEED RAIL DOUBLE             |                            |                         |
| <b>ISP</b>          | SPEED POUR STATION            |                            |                         |
| <b>ICS</b>          | COCKTAIL STATION              |                            |                         |
| <b>IDB</b>          | DRAINBOARDS                   |                            |                         |
| <b>ISB</b>          | SINGLE BOWL SINK UNIT         |                            |                         |
| <b>IHS</b>          | HAND SINK                     |                            |                         |
| <b>IRS</b>          | GLASS STORAGE RACKS OPEN      |                            |                         |
| <b>IRSC</b>         | GLASS STORAGE CABINET         |                            |                         |
| <b>ICB</b>          | CABINET BASE                  |                            |                         |
| <b>ILC</b>          | LOGIC CABINET (CASINO SERIES) |                            |                         |
| <b>ILD</b>          | LIQUOR DISPLAYS               |                            |                         |
| <b>IDW</b>          | DRY WASTE STATION             |                            |                         |
| <b>IWS</b>          | WET/DRY WASTE STATION         |                            |                         |
| <b>IKS</b>          | ICE CREAM STATION             |                            |                         |
| <b>IB</b>           | ICE BINS                      |                            |                         |
| <b>IDK</b>          | ICE CREAM UNIT DROP-IN        |                            |                         |
| <b>IBD</b>          | BEVERAGE DISPENSING STATION   |                            |                         |
| <b>ICF</b>          | COFFEE STATION                |                            |                         |
| <b>BC</b>           | BOTTLE COOLERS                |                            |                         |
| <b>IGF</b>          | GLASS FROSTERS                |                            |                         |
| <b>IOS</b>          | OYSTER STATION                |                            |                         |
| <b>POSITION (4)</b> |                               | <b>POSITION (5)</b>        |                         |
| ( ) OPTIONS         |                               | M-CUSTOM                   |                         |

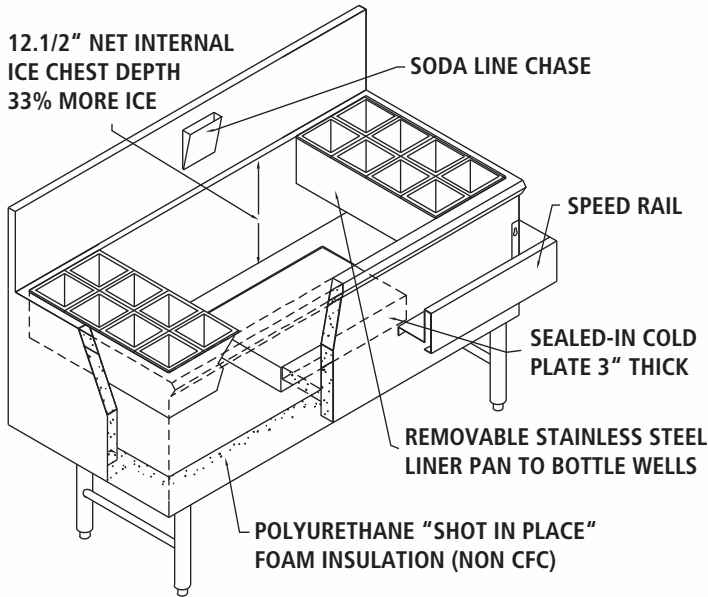


# ICE CHEST

## MODULAR COMPONENTS

PROJECT \_\_\_\_\_

ITEM NO. \_\_\_\_\_



MODEL No. IICS-48 SHOWING OPTIONAL ITEM  
 MODEL No. ISRS-48 SINGLE SPEED RAIL  
 MODEL No. P-8 EIGHT CIRCUIT COLD PLATE  
 AND TWO (2) MODEL No. IW-8 EIGHT BOTTLE WELL UNITS



FULLY WELDED INTERIOR  
 WITH 3/8 RADIUS  
 CORNERS



## MODELS

### 'S' SERIES 20.1/2" DEEP WITH 8 CIRCUIT

#### COLD PLATE

| Length                       | Ice Capacity | Model     |
|------------------------------|--------------|-----------|
| <input type="checkbox"/> 24" | 81#          | IICS-24P8 |
| <input type="checkbox"/> 30" | 101#         | IICS-30P8 |
| <input type="checkbox"/> 36" | 122#         | IICS-36P8 |
| <input type="checkbox"/> 42" | 144#         | IICS-42P8 |
| <input type="checkbox"/> 48" | 166#         | IICS-48P8 |

### 'S' SERIES 20.1/2" DEEP WITHOUT COLD PLATE

|                              |      |         |
|------------------------------|------|---------|
| <input type="checkbox"/> 12" | 45#  | IICS-12 |
| <input type="checkbox"/> 18" | 65#  | IICS-18 |
| <input type="checkbox"/> 24" | 81#  | IICS-24 |
| <input type="checkbox"/> 30" | 101# | IICS-30 |
| <input type="checkbox"/> 36" | 122# | IICS-36 |
| <input type="checkbox"/> 42" | 144# | IICS-42 |
| <input type="checkbox"/> 48" | 166# | IICS-48 |

### 'D' SERIES 24" DEEP WITH 8 CIRCUIT COLD PLATE

|                              |      |           |
|------------------------------|------|-----------|
| <input type="checkbox"/> 24" | 102# | IICD-24P8 |
| <input type="checkbox"/> 30" | 126# | IICD-30P8 |
| <input type="checkbox"/> 36" | 153# | IICD-36P8 |
| <input type="checkbox"/> 42" | 180# | IICD-42P8 |
| <input type="checkbox"/> 48" | 207# | IICD-48P8 |

### 'D' SERIES 24" DEEP WITHOUT COLD PLATE

|                              |      |         |
|------------------------------|------|---------|
| <input type="checkbox"/> 12" | 57#  | IICD-12 |
| <input type="checkbox"/> 18" | 77#  | IICD-18 |
| <input type="checkbox"/> 24" | 102# | IICD-24 |
| <input type="checkbox"/> 30" | 126# | IICD-30 |
| <input type="checkbox"/> 36" | 153# | IICD-36 |
| <input type="checkbox"/> 42" | 180# | IICD-42 |
| <input type="checkbox"/> 48" | 207# | IICD-48 |

## STANDARD FEATURES

- All Heli-arc welded construction
- All 18 gauge type 304, 18/8 stainless steel
- Attractive high polished bullnose edge to front
- Polyurethane 'shot-in-place' insulation
- 12. 1/2" deep ice bin carries full length
- 1" x 3" brass drain
- Easy clean bin with 3/8" radius interior corners

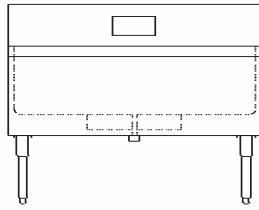
## OPTIONS

- P10 Sealed in Cold Plate (10 Circuit 'D' Series Only)
- SC Stainless Steel Sliding Cover
- CT(#) Condiment Tray with Stainless Steel 1/9 Pans
- 18B 18" Deep Ice Bin
- BW(#) Bottle Well (Quantity)
- ID Ice Divider
- PB Perforated False Bottom
- CB Cabinet Base
- BLN6 6" Beverage Line Notch in Splash
- BLN24 24" Beverage (liquor line) Notch in Splash
- M Modified - Custom

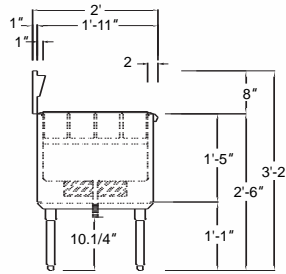


# ICE CHEST

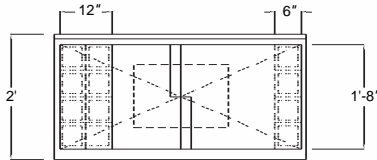
## MODULAR COMPONENTS



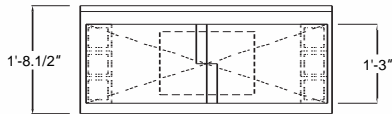
TYPICAL ELEVATION



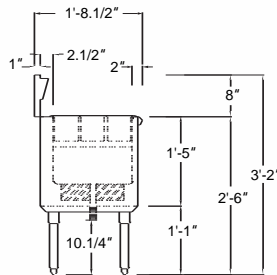
"D" SERIES SECTION



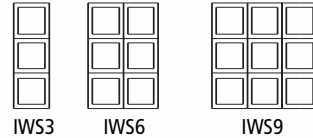
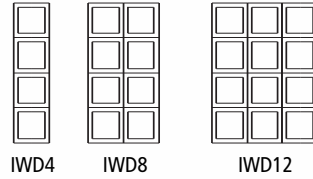
"D" SERIES PLAN



"S" SERIES PLAN



"S" SERIES SECTION



| OPTIONAL BOTTLE WELL REQUIREMENTS |                       |
|-----------------------------------|-----------------------|
| "S" SERIES                        | "D" SERIES            |
| IWS3 TAKES 6" WIDTH               | IWD4 TAKES 6" WIDTH   |
| IWS6 TAKES 12" WIDTH              | IWD8 TAKES 12" WIDTH  |
| IWS9 TAKES 18" WIDTH              | IWD12 TAKES 18" WIDTH |

**TWO PIECE SLIDING COVER REQUIREMENTS**  
 SUBTRACT WIDTH OF DESIRED BOTTLE WELL ASSEMBLIES FROM LENGTH OF ICE CHEST  
 eg. 36" ice chest with IWS3 and IWS6 use 18

### 'S' SERIES 20.1/2" DEEP WITH 8 CIRCUIT COLD PLATE

| LENGTH | ICE CAPACITY | MODEL No. | WEIGHT | CUBE |
|--------|--------------|-----------|--------|------|
| 24"    | 81#          | IICS-24P8 | 195    | 18   |
| 30"    | 101#         | IICS-30P8 | 230    | 18   |
| 36"    | 122#         | IICS-36P8 | 240    | 24   |
| 42"    | 144#         | IICS-42P8 | 255    | 24   |
| 48"    | 166#         | IICS-48P8 | 270    | 30   |

### 'D' SERIES 24" DEEP WITH 8 CIRCUIT COLD PLATE

| LENGTH | ICE CAPACITY | MODEL No. | WEIGHT | CUBE |
|--------|--------------|-----------|--------|------|
| 24"    | 102#         | IICD-24P8 | 195    | 18   |
| 30"    | 126#         | IICD-30P8 | 230    | 18   |
| 36"    | 153#         | IICD-36P8 | 240    | 24   |
| 42"    | 180#         | IICD-42P8 | 255    | 24   |
| 48"    | 207#         | IICD-48P8 | 270    | 30   |

### 'S' SERIES 20.1/2" DEEP WITHOUT COLD PLATE

| LENGTH | ICE CAPACITY | MODEL No. | WEIGHT | CUBE |
|--------|--------------|-----------|--------|------|
| 12"    | 45#          | IICS-12   | 60     | 6    |
| 18"    | 65#          | IICS-18   | 80     | 12   |
| 24"    | 81#          | IICS-24   | 100    | 8    |
| 30"    | 101#         | IICS-30   | 120    | 8    |
| 36"    | 122#         | IICS-36   | 153    | 4    |
| 42"    | 144#         | IICS-42   | 180    | 4    |
| 48"    | 166#         | IICS-48   | 205    | 0    |

### 'D' SERIES 24" DEEP WITHOUT COLD PLATE

| LENGTH | ICE CAPACITY | MODEL No. | WEIGHT | CUBE |
|--------|--------------|-----------|--------|------|
| 12"    | 57#          | IICD-12   | 60     | 8    |
| 18"    | 77#          | IICD-18   | 80     | 12   |
| 24"    | 102#         | IICD-24   | 100    | 18   |
| 30"    | 126#         | IICD-30   | 126    | 18   |
| 36"    | 153#         | IICD-36   | 153    | 24   |
| 42"    | 180#         | IICD-42   | 180    | 24   |
| 48"    | 207#         | IICD-48   | 205    | 30   |

#### UTILITIES (8 CIRCUIT)

|       |
|-------|
| DRAIN |
| 1/2"  |

#### UTILITIES

|        |
|--------|
| DRAIN  |
| 1 x 1" |

#### UTILITIES (10 CIRCUIT)

|       |
|-------|
| DRAIN |
| 3/4"  |

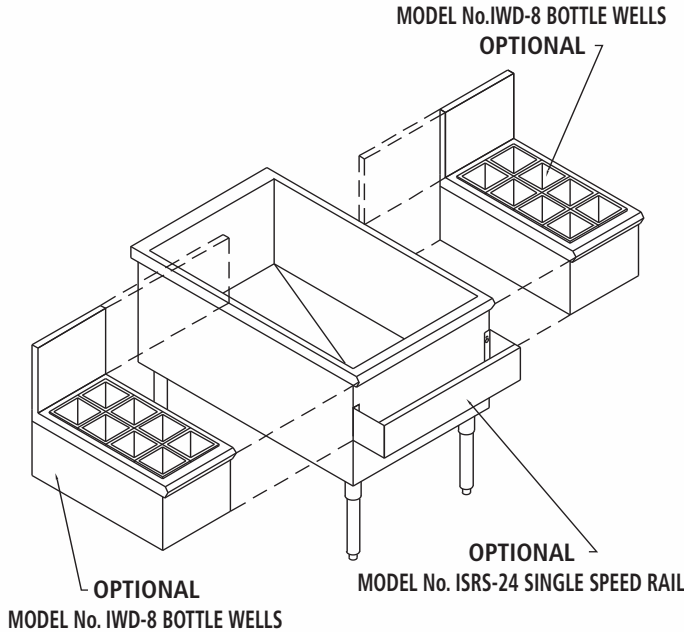


# PASS THRU ICE CHEST

## MODULAR COMPONENTS

PROJECT \_\_\_\_\_

ITEM NO. \_\_\_\_\_



MODEL No. IPIS-D-P8-24 SHOWING OPTIONAL ITEMS

## MODELS

**TO MATCH UP WITH 'S' SERIES - 36" DEEP, INCLUDING - 8 CIRCUIT SEALED IN COLD PLATE**

| Length                       | Ice Capacity | Model             |
|------------------------------|--------------|-------------------|
| <input type="checkbox"/> 24" | .....153#    | .....IPIC-S-P8-24 |

**WITHOUT COLD PLATE**

|                              |           |                |
|------------------------------|-----------|----------------|
| <input type="checkbox"/> 24" | .....153# | .....IPIC-S-24 |
|------------------------------|-----------|----------------|

**TO MATCH UP WITH 'D' SERIES - 40" DEEP, INCLUDING - 8 CIRCUIT SEALED IN COLD PLATE**

| Length                       | Ice Capacity | Model             |
|------------------------------|--------------|-------------------|
| <input type="checkbox"/> 24" | .....168#    | .....IPIC-D-P8-24 |

**WITHOUT COLD PLATE**

|                              |           |                |
|------------------------------|-----------|----------------|
| <input type="checkbox"/> 24" | .....168# | .....IPIC-D-24 |
|------------------------------|-----------|----------------|

## STANDARD FEATURES

- All Heli-arc welded construction
- All 18 gauge type 304, 18/8 stainless steel
- Stainless steel adjustable bullet feet
- Heavy duty stainless steel gussets welded to 14 gauge stainless steel channel supports
- Attractive high polished bullnose edge to front
- Polyurethane 'shot-in-place' insulation
- 12.1/2" net deep ice bin
- 1" x 3" brass drain
- 3/8" radius interior corners
- Optional Bottle well chest (when ordered) are integrally welded to Ice chest to form one integral unit

## OPTIONS

### 'S' SERIES

- IW3 3 Bottle Well Chest (non insulated)
- IW6 6 Bottle Well Chest (non insulated)

### 'D' SERIES

- IW4 4 Bottle Well Chest
- IW8 8 Bottle Well Chest

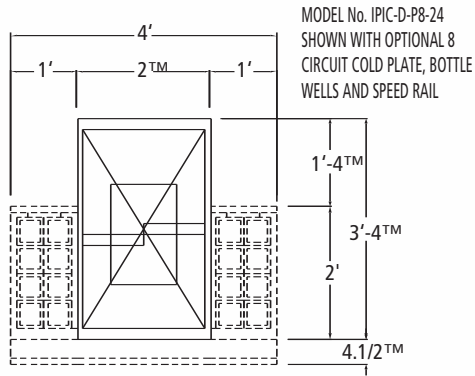
### BOTH SERIES

- P10 Sealed in Cold Plate - 10 Circuit
- DD Drop Down Section to Waitress Side
- ID Ice Divider
- CT 5 Cup Condiment Tray
- 18B 18" Deep Ice Chest
- RP Removable Panel
- M Modified - Custom



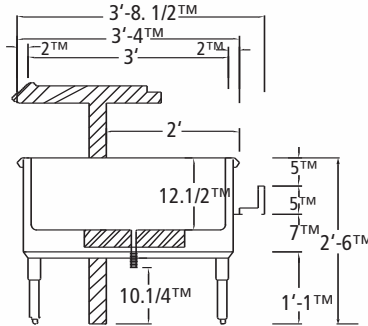
# PASS THRU ICE CHEST

## MODULAR COMPONENTS

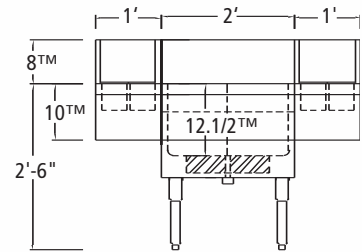


'D' SERIES TYPICAL PLAN

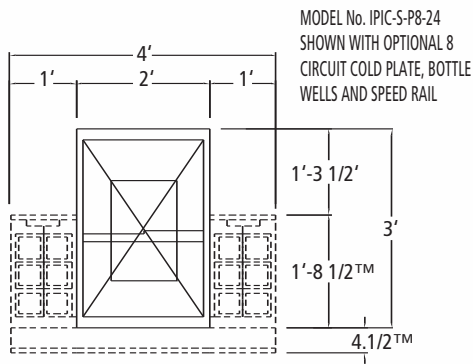
MODEL No. IPIC-D-P8-24  
SHOWN WITH OPTIONAL 8  
CIRCUIT COLD PLATE, BOTTLE  
WELLS AND SPEED RAIL



'D' SERIES SECTION

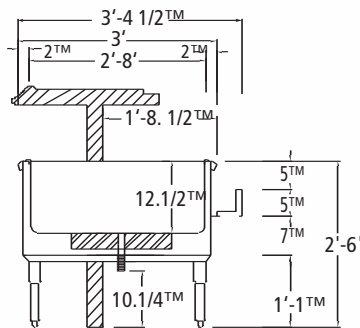


TYPICAL ELEVATION



'S' SERIES TYPICAL PLAN

MODEL No. IPIC-S-P8-24  
SHOWN WITH OPTIONAL 8  
CIRCUIT COLD PLATE, BOTTLE  
WELLS AND SPEED RAIL



'S' SERIES SECTION

| 'S' SERIES 36" DEEP TO MATCH WITH 20.1/2" DEEP UNITS WITH P8 COLD PLATE |              |              |        |      |
|---|--------------|--------------|--------|------|
| LENGTH  | ICE CAPACITY | MODEL No.    | WEIGHT | CUBE |
| 24"   | 153#         | IPIC-S-P8-24 | 250    | 28   |

| 'S' SERIES 36" DEEP TO MATCH WITH 20.1/2" DEEP UNITS WITHOUT COLD PLATE |              |           |        |      |
|---|--------------|-----------|--------|------|
| LENGTH  | ICE CAPACITY | MODEL No. | WEIGHT | CUBE |
| 24"   | 153#         | IPIC-S-24 | 200    | 28   |

| 'D' SERIES 40" DEEP TO MATCH WITH 24" DEEP UNITS WITH P8 COLD PLATE |              |              |        |      |
|---|--------------|--------------|--------|------|
| LENGTH  | ICE CAPACITY | MODEL No.    | WEIGHT | CUBE |
| 24"   | 168#         | IPIC-D-P8-24 | 260    | 36   |

| 'D' SERIES 40" DEEP TO MATCH WITH 24" DEEP UNITS WITHOUT COLD PLATE |              |           |        |      |
|---|--------------|-----------|--------|------|
| LENGTH  | ICE CAPACITY | MODEL No. | WEIGHT | CUBE |
| 24"   | 168#         | IPIC-D-24 | 200    | 36   |

| UTILITIES (8 CIRCUIT) |
|-----------------------|
| DRAIN                 |
| 1/2"                  |

| UTILITIES |
|-----------|
| DRAIN     |
| 1 x 1"    |

| UTILITIES (10 CIRCUIT) |
|------------------------|
| DRAIN                  |
| 3/4"                   |



# SPEED POUR

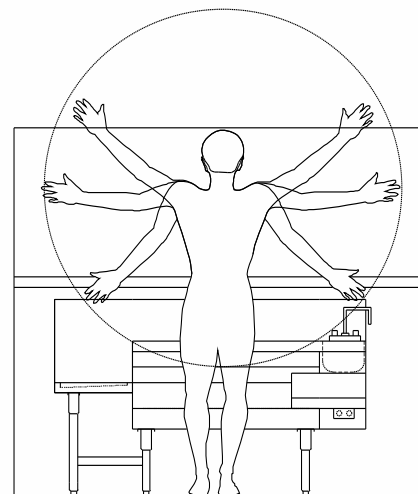
## MODULAR COMPONENTS

PROJECT \_\_\_\_\_

ITEM NO. \_\_\_\_\_



**MODEL ISP-60 SHOWN WITH BLN6 BEVERAGE LINE NOTCH**



**Concentrates all the essential pouring activity into one compact central area for optimal efficiency.**

### STANDARD FEATURES

- All Heli-arc welded construction.
- All 18 gauge type 304,18/8 stainless steel
- Heavy duty stainless steel gussets welded to 14 gauge stainless steel channel support
- Stainless steel adjustable bullet feet
- Attractive high polished bullnose edge to front
- Polyurethane 'shot-in-place' insulation
- Separate bottle well are made of hard black plastic and sit in a removable sealed stainless steel pan
- Removable mixer blender shelf
- 12.1/2" Deep ice bin
- 1" x 3" brass drain
- Easy clean bin with 3/8" radius interior corners
- Ice bin divider
- 15" wide drop down glass storage drainboard
- Tray storage shelf below
- Ice melt down spray faucet
- 6" x 9" dump sink with lift out stainless steel strainer
- Premium faucet's with gooseneck spout - deck mounted
- Condiment rail with stainless steel 1/9th. pans
- Hidden electrical outlet

### MODELS

| Length                         | Depth        | Ice Capacity | Model       |
|--------------------------------|--------------|--------------|-------------|
| <input type="checkbox"/> 36 in | .....29.1/2" | .....65lbs   | .....ISP-36 |
| <input type="checkbox"/> 48 in | .....29.1/2" | .....86lbs   | .....ISP-48 |
| <input type="checkbox"/> 60 in | .....29.1/2" | .....130lbs  | .....ISP-60 |
| <input type="checkbox"/> 72 in | .....29.1/2" | .....173lbs  | .....ISP-72 |

#### WITH 8 CIRCUIT SEALED IN COLD PLATE

| Length                         | Depth        | Ice Capacity | Model          |
|--------------------------------|--------------|--------------|----------------|
| <input type="checkbox"/> 36 in | .....29.1/2" | .....65lbs   | .....ISP-36-P8 |
| <input type="checkbox"/> 48 in | .....29.1/2" | .....86lbs   | .....ISP-48-P8 |
| <input type="checkbox"/> 60 in | .....29.1/2" | .....130lbs  | .....ISP-60-P8 |
| <input type="checkbox"/> 72 in | .....29.1/2" | .....173lbs  | .....ISP-72-P8 |

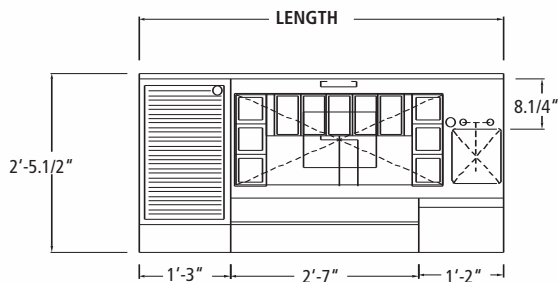
### OPTIONS

- SC Removable Sliding Cover to Ice Chest
- LC Locking Cover for Speed Rail
- PB Perforated False Bottom
- BLN6 6" Beverage Line Notch
- BLN24 24" Beverage Liquor Line Notch
- M Modified - Custom
- SBF Special Brand Faucet Available Upon Request

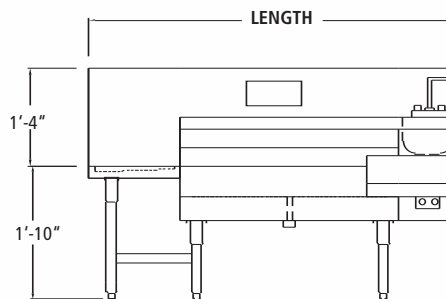


# SPEED POUR

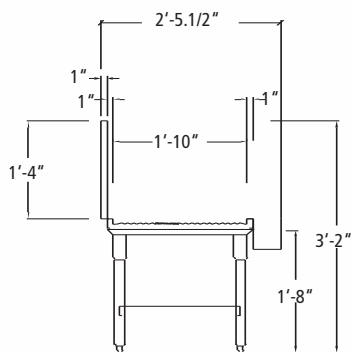
## MODULAR COMPONENTS



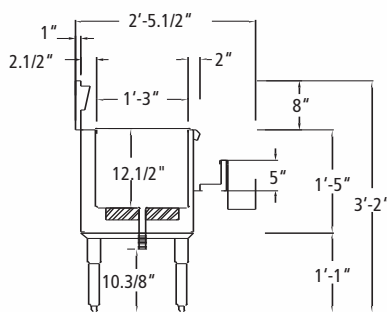
TYPICAL PLAN VIEW



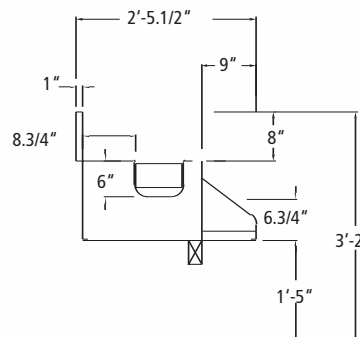
FRONT ELEVATION



SECTION THRU DRAINBOARD



SECTION THRU ICE CHEST



SECTION MIXER BLENDER STATION

### SERIES - 29.1/2" DEEP

| BOTTLE CAPACITY | STACKED CAPACITY | BLENDER CAPACITY | LENGTH | DEPTH   | ICE CAPACITY | MODEL NO. |
|-----------------|------------------|------------------|--------|---------|--------------|-----------|
| 16              | 60               | 1                | 36"    | 29.1/2" | 65 #         | ISP-36    |
| 19              | 100              | 2                | 48"    | 29.1/2" | 86 #         | ISP-48    |
| 25              | 100              | 2                | 60"    | 29.1/2" | 130 #        | ISP-60    |
| 25              | 100              | 2                | 72"    | 29.1/2" | 173 #        | ISP-72    |

### SERIES - 29.1/2" DEEP WITH 8 CIRCUIT COLD PLATE

| BOTTLE CAPACITY | STACKED CAPACITY | BLENDER CAPACITY | LENGTH | DEPTH   | COLD PLATE CIRCUIT | ICE CAPACITY | MODEL NO. |
|-----------------|------------------|------------------|--------|---------|--------------------|--------------|-----------|
| 16              | 60               | 1                | 36"    | 29.1/2" | 8                  | 65 #         | ISP-36-P8 |
| 19              | 100              | 2                | 48"    | 29.1/2" | 8                  | 86 #         | ISP-48-P8 |
| 25              | 100              | 2                | 60"    | 29.1/2" | 8                  | 130 #        | ISP-60-P8 |
| 25              | 100              | 2                | 72"    | 29.1/2" | 8                  | 173 #        | ISP-72-P8 |

### UTILITIES

| COLD WATER    | HOT WATER    | SINK DRAIN | ICE BIN DRAIN | ELECTRICAL             |
|---------------|--------------|------------|---------------|------------------------|
| 1 x 1/2" COLD | 1 x 1/2" HOT | 1 x 1.1/2" | 1 x 1"        | 2 RECEPTACLE   10 AMPS |



# DRAINBOARDS

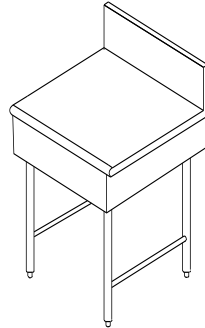
## MODULAR COMPONENTS

PROJECT \_\_\_\_\_

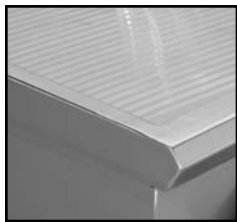
ITEM NO. \_\_\_\_\_



**MODEL IDBS-36  
DRAINBOARD**



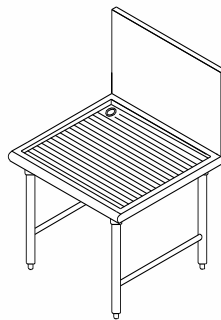
**MODEL  
IDBD-24-PT PLAIN  
TOP DRAINBOARD**



**CORRUGATED  
DRAINBOARD  
AND POLISHED  
BULLNOSE**



CONFORMS TO  
ANSI/NSF STD 2



**MODEL  
IDBD-24-RD  
RECESSED  
DRAINBOARD**

## STANDARD FEATURES

- All Heli-arc welded construction
- All 18 gauge type 304, 18/8 stainless steel
- Attractive high polished bullnose edge to front
- Drainboards are continuous corrugation
- Drainboards have 4" wide 18 gauge type 304, 18/8 stainless steel support channels
- Drainboards are recessed and pitch to a 1" brass drain
- Drainboards with an optional sink bowl include a premium faucet and 1.1/2" drain
- Heavy duty stainless steel gussets welded to 14 gauge stainless steel channel supports
- 1" 5/8 stainless steel tubular legs with 1" stainless steel tubular cross bracing and stainless steel bullet feet

## MODELS

### 'S' SERIES 20.1/2" DEEP

| <u>Length</u>                      | <u>Model</u> |
|------------------------------------|--------------|
| <input type="checkbox"/> 12" ..... | IDBS-12      |
| <input type="checkbox"/> 18" ..... | IDBS-18      |
| <input type="checkbox"/> 24" ..... | IDBS-24      |
| <input type="checkbox"/> 30" ..... | IDBS-30      |
| <input type="checkbox"/> 36" ..... | IDBS-36      |
| <input type="checkbox"/> 42" ..... | IDBS-42      |
| <input type="checkbox"/> 48" ..... | IDBS-48      |
| <input type="checkbox"/> 54" ..... | IDBS-54      |
| <input type="checkbox"/> 60" ..... | IDBS-60      |
| <input type="checkbox"/> 66" ..... | IDBS-66      |
| <input type="checkbox"/> 72" ..... | IDBS-72      |

### 'D' SERIES 24" DEEP

| <u>Length</u>                      | <u>Model</u> |
|------------------------------------|--------------|
| <input type="checkbox"/> 12" ..... | IDBD-12      |
| <input type="checkbox"/> 18" ..... | IDBD-18      |
| <input type="checkbox"/> 24" ..... | IDBD-24      |
| <input type="checkbox"/> 30" ..... | IDBD-30      |
| <input type="checkbox"/> 36" ..... | IDBD-36      |
| <input type="checkbox"/> 42" ..... | IDBD-42      |
| <input type="checkbox"/> 48" ..... | IDBD-48      |
| <input type="checkbox"/> 54" ..... | IDBD-54      |
| <input type="checkbox"/> 60" ..... | IDBD-60      |
| <input type="checkbox"/> 66" ..... | IDBD-66      |
| <input type="checkbox"/> 72" ..... | IDBD-72      |

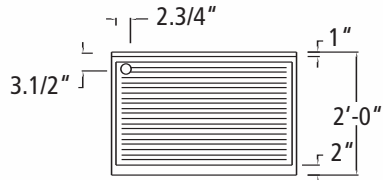
## OPTIONS

- CA Cut Away Apron for Trash Can
- PT Plain flatTop
- 1014LH 10" X 14" X 10" Left Hand Bowl
- 1014C 10" X 14" X 10" Center Bowl
- 1014RH 10" X 14" X 10" Right Hand Bowl
- TR Towel Rail
- RTC Rubber Trash Chute in Front Apron
- LS Lift out Strainer Basket for Bowls
- CB Cabinet Base
- RS20 Rack Storage are 20 X 20 Rack (open) - 26" long
- TC Plastic Trash Can
- USS Undershelf 'S' Series
- BO Bottle Opener with Catch Pan
- RD Recessed Drainboard
- M Modified - Custom
- SBF Special Brand Faucet Available Upon Request

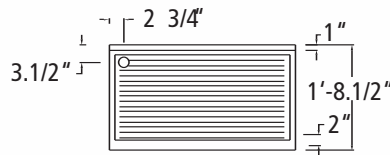


# DRAINBOARDS

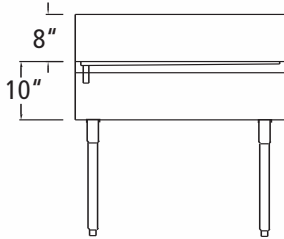
## MODULAR COMPONENTS



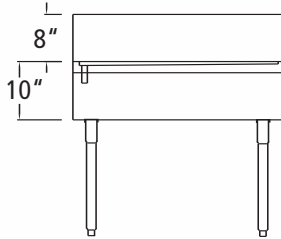
TYPICAL PLAN "D" SERIES



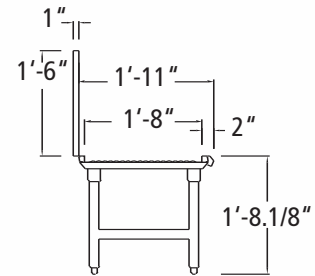
TYPICAL PLAN "S" SERIES



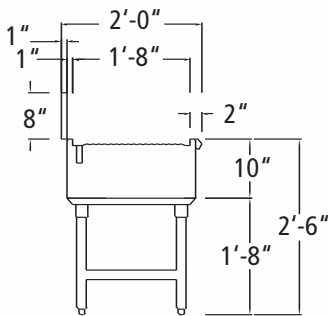
TYPICAL ELEVATION



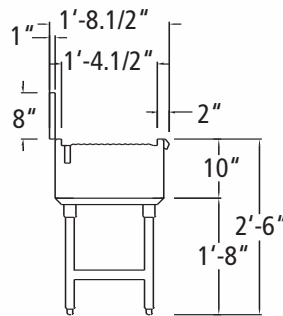
TYPICAL ELEVATION



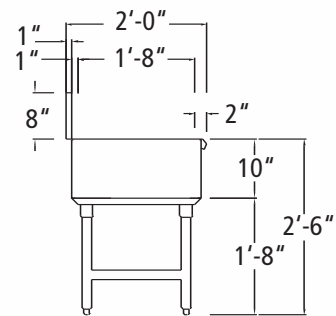
RECESSED TOP SECTION "D" SERIES



SECTION "D" SERIES



SECTION "S" SERIES



PLAIN TOP SECTION "D" SERIES

| 'D' SERIES 24" DEEP |       |           |        |      |
|---------------------|-------|-----------|--------|------|
| LENGTH              | DEPTH | MODEL No. | WEIGHT | CUBE |
| 12                  | 24    | IDBD-12   | 45     | 5    |
| 18                  | 24    | IDBD-18   | 55     | 8    |
| 24                  | 24    | IDBD-24   | 60     | 8    |
| 30                  | 24    | IDBD-30   | 65     | 12   |
| 36                  | 24    | IDBD-36   | 75     | 12   |
| 42                  | 24    | IDBD-42   | 95     | 16   |
| 48                  | 24    | IDBD-48   | 120    | 16   |
| 54                  | 24    | IDBD-54   | 135    | 20   |
| 60                  | 24    | IDBD-60   | 150    | 20   |
| 66                  | 24    | IDBD-66   | 165    | 24   |
| 72                  | 24    | IDBD-72   | 175    | 24   |

| 'S' SERIES 20.1/2" DEEP |       |           |        |      |
|-------------------------|-------|-----------|--------|------|
| LENGTH                  | DEPTH | MODEL No. | WEIGHT | CUBE |
| 12                      | 20    | IDBS-12   | 45     | 5    |
| 18                      | 20    | IDBS-18   | 55     | 8    |
| 24                      | 20    | IDBS-24   | 60     | 8    |
| 30                      | 20    | IDBS-30   | 65     | 12   |
| 36                      | 20    | IDBS-36   | 75     | 12   |
| 42                      | 20    | IDBS-42   | 95     | 16   |
| 48                      | 20    | IDBS-48   | 120    | 16   |
| 54                      | 20    | IDBS-54   | 135    | 20   |
| 60                      | 20    | IDBS-60   | 150    | 20   |
| 66                      | 20    | IDBS-66   | 165    | 24   |
| 72                      | 20    | IDBS-72   | 175    | 24   |

### UTILITIES

DRAIN

1 x 1"



# BLENDER STATION NOMENCLATURE

**I( ) - X - XX - X - M**  
**(1) (2) (3) (4) (5)**

| POSITION (1)  |                 | POSITION (2)              | POSITION (3)            |
|---------------|-----------------|---------------------------|-------------------------|
| <u>Model</u>  |                 | <u>Depth</u>              | <u>Length in Inches</u> |
| BS            | BLENDER STATION | D - D SERIES 24" DEEP     | 12 - 12" LONG           |
|               |                 | S - S SERIES 20.1/2" DEEP | 14 - 14" LONG           |
|               |                 |                           | 18 - 18" LONG           |
|               |                 |                           | 21 - 21" LONG           |
|               |                 |                           | 24 - 24" LONG           |
| POSITION (4)  |                 | POSITION (5)              |                         |
| S - SINK BOWL |                 | M -CUSTOM / MODIFIED      |                         |



# BLENDER STATION

## MODULAR COMPONENTS

PROJECT \_\_\_\_\_

ITEM NO. \_\_\_\_\_



IBSS-18S MODEL SHOWN



### STANDARD FEATURES

- All Heli-arc welded construction
- All 18 gauge type 304, 18/8 stainless steel
- Heavy duty stainless steel gussets welded to 14 gauge stainless steel channel supports
- stainless steel adjustable bullet feet
- Front apron of station unifies with front of speed rail on all 'S' and 'D' series units
- Access hole for hidden electrical box
- Premium faucet on models with bowl

### MODELS

#### 'S' SERIES COMPONENT

| <u>Length</u>                | <u>Capacity</u> | <u>Bowl size</u>  | <u>Model</u> |
|------------------------------|-----------------|-------------------|--------------|
| <input type="checkbox"/> 12" | 1               | 8" x 9" x 8"      | IBSS-12S     |
| <input type="checkbox"/> 14" | 2               | 9.1/2" x 11" x 8" | IBSS-14S     |
| <input type="checkbox"/> 18" | 2               | 10" x 14" x 10"   | IBSS-18S     |
| <input type="checkbox"/> 21" | 3               | 10" x 14" x 10"   | IBSS-21S     |
| <input type="checkbox"/> 24" | 3               | 10" x 14" x 10"   | IBSS-24S     |

#### 'D' SERIES COMPONENT

| <u>Length</u>                | <u>Capacity</u> | <u>Bowl size</u>  | <u>Model</u> |
|------------------------------|-----------------|-------------------|--------------|
| <input type="checkbox"/> 12" | 1               | 8" x 9" x 8"      | IBSD-12S     |
| <input type="checkbox"/> 14" | 2               | 9.1/2" x 11" x 6" | IBSD-14S     |
| <input type="checkbox"/> 18" | 2               | 10" x 14" x 10"   | IBSD-18S     |
| <input type="checkbox"/> 21" | 3               | 10" x 14" x 10"   | IBSD-21S     |
| <input type="checkbox"/> 24" | 3               | 10" x 14" x 10"   | IBSD-24S     |

#### 'S' SERIES COMPONENT WITHOUT BOWL

| <u>Length</u>                | <u>Capacity</u> | <u>Model</u> |
|------------------------------|-----------------|--------------|
| <input type="checkbox"/> 12" | 1               | IBSS-12      |
| <input type="checkbox"/> 14" | 2               | IBSS-14      |
| <input type="checkbox"/> 18" | 2               | IBSS-18      |
| <input type="checkbox"/> 21" | 3               | IBSS-21      |
| <input type="checkbox"/> 24" | 3               | IBSS-24      |

#### 'D' SERIES COMPONENT WITHOUT BOWL

| <u>Length</u>                | <u>Capacity</u> | <u>Model</u> |
|------------------------------|-----------------|--------------|
| <input type="checkbox"/> 12" | 1               | IBSD-12      |
| <input type="checkbox"/> 14" | 2               | IBSD-14      |
| <input type="checkbox"/> 18" | 2               | IBSD-18      |
| <input type="checkbox"/> 21" | 3               | IBSD-21      |
| <input type="checkbox"/> 24" | 3               | IBSD-24      |

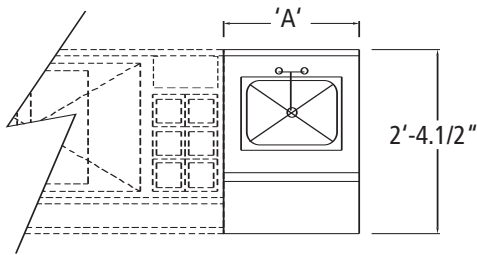
### OPTIONS

- LS Lift Out Dump Sink Strainer
- HS Hot Spray Faucet with Adapter Ring
- CB Cabinet Base
- M Modified - Custom
- SBF Special Brand Faucet Available Upon Request

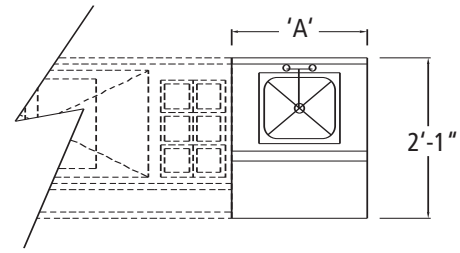


# BLENDER STATION

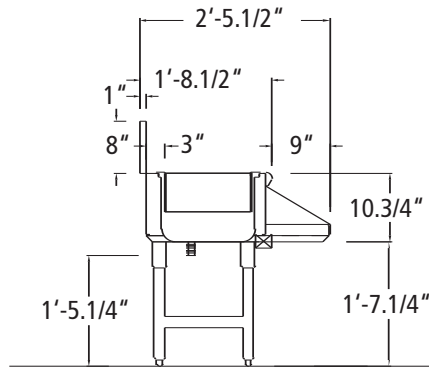
## MODULAR COMPONENTS



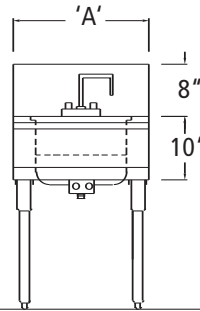
"D" SERIES PLAN



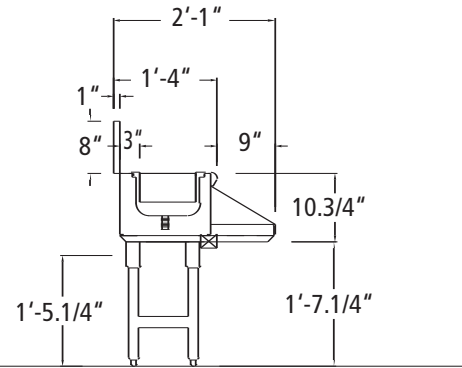
"S" SERIES PLAN



"D" SERIES SECTION



ELEVATION



"S" SERIES SECTION

NOTE: BLENDER CAPACITY IS BASED ON STANDARD SIZE BLENDER

| 'S' SERIES COMPONENT WITH BOWL |       |          |                  |           |        |      |
|--------------------------------|-------|----------|------------------|-----------|--------|------|
| LENGTH                         | DEPTH | CAPACITY | BOWL SIZE        | MODEL No. | WEIGHT | CUBE |
| 12"                            | 23    | 1        | 8" X 9" X 8"     | IBSS-12S  | 55     | 4    |
| 14"                            | 23    | 2        | 9.1/2 X 11" X 8" | IBSS-14S  | 60     | 4    |
| 18"                            | 23    | 2        | 10" X 14 X 10"   | IBSS-18S  | 65     | 6    |
| 21"                            | 23    | 3        | 10" X 14 X 10"   | IBSS-21S  | 70     | 6    |
| 24"                            | 23    | 3        | 10" X 14 X 10"   | IBSS-24S  | 75     | 8    |

| 'S' SERIES COMPONENT WITHOUT BOWL |       |          |           |        |      |  |
|-----------------------------------|-------|----------|-----------|--------|------|--|
| LENGTH                            | DEPTH | CAPACITY | MODEL No. | WEIGHT | CUBE |  |
| 12"                               | 23    | 1        | IBSS-12   | 55     | 4    |  |
| 14"                               | 23    | 2        | IBSS-14   | 60     | 4    |  |
| 18"                               | 23    | 2        | IBSS-18   | 65     | 6    |  |
| 21"                               | 23    | 3        | IBSS-21   | 70     | 6    |  |
| 24"                               | 23    | 3        | IBSS-24   | 75     | 8    |  |

| 'D' SERIES COMPONENT WITH BOWL |        |          |                  |           |        |      |
|--------------------------------|--------|----------|------------------|-----------|--------|------|
| LENGTH                         | DEPTH  | CAPACITY | BOWL SIZE        | MODEL No. | WEIGHT | CUBE |
| 12"                            | 29.1/2 | 1        | 8" X 9" X 8"     | IBSD-12S  | 55     | 4    |
| 14"                            | 29.1/2 | 2        | 9.1/2 X 11" X 8" | IBSD-14S  | 60     | 4    |
| 18"                            | 29.1/2 | 2        | 10" X 14 X 10"   | IBSD-18S  | 65     | 6    |
| 21"                            | 29.1/2 | 3        | 10" X 14 X 10"   | IBSD-21S  | 70     | 6    |
| 24"                            | 29.1/2 | 3        | 10" X 14 X 10"   | IBSD-24S  | 75     | 8    |

| 'D' SERIES COMPONENT WITHOUT BOWL |        |          |           |        |      |  |
|-----------------------------------|--------|----------|-----------|--------|------|--|
| LENGTH                            | DEPTH  | CAPACITY | MODEL No. | WEIGHT | CUBE |  |
| 12"                               | 29.1/2 | 1        | IBSD-12   | 55     | 4    |  |
| 14"                               | 29.1/2 | 2        | IBSD-14   | 60     | 4    |  |
| 18"                               | 29.1/2 | 2        | IBSD-18   | 65     | 6    |  |
| 21"                               | 29.1/2 | 3        | IBSD-21   | 70     | 6    |  |
| 24"                               | 29.1/2 | 3        | IBSD-24   | 75     | 8    |  |

### UTILITIES FOR COMPONENTS WITH BOWL

| COLD WATER    | HOT WATER    | DRAIN      |
|---------------|--------------|------------|
| 1 x 1/2" COLD | 1 x 1/2" HOT | 1 x 1.1/2" |

### ELECTRICAL

| MODEL NO.      | 115 V RECEPTACLES | AMPS    |
|----------------|-------------------|---------|
| IBS 12,14 & 18 | 2 (TWO) EACH      | 10 AMPS |
| IBS 21,24      | (FOUR) EACH       | 20 AMPS |



# CASINO COCKTAIL STATIONS

## MODULAR COMPONENTS

PROJECT \_\_\_\_\_

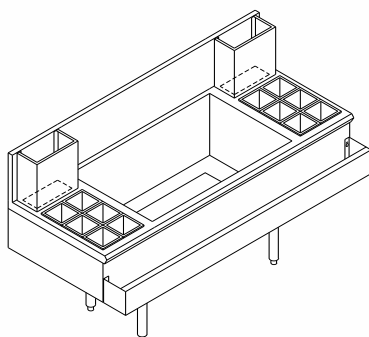
ITEM NO. \_\_\_\_\_



LIQUOR LINE ACCESS

LIQUOR SYSTEM INTERFACING  
INSTALLATION MADE EASY

MODEL ICSD-48 SHOWN WITH  
OPTIONAL CB - CABINET BASE



## MODELS

### 'S' SERIES 24" DEEP WITH 8 CIRCUIT SEALED IN COLD PLATE

| Length                       | Bottle Wells | Ice Capacity | Model      |
|------------------------------|--------------|--------------|------------|
| <input type="checkbox"/> 36" | 6            | .65#         | ICSS-36-P8 |
| <input type="checkbox"/> 42" | 12           | .65#         | ICSS-42-P8 |
| <input type="checkbox"/> 48" | 12           | .87#         | ICSS-48-P8 |
| <input type="checkbox"/> 54" | 12           | 1.08#        | ICSS-54-P8 |

### 'D' SERIES 28.1/2" DEEP WITH 8 CIRCUIT SEALED IN COLD PLATE

| Length                       | Bottle Wells | Ice Capacity | Model      |
|------------------------------|--------------|--------------|------------|
| <input type="checkbox"/> 42" | 12           | .86#         | ICSD-42-P8 |
| <input type="checkbox"/> 48" | 12           | 1.15#        | ICSD-48-P8 |
| <input type="checkbox"/> 54" | 12           | 1.45#        | ICSD-54-P8 |

### 'S' SERIES 24" DEEP WITHOUT COLD PLATE

| Length                       | Bottle Wells | Ice Capacity | Model   |
|------------------------------|--------------|--------------|---------|
| <input type="checkbox"/> 42" | 12           | .65#         | ICSS-42 |
| <input type="checkbox"/> 48" | 12           | .87#         | ICSS-48 |
| <input type="checkbox"/> 54" | 12           | 1.08#        | ICSS-54 |

### 'D' SERIES 28.1/2" DEEP WITHOUT COLD PLATE

| Length                       | Bottle Wells | Ice Capacity | Model   |
|------------------------------|--------------|--------------|---------|
| <input type="checkbox"/> 42" | 12           | .86#         | ICSD-42 |
| <input type="checkbox"/> 48" | 12           | 1.15#        | ICSD-48 |
| <input type="checkbox"/> 54" | 12           | 1.45#        | ICSD-54 |

## STANDARD FEATURES

- All Heli-arc welded construction
- All 18 gauge type 304, 18/8 stainless steel
- Heavy duty stainless steel gussets welded to 14 gauge stainless steel channel supports
- Stainless steel adjustable bullet feet
- Attractive high polished bullnose edge to front
- Polyurethane 'shot-in-place' insulation
- Separate bottle well bins are square, hard black plastic and sit in a removable sealed stainless steel pan
- Liquor / Soda line chases with removable shrouds
- Speed rail removable
- 12.1/2" net deep ice bin
- 1" x 3" brass drain
- Easy clean bin with 3/8" radius interior corners
- Liquor line access chases

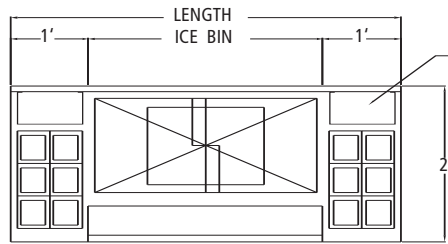
## OPTIONS

- P10 Sealed in Cold Plate 10 Circuit (Available in 'D' series only)
- CB Cabinet Base
- 18B 18" Deep Ice Bin
- M Modified - Custom



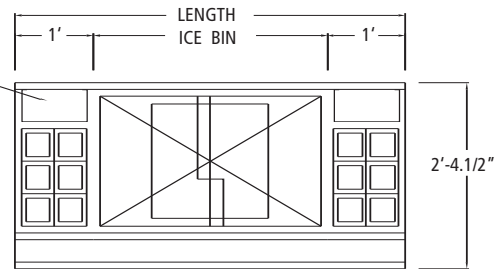
## CASINO COCKTAIL STATIONS

## MODULAR COMPONENTS

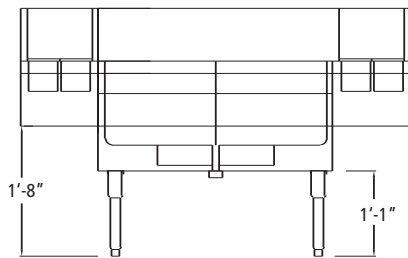


"S" SERIES PLAN VIEW

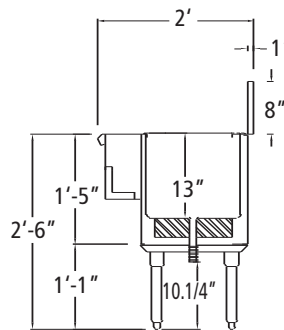
S/S LIQUOR AND SOD/INE CHASE (REMOVABLE)



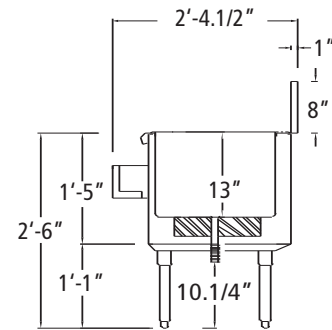
"D" SERIES PLAN VIEW



ELEVATION



"S" SERIES SECTION



"D" SERIES SECTION

## CHASE SIZES

## 'S' SERIES 24" DEEP WITH 8 CIRCUIT SEALED IN COLD PLATE

| LEFT SIDE | RIGHT SIDE | LENGTH | BOTTLE CAPACITY | ICE CAPACITY | MODEL NO.  | WEIGHT | CUBE |
|-----------|------------|--------|-----------------|--------------|------------|--------|------|
| 6" x 12"  | 6" x 12"   | 42"    | 15              | 65 #         | ICSS-42-P8 | 205    | 30   |
| 6" x 12"  | 6" x 12"   | 48"    | 18              | 87 #         | ICSS-48-P8 | 220    | 35   |
| 6" x 12"  | 6" x 12"   | 54"    | 20              | 108 #        | ICSS-54-P8 | 240    | 40   |

## CHASE SIZES

## 'D' SERIES 28.1/2" DEEP WITH 8 CIRCUIT SEALED IN COLD PLATE

| LEFT SIDE | RIGHT SIDE | LENGTH | BOTTLE CAPACITY | ICE CAPACITY | MODEL NO.  | WEIGHT | CUBE |
|-----------|------------|--------|-----------------|--------------|------------|--------|------|
| 6" x 12"  | 6" x 12"   | 42"    | 21              | 86 #         | ICSD-42-P8 | 205    | 30   |
| 6" x 12"  | 6" x 12"   | 48"    | 25              | 116 #        | ICSD-48-P8 | 220    | 35   |
| 6" x 12"  | 6" x 12"   | 54"    | 27              | 145 #        | ICSD-54-P8 | 240    | 40   |

## CHASE SIZES

## 'S' SERIES 24" DEEP WITHOUT COLD PLATE

| LEFT SIDE | RIGHT SIDE | LENGTH | BOTTLE CAPACITY | ICE CAPACITY | MODEL NO. | WEIGHT | CUBE |
|-----------|------------|--------|-----------------|--------------|-----------|--------|------|
| 6" x 12"  | 6" x 12"   | 42"    | 15              | 65 #         | ICSS-42   | 155    | 30   |
| 6" x 12"  | 6" x 12"   | 48"    | 18              | 87 #         | ICSS-48   | 170    | 35   |
| 6" x 12"  | 6" x 12"   | 54"    | 20              | 108 #        | ICSS-54   | 190    | 40   |

## CHASE SIZES

## 'D' SERIES 28.1/2" DEEP WITHOUT COLD PLATE

| LEFT SIDE | RIGHT SIDE | LENGTH | BOTTLE CAPACITY | ICE CAPACITY | MODEL NO. | WEIGHT | CUBE |
|-----------|------------|--------|-----------------|--------------|-----------|--------|------|
| 6" x 12"  | 6" x 12"   | 42"    | 21              | 86 #         | ICSD-42   | 155    | 30   |
| 6" x 12"  | 6" x 12"   | 48"    | 25              | 116 #        | ICSD-48   | 170    | 35   |
| 6" x 12"  | 6" x 12"   | 54"    | 27              | 145 #        | ICSD-54   | 190    | 40   |

## UTILITIES (8 CIRCUIT)

| DRAIN |
|-------|
| 1/2"  |

## UTILITIES

| DRAIN  |
|--------|
| 1 x 1" |

## UTILITIES (10 CIRCUIT)

| DRAIN |
|-------|
| 3/4"  |

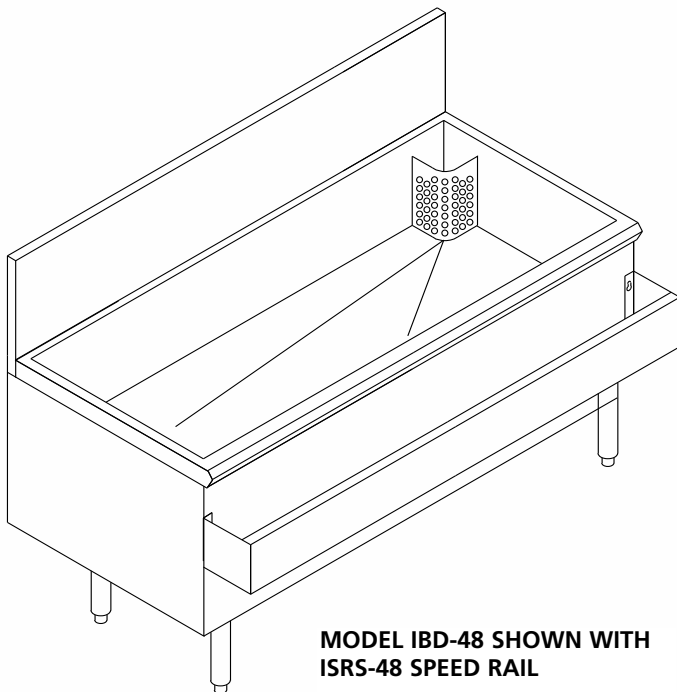


# ICE BATH

## MODULAR COMPONENTS

PROJECT \_\_\_\_\_

ITEM NO. \_\_\_\_\_



**MODEL IBD-48 SHOWN WITH ISRS-48 SPEED RAIL**



### STANDARD FEATURES

- All Heli-arc welded construction
- All 18 gauge type 304, 18/8 stainless steel
- Attractive high polished bullnose edge to front
- Polyurethane 'shot-in-place' insulation
- 9" deep ice bin
- 1" drain
- Easy clean bin with 3/8" radius interior corners
- Corner located stand pipe over flow with stainless steel guard

### MODELS

#### 'S' SERIES 20.1/2" DEEP

| Length                       | Ice Capacity | Model  |
|------------------------------|--------------|--------|
| <input type="checkbox"/> 30" | 65#          | IBS-30 |
| <input type="checkbox"/> 36" | 75#          | IBS-36 |
| <input type="checkbox"/> 42" | 90#          | IBS-42 |
| <input type="checkbox"/> 48" | 105#         | IBS-48 |

#### 'D' SERIES 24" DEEP

|                              |      |        |
|------------------------------|------|--------|
| <input type="checkbox"/> 30" | 78#  | IBD-30 |
| <input type="checkbox"/> 36" | 95#  | IBD-36 |
| <input type="checkbox"/> 42" | 110# | IBD-42 |
| <input type="checkbox"/> 48" | 130# | IBD-48 |

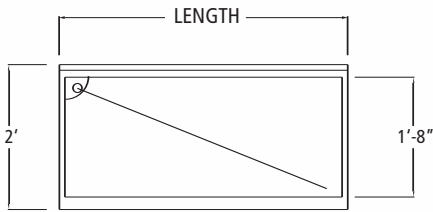
### OPTIONS

- CB Cabinet Base
- M Modified - Custom
- ISRS Single Speed Rail
- ISRD Double Speed Rail

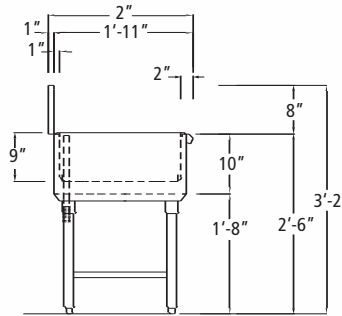


# ICE BATH

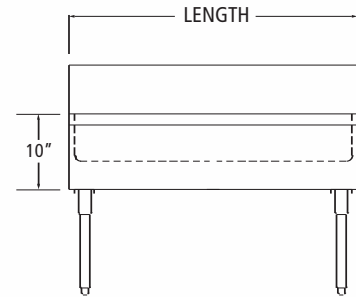
## MODULAR COMPONENTS



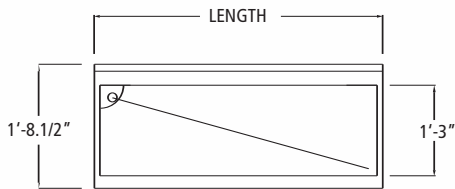
**"D" SERIES PLAN**



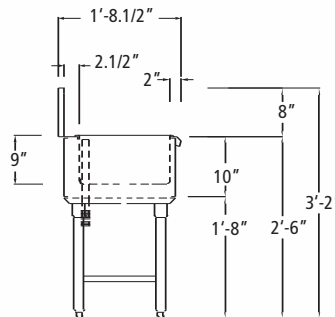
**"D" SERIES SECTION**



**TYPICAL ELEVATION**



**"S" SERIES PLAN**



**"S" SERIES SECTION**

| <b>S' SERIES 20.1/2" DEEP</b> |              |           |        |      |
|-------------------------------|--------------|-----------|--------|------|
| LENGTH                        | ICE CAPACITY | MODEL No. | WEIGHT | CUBE |
| 30"                           | 65#          | IBBS-30   | 90     | 18   |
| 36"                           | 75#          | IBBS-36   | 115    | 24   |
| 42"                           | 90#          | IBBS-42   | 150    | 24   |
| 48"                           | 105#         | IBBS-48   | 185    | 30   |

| <b>'D' SERIES 24" DEEP</b> |              |           |        |      |
|----------------------------|--------------|-----------|--------|------|
| LENGTH                     | ICE CAPACITY | MODEL No. | WEIGHT | CUBE |
| 30"                        | 78#          | IBBD-30   | 90     | 18   |
| 36"                        | 95#          | IBBD-36   | 115    | 24   |
| 42"                        | 110#         | IBBD-42   | 150    | 24   |
| 48"                        | 130#         | IBBD-48   | 185    | 30   |

**UTILITIES**

**DRAIN**

1 x 1"

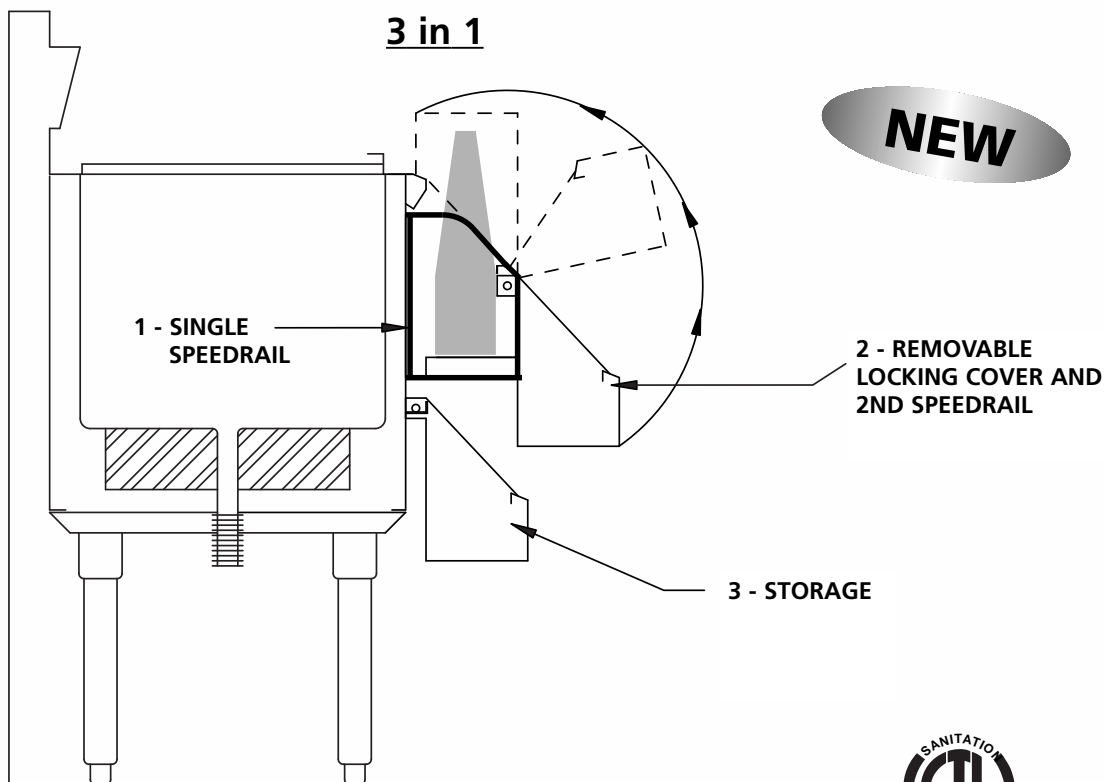


# SPEEDLOCK RAIL

## MODULAR COMPONENTS

PROJECT \_\_\_\_\_

ITEM NO. \_\_\_\_\_



### SPECIAL FEATURES

- All Heli-arc welded construction.
- All 18 gauge type 304, 18/8 stainless steel.
- Removable for ease of cleaning.
- Key hold with welded stud mounted on front apron
- Single speed rail
- Locking cover
- Converts to double speedrail or can be stored underneath

### MODELS

| <u>Length</u>                        | <u>Bottle Capacity</u> | <u>Model</u> |
|--------------------------------------|------------------------|--------------|
| <input type="checkbox"/> 12 in.....  | 3 .....                | SLR-12       |
| <input type="checkbox"/> 18 in.....  | 4 .....                | SLR-18       |
| <input type="checkbox"/> 24 in.....  | 6 .....                | SLR-24       |
| <input type="checkbox"/> 30 in.....  | 7 .....                | SLR-30       |
| <input type="checkbox"/> 36 in. .... | 9 .....                | SLR-36       |
| <input type="checkbox"/> 42 in. .... | 10.....                | SLR-42       |
| <input type="checkbox"/> 48 in. .... | 12.....                | SLR-48       |

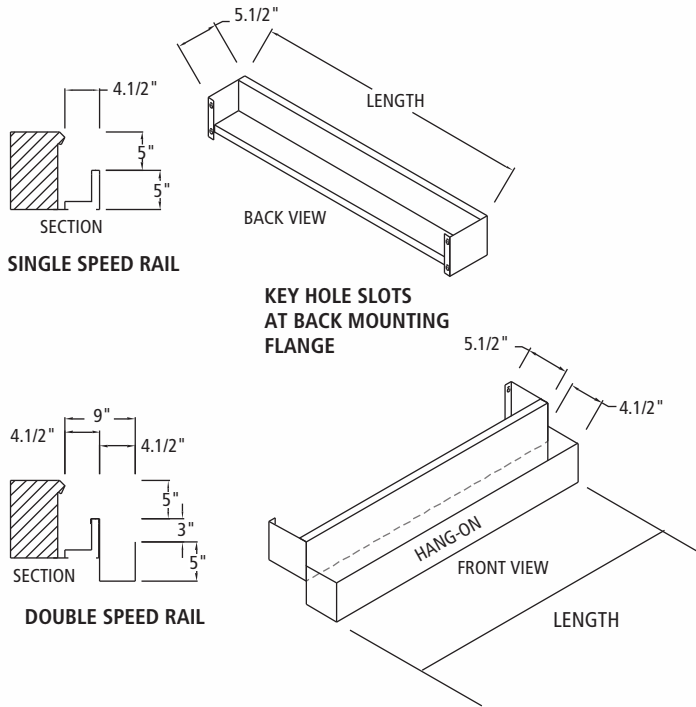


# SPEED RAIL

## MODULAR COMPONENTS

PROJECT \_\_\_\_\_

ITEM NO. \_\_\_\_\_



## MODELS

### SINGLE RAIL

| Length                          | Bottle Capacity | Model   |
|---------------------------------|-----------------|---------|
| <input type="checkbox"/> 12 in. | 3               | ISRS-12 |
| <input type="checkbox"/> 18 in. | 4               | ISRS-18 |
| <input type="checkbox"/> 24 in. | 6               | ISRS-24 |
| <input type="checkbox"/> 30 in. | 7               | ISRS-30 |
| <input type="checkbox"/> 36 in. | 9               | ISRS-36 |
| <input type="checkbox"/> 42 in. | 10              | ISRS-42 |
| <input type="checkbox"/> 48 in. | 12              | ISRS-48 |
| <input type="checkbox"/> 54 in. | 13              | ISRS-54 |
| <input type="checkbox"/> 60 in. | 15              | ISRS-60 |
| <input type="checkbox"/> 66 in. | 16              | ISRS-66 |
| <input type="checkbox"/> 72 in. | 18              | ISRS-72 |

### DOUBLE RAIL (includes single rail with hang on rail)

| Length                          | Bottle Capacity | Model   |
|---------------------------------|-----------------|---------|
| <input type="checkbox"/> 12 in. | 6               | ISRD-12 |
| <input type="checkbox"/> 18 in. | 8               | ISRD-18 |
| <input type="checkbox"/> 24 in. | 12              | ISRD-24 |
| <input type="checkbox"/> 30 in. | 14              | ISRD-30 |
| <input type="checkbox"/> 36 in. | 18              | ISRD-36 |
| <input type="checkbox"/> 42 in. | 20              | ISRD-42 |
| <input type="checkbox"/> 48 in. | 24              | ISRD-48 |
| <input type="checkbox"/> 54 in. | 26              | ISRD-54 |
| <input type="checkbox"/> 60 in. | 30              | ISRD-60 |
| <input type="checkbox"/> 66 in. | 32              | ISRD-66 |
| <input type="checkbox"/> 72 in. | 36              | ISRD-72 |

## STANDARD FEATURES

- All Heli-arc welded construction.
- All 18 gauge type 304, 18/8 stainless steel.
- Removable for ease of cleaning.
- Key hold with welded stud mounted on front apron

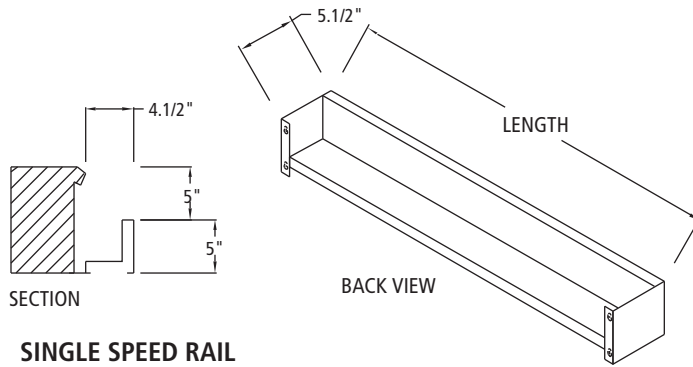
## OPTIONS

- LCS Locking Cover Single
- LCD Locking Cover Double
- W Welded to Body of Unit
- M Modified - Custom

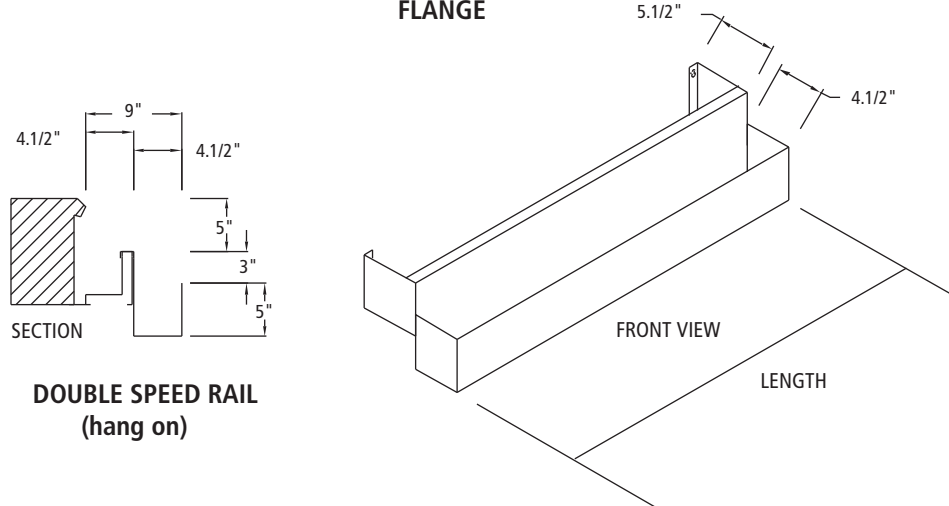


# SPEED RAIL

## MODULAR COMPONENTS



**KEY HOLE SLOTS  
AT BACK MOUNTING  
FLANGE**



| SINGLE RAIL |                 |           |
|-------------|-----------------|-----------|
| LENGTH      | BOTTLE CAPACITY | MODEL No. |
| 12"         | 3               | ISRS-12   |
| 18"         | 4               | ISRS-18   |
| 24"         | 6               | ISRS-24   |
| 30"         | 7               | ISRS-30   |
| 36"         | 9               | ISRS-36   |
| 42"         | 10              | ISRS-42   |
| 48"         | 12              | ISRS-48   |
| 54"         | 13              | ISRS-54   |
| 60"         | 15              | ISRS-60   |
| 66"         | 16              | ISRS-66   |
| 72"         | 18              | ISRS-72   |

| DOUBLE RAIL |                 |           |
|-------------|-----------------|-----------|
| LENGTH      | BOTTLE CAPACITY | MODEL No. |
| 12"         | 6               | ISRD-12   |
| 18"         | 8               | ISRD-18   |
| 24"         | 12              | ISRD-24   |
| 30"         | 14              | ISRD-30   |
| 36"         | 18              | ISRD-36   |
| 42"         | 20              | ISRD-42   |
| 48"         | 24              | ISRD-48   |
| 54"         | 26              | ISRD-54   |
| 60"         | 30              | ISRD-60   |
| 66"         | 32              | ISRD-66   |
| 72"         | 36              | ISRD-72   |

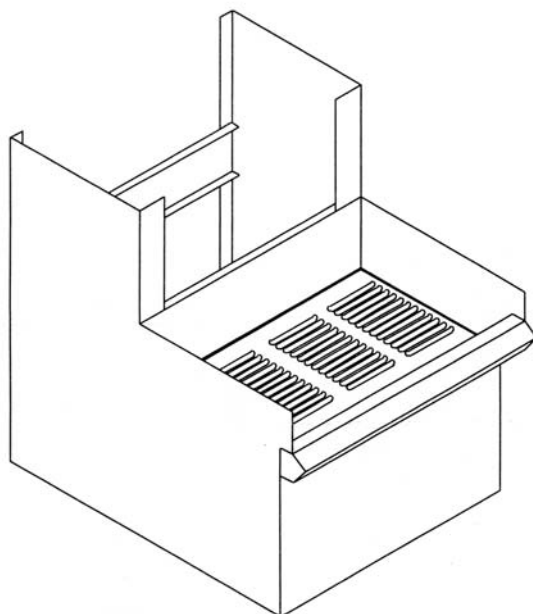


# BEVERAGE DISPENSING STATION

## MODULAR COMPONENTS

PROJECT \_\_\_\_\_

ITEM NO. \_\_\_\_\_



MODEL IBDS-18



### STANDARD FEATURES

- All Heli-arc welded construction
- All 18 gauge type 304, 18/8 stainless steel
- Attractive high polished bullnose edge to front
- Recessed stainless steel pouring tray
- Removable stainless steel pouring tray cover
- 1" brass drain

### MODELS

#### 'S' SERIES - 20.1/2" DEEP

| <u>Length</u>                      | <u>Model</u> |
|------------------------------------|--------------|
| <input type="checkbox"/> 18" ..... | IBDS-18      |
| <input type="checkbox"/> 24" ..... | IBDS-24      |

#### 'D' SERIES - 24" DEEP

|                                    |         |
|------------------------------------|---------|
| <input type="checkbox"/> 18" ..... | IBDD-18 |
| <input type="checkbox"/> 24" ..... | IBDD-24 |

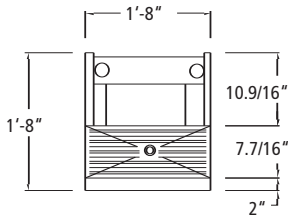
### OPTIONS

- FS Free Standing Leg set
- CB Cabinet Base
- M Modified / Custom

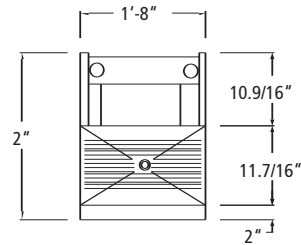


# BEVERAGE DISPENSING STATION

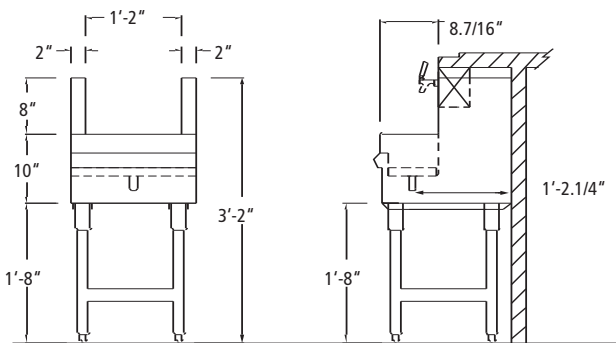
## MODULAR COMPONENTS



"S" SERIES PLAN VIEW

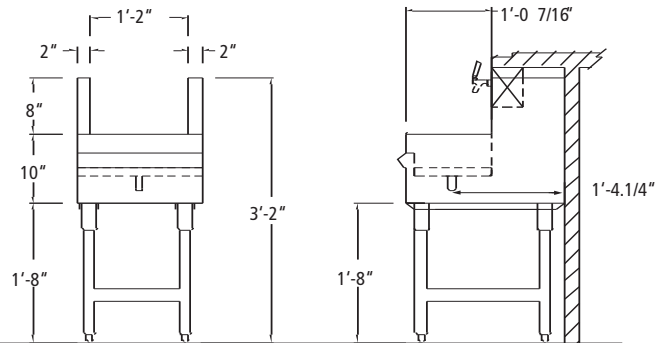


"D" SERIES PLAN VIEW



"S" SERIES ELEVATION

"S" SERIES SECTION



"D" SERIES ELEVATION

"D" SERIES SECTION

### 'S' SERIES 20.1/2" DEEP

| LENGTH | MODEL No. | WEIGHT | CUBE |
|--------|-----------|--------|------|
| 18"    | IBDS-18   | 55     | 8    |
| 24"    | IBDS-24   | 60     | 8    |

### 'D' SERIES 24" DEEP

| LENGTH | MODEL No. | WEIGHT | CUBE |
|--------|-----------|--------|------|
| 18"    | IBDD-18   | 55     | 8    |
| 24"    | IBDD-24   | 60     | 8    |

### UTILITIES

|        |
|--------|
| DRAIN  |
| 1 x 1" |

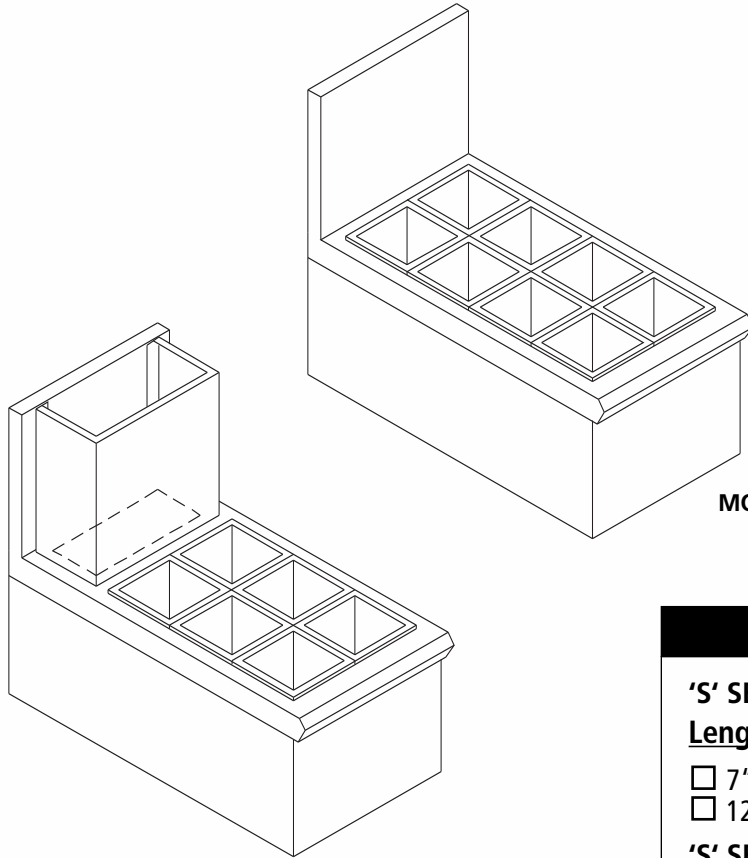


# BOTTLE WELLS

## MODULAR COMPONENTS

PROJECT \_\_\_\_\_

ITEM NO. \_\_\_\_\_



MODEL IWD-8

MODEL IWC-6 SHOWN WITH LIQUOR / SODA LINE CHASE



### STANDARD FEATURES

- All Heli-arc welded construction
- All 18 gauge type 304, 18/8 stainless steel
- Attractive high polished bullnose edge to front
- Separate bottle well bins are square, hard black plastic and sit in a sealed stainless steel pan

### MODELS

#### 'S' SERIES 20" DEEP

| <u>Length</u>                      | <u>Bottle Capacity</u> | <u>Model</u> |
|------------------------------------|------------------------|--------------|
| <input type="checkbox"/> 7" .....  | 3.....                 | IWS-3        |
| <input type="checkbox"/> 12" ..... | 6.....                 | IWS-6        |

#### 'S' SERIES 20" DEEP WITH ICE CHEST

| <u>Length</u>                      | <u>Bottle Capacity</u> | <u>Model</u> |
|------------------------------------|------------------------|--------------|
| <input type="checkbox"/> 7" .....  | 3.....                 | IWIS-3       |
| <input type="checkbox"/> 12" ..... | 6.....                 | IWIS-6       |

#### 'D' SERIES 24" DEEP

|                                    |        |       |
|------------------------------------|--------|-------|
| <input type="checkbox"/> 7" .....  | 4..... | IWD-4 |
| <input type="checkbox"/> 14" ..... | 8..... | IWD-8 |

#### 'D' SERIES 24" DEEP WITH ICE CHEST

|                                    |        |        |
|------------------------------------|--------|--------|
| <input type="checkbox"/> 7" .....  | 4..... | IWID-4 |
| <input type="checkbox"/> 14" ..... | 8..... | IWID-8 |

#### 'D' SERIES WITH CHASE

|                                    |        |       |
|------------------------------------|--------|-------|
| <input type="checkbox"/> 7" .....  | 3..... | IWC-3 |
| <input type="checkbox"/> 14" ..... | 6..... | IWC-6 |

#### 'D' SERIES WITH ICE CHEST AND CHASE

|                                    |        |        |
|------------------------------------|--------|--------|
| <input type="checkbox"/> 7" .....  | 3..... | IWIC-3 |
| <input type="checkbox"/> 14" ..... | 6..... | IWIC-6 |

### OPTIONS

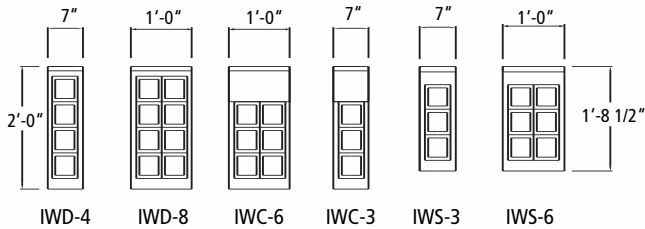
- M Modified - Custom



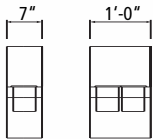
# BOTTLE WELLS

## MODULAR COMPONENTS

### BOTTLE WELLS STANDARD

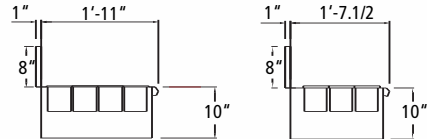


**"D" SERIES  
PLAN VIEW**



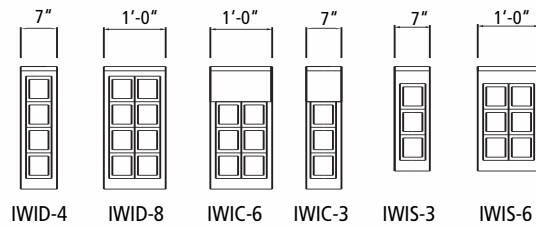
**ELEVATION**

**"S" SERIES  
PLAN VIEW**

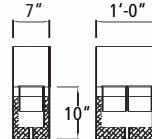


**'D' SERIES SECTION 'S' SERIES SECTION**

### BOTTLE WELLS WITH INSULATED ICE CHEST

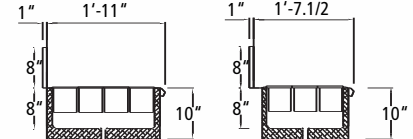


**"D" SERIES  
PLAN VIEW**



**ELEVATION**

**"S" SERIES  
PLAN VIEW**



**'D' SERIES SECTION ELEVATION**

| 'S' SERIES 20.1/2" DEEP |                 |           | WITH ICE CHEST |        |      |
|-------------------------|-----------------|-----------|----------------|--------|------|
| LENGTH                  | BOTTLE CAPACITY | MODEL No. | MODEL No.      | WEIGHT | CUBE |
| 7"                      | 3               | IWS-3     | IWIS-3         | 55     | 5    |
| 14"                     | 6               | IWS-6     | IWIS-6         | 70     | 8    |

| 'D' SERIES 24" DEEP |                 |           | WITH ICE CHEST |        |      |
|---------------------|-----------------|-----------|----------------|--------|------|
| LENGTH              | BOTTLE CAPACITY | MODEL No. | MODEL No.      | WEIGHT | CUBE |
| 7"                  | 4               | IWD-4     | IWID-4         | 55     | 5    |
| 14"                 | 8               | IWD-8     | IWID-8         | 70     | 8    |

| 'D' SERIES WITH BEVERAGE LINE CHASE |                 |           | WITH ICE CHEST |            |        |      |
|-------------------------------------|-----------------|-----------|----------------|------------|--------|------|
| LENGTH                              | BOTTLE CAPACITY | MODEL No. | MODEL No.      | CHASE SIZE | WEIGHT | CUBE |
| 7"                                  | 3               | IWC-3     | IWIC-3         | 6x6        | 55     | 5    |
| 14"                                 | 6               | IWC-6     | IWIC-6         | 6x12       | 70     | 8    |

### UTILITIES

**DRAIN**

1 x 1"



# FILLER CORNERS NOMENCLATURE

**I( ) - XX - XX - M**  
**(1) (2) (3) (4)**

| POSITION (1) | POSITION (2) | POSITION (3) |
|--------------|--------------|--------------|
|--------------|--------------|--------------|

| <u>Model</u>                 | <u>Type of Cut</u>   | <u>Angle</u>                                 |
|------------------------------|--|--|
| BFCI - FILLER CORNER INSIDE  | DM - MITER CUT CORNER<br>FILLER 'D' SERIES   | 15 - 15°<br>30 - 30°                         |
| BFCO - FILLER CORNER OUTSIDE | DQ - SQUARE CUT CORNER<br>FILLER 'D' SERIES<br>SM - MITER CUT CORNER<br>FILLER 'S' SERIES<br>SQ - SQUARE CUT CORNER<br>FILLER 'D' SERIES | 45 - 45°<br>60 - 60°<br>75 - 75°<br>90 - 90° |

## POSITION (4)

M- MODIFIED / CUSTOM

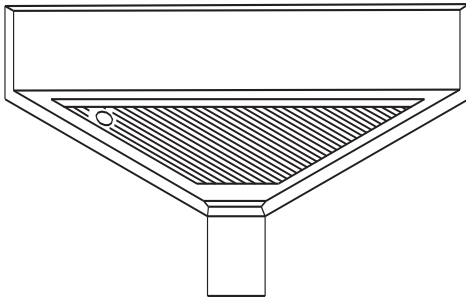


# INSIDE CORNER FILLER

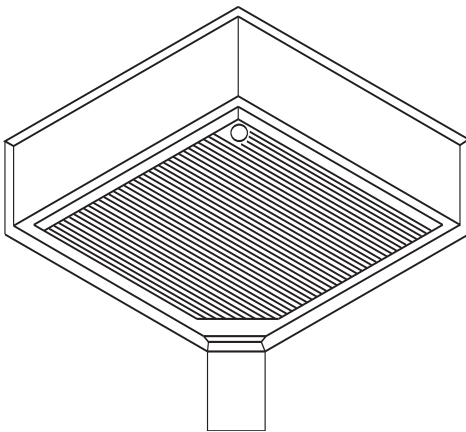
## MODULAR COMPONENTS

PROJECT \_\_\_\_\_

ITEM NO. \_\_\_\_\_



MODEL IFCI-SM-90



MODEL IFCI-SQ-90

## MODELS

### 'S' SERIES 20.1/2" DEEP

| Angle                        | Cut    | Model      |
|------------------------------|--------|------------|
| <input type="checkbox"/> 15° | Miter  | IFCI-SM-15 |
| <input type="checkbox"/> 30° | Miter  | IFCI-SM-30 |
| <input type="checkbox"/> 45° | Miter  | IFCI-SM-45 |
| <input type="checkbox"/> 60° | Miter  | IFCI-SM-60 |
| <input type="checkbox"/> 75° | Miter  | IFCI-SM-75 |
| <input type="checkbox"/> 90° | Miter  | IFCI-SM-90 |
| <input type="checkbox"/> 90° | Square | IFCI-SQ-90 |

### 'D' SERIES 24" DEEP

| Angle                        | Cut    | Model      |
|------------------------------|--------|------------|
| <input type="checkbox"/> 15° | Miter  | IFCI-DM-15 |
| <input type="checkbox"/> 30° | Miter  | IFCI-DM-30 |
| <input type="checkbox"/> 45° | Miter  | IFCI-DM-45 |
| <input type="checkbox"/> 60° | Miter  | IFCI-DM-60 |
| <input type="checkbox"/> 75° | Miter  | IFCI-DM-75 |
| <input type="checkbox"/> 90° | Miter  | IFCI-DM-90 |
| <input type="checkbox"/> 90° | Square | IFCI-DQ-90 |

## STANDARD FEATURES

- All Heli-arc welded construction.
- All 18 gauge type 304, 18/8 stainless steel.
- Attractive high polished bullnose edge to front.
- Drainboards are continuous corrugation
- Drainboards have 4" wide 18 gauge type 304, 18/8 stainless steel support channels and run full length and depth of drainboards.
- Drainboards are recessed and pitch to a 1" brass drain.

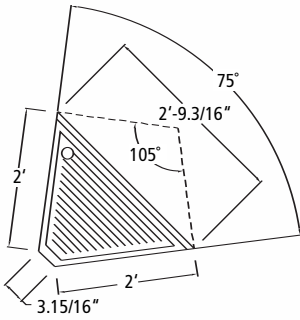
## OPTIONS

- M Modified - Custom

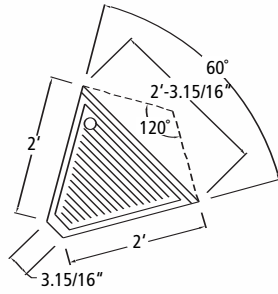


# INSIDE CORNER FILLER

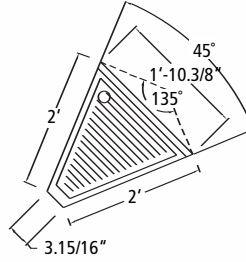
## MODULAR COMPONENTS



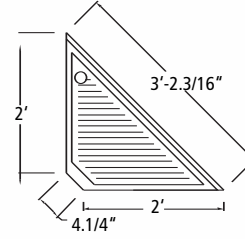
30° MITER CUT



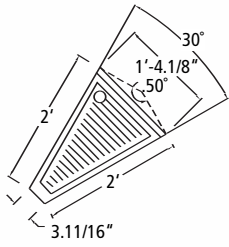
60° MITER CUT



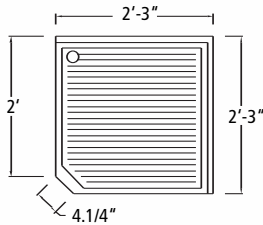
45° MITER CUT



90° MITER CUT



30° MITER CUT

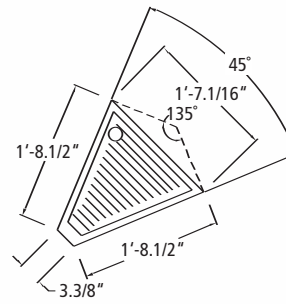


90° SQUARE CUT

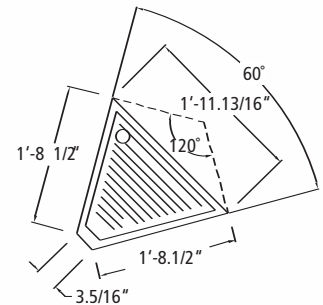
| UTILITIES |
|-----------|
| DRAIN     |
| 1 x 1"    |

| 'D' SERIES 24" DEEP |             |             |        |      |
|---------------------|-------------|-------------|--------|------|
| ANGLE               | DESCRIPTION | MODEL NO.   | WEIGHT | CUBE |
| 15°                 | 15° MITRE   | IFCI-DM-15  | 55     | 5    |
| 30°                 | 30° MITRE   | IFCI-DM-30  | 55     | 5    |
| 45°                 | 45° MITRE   | IFCI-DM-45  | 55     | 5    |
| 60°                 | 60° MITRE   | IFCI-DM-60  | 45     | 5    |
| 75°                 | 75° MITRE   | IFCI-DM-75  | 45     | 5    |
| 90°                 | 90° MITRE   | IIFCI-DM-90 | 60     | 5    |
| 90°                 | 90° SQUARE  | IFCI-DQ-90  | 55     | 5    |

| 'S' SERIES 20.1/2" DEEP |             |             |        |      |
|-------------------------|-------------|-------------|--------|------|
| ANGLE                   | DESCRIPTION | MODEL NO.   | WEIGHT | CUBE |
| 15°                     | 15° MITRE   | IFCI-SM-15  | 55     | 5    |
| 30°                     | 30° MITRE   | IFCI-SM-30  | 55     | 5    |
| 45°                     | 45° MITRE   | IFCI-SM-45  | 55     | 5    |
| 60°                     | 60° MITRE   | IFCI-SM-60  | 45     | 5    |
| 75°                     | 75° MITRE   | IFCI-SM-75  | 45     | 5    |
| 90°                     | 90° MITRE   | IIFCI-SM-90 | 60     | 5    |
| 90°                     | 90° SQUARE  | IFCI-SM-90  | 55     | 5    |

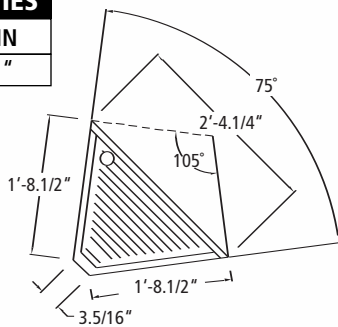


45° MITER CUT

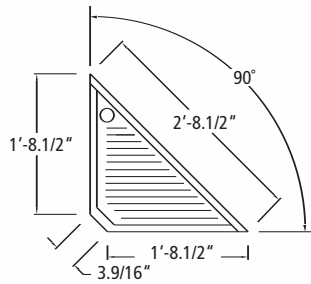


60° MITER CUT

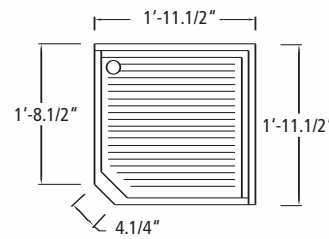
| UTILITIES |
|-----------|
| DRAIN     |
| 1 x 1"    |



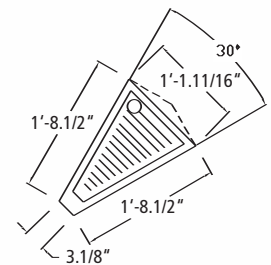
75° MITER CUT



90° MITER CUT



90° SQUARE CUT



30° MITER CUT

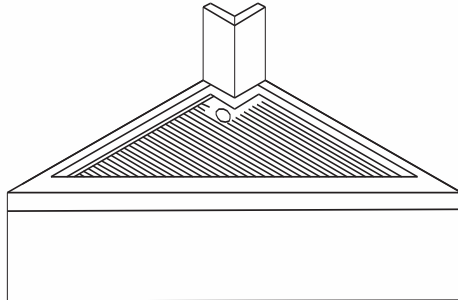


# OUTSIDE CORNER FILLER

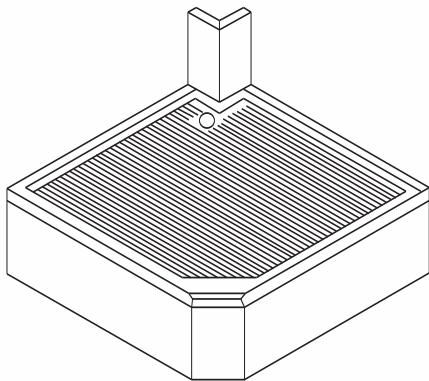
## MODULAR COMPONENTS

PROJECT \_\_\_\_\_

ITEM NO. \_\_\_\_\_



**MODEL IFCO-SM-90**



**MODEL IFCO-DQ-90**

### STANDARD FEATURES

- All Heli-arc welded construction.
- All 18 gauge type 304, 18/8 stainless steel.
- Attractive high polished bullnose edge to front.
- Drainboards are continuous
- Drainboards have 4" wide 18 gauge type 304, 18/8 stainless steel support channels that run full length and depth of drainboards.
- Drainboards are recessed and pitch to a 1" brass drain.

### MODELS

#### 'S' SERIES 20.1/2" DEEP

| Angle                        | Cut    | Model      |
|------------------------------|--------|------------|
| <input type="checkbox"/> 15° | Miter  | IFCO-SM-15 |
| <input type="checkbox"/> 30° | Miter  | IFCO-SM-30 |
| <input type="checkbox"/> 45° | Miter  | IFCO-SM-45 |
| <input type="checkbox"/> 60° | Miter  | IFCO-SM-60 |
| <input type="checkbox"/> 75° | Miter  | IFCO-SM-75 |
| <input type="checkbox"/> 90° | Miter  | IFCO-SM-90 |
| <input type="checkbox"/> 90° | Square | IFCO-SQ-90 |

#### 'D' SERIES 24" DEEP

| Angle                        | Cut    | Model      |
|------------------------------|--------|------------|
| <input type="checkbox"/> 15° | Miter  | IFCO-DM-15 |
| <input type="checkbox"/> 30° | Miter  | IFCO-DM-30 |
| <input type="checkbox"/> 45° | Miter  | IFCO-DM-45 |
| <input type="checkbox"/> 60° | Miter  | IFCO-DM-60 |
| <input type="checkbox"/> 75° | Miter  | IFCO-DM-75 |
| <input type="checkbox"/> 90° | Miter  | IFCO-DM-90 |
| <input type="checkbox"/> 90° | Square | IFCO-DQ-90 |

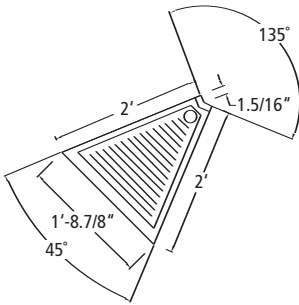
### OPTIONS

M Modified - Custom

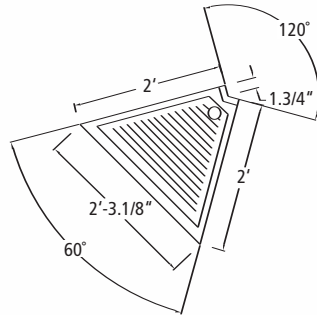


# OUTSIDE CORNER FILLER

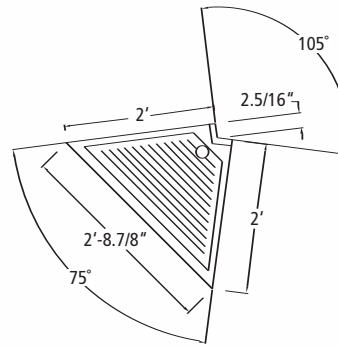
## MODULAR COMPONENTS



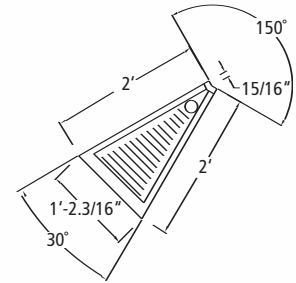
45° MITER CUT



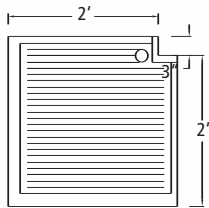
60° MITER CUT



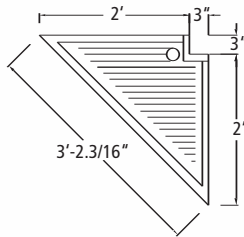
75° MITER CUT



60° MITER CUT



90° SQUARE CUT



90° MITER CUT

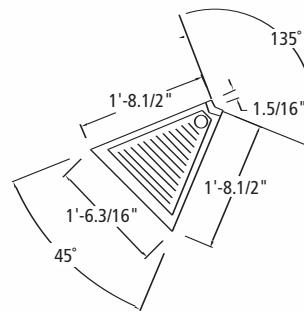
**UTILITIES**

**DRAIN**

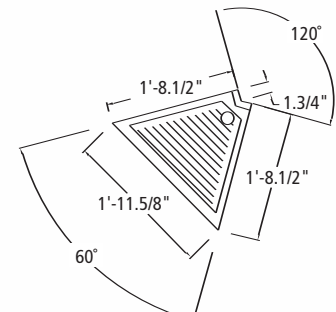
1 x 1"

| 'D' SERIES 24" DEEP |             |            |        |      |
|---------------------|-------------|------------|--------|------|
| ANGLE               | DESCRIPTION | MODEL NO.  | WEIGHT | CUBE |
| 15°                 | 15° MITRE   | IFCO-DM-15 | 55     | 5    |
| 30°                 | 30° MITRE   | IFCO-DM-30 | 55     | 5    |
| 45°                 | 45° MITRE   | IFCO-DM-45 | 55     | 5    |
| 60°                 | 60° MITRE   | IFCO-DM-60 | 45     | 5    |
| 75°                 | 75° MITRE   | IFCO-DM-75 | 45     | 5    |
| 90°                 | 90° MITRE   | IFCO-DM-90 | 60     | 5    |
| 90°                 | 90° SQUARE  | IFCO-DQ-90 | 55     | 5    |

| 'S' SERIES 20.1/2" DEEP |             |            |        |      |
|-------------------------|-------------|------------|--------|------|
| ANGLE                   | DESCRIPTION | MODEL NO.  | WEIGHT | CUBE |
| 15°                     | 15° MITRE   | IFCO-SM-15 | 55     | 5    |
| 30°                     | 30° MITRE   | IFCO-SM-30 | 55     | 5    |
| 45°                     | 45° MITRE   | IFCO-SM-45 | 55     | 5    |
| 60°                     | 60° MITRE   | IFCO-SM-60 | 45     | 5    |
| 75°                     | 75° MITRE   | IFCO-SM-75 | 45     | 5    |
| 90°                     | 90° MITRE   | IFCO-SM-90 | 60     | 5    |
| 90°                     | 90° SQUARE  | IFCO-SM-90 | 55     | 5    |



45° MITER CUT

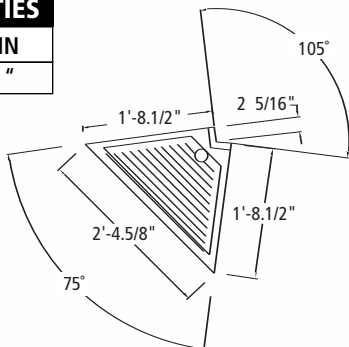


60° MITER CUT

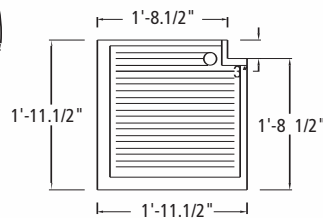
**UTILITIES**

**DRAIN**

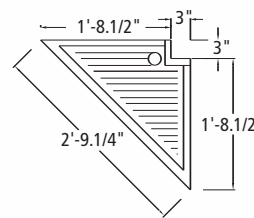
1 x 1"



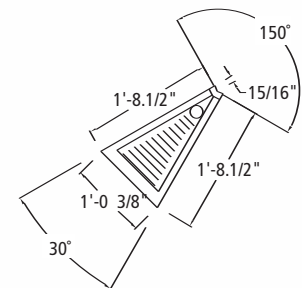
75° MITER CUT



90° SQUARE CUT



90° MITER CUT



60° MITER CUT

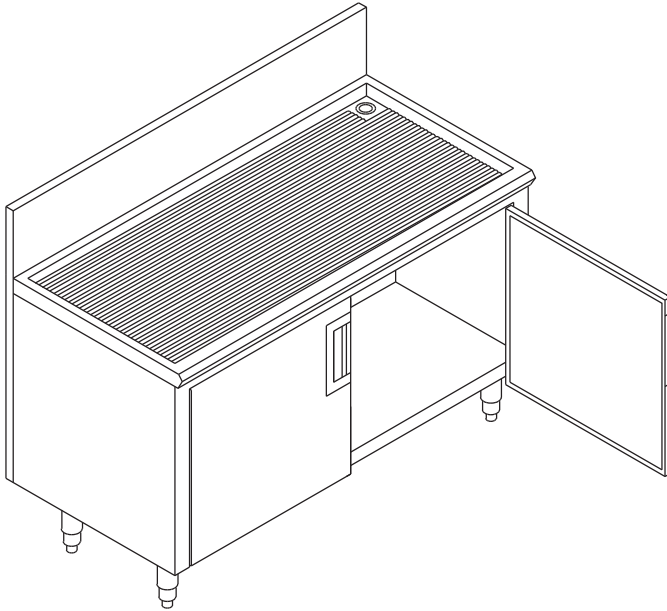


# CABINET BASES

## MODULAR COMPONENTS

PROJECT \_\_\_\_\_

ITEM NO. \_\_\_\_\_



MODEL No. ICBD-48 'D' SERIES CABINET BASE



CONFORMS TO  
ANSI/NSF STD 2

### STANDARD FEATURES

- All Heli-arc welded construction
- All 18 gauge type 304, 18/8 stainless steel
- Heavy duty stainless steel gussets welded to 14 gauge stainless steel channel supports
- Stainless steel adjustable bullet feet
- Attractive high polished bullnose edge to front
- Doors are double skin 18 gauge type 304, 18/8 stainless steel
- Doors are mounted on heavy duty mullions and are removable with stainless steel Pin hinges
- Attractive door pull
- Positive action door catches
- Drainboards are continuous
- Drainboards pitch to a 1" brass drain
- Drainboards have 4" wide 18 gauge type 304, 18/8 stainless steel support channels

### MODELS

#### 'S' SERIES 20.1/2" DEEP

(with Corrugated Drainboard and Doors)

| Length                       | Doors | Cubic Interior | Model    |
|------------------------------|-------|----------------|----------|
| <input type="checkbox"/> 18" | 1     | 3.5 cu.ft      | ICBS-18D |
| <input type="checkbox"/> 24" | 1     | 4.7 cu.ft      | ICBS-24D |
| <input type="checkbox"/> 36" | 1     | 7.1 cu.ft      | ICBS-36D |
| <input type="checkbox"/> 48" | 2     | 9.5 cu.ft      | ICBS-48D |
| <input type="checkbox"/> 60" | 2     | 11.8 cu.ft     | ICBS-60D |
| <input type="checkbox"/> 72" | 3     | 14.2 cu.ft     | ICBS-72D |

#### WITHOUT DOORS

| Length                       | Cubic Interior | Model   |
|------------------------------|----------------|---------|
| <input type="checkbox"/> 18" | 3.5 cu.ft      | ICBS-18 |
| <input type="checkbox"/> 24" | 4.7 cu.ft      | ICBS-24 |
| <input type="checkbox"/> 36" | 7.1 cu.ft      | ICBS-36 |
| <input type="checkbox"/> 48" | 9.5 cu.ft      | ICBS-48 |
| <input type="checkbox"/> 60" | 11.8 cu.ft     | ICBS-60 |
| <input type="checkbox"/> 72" | 14.2 cu.ft     | ICBS-72 |

#### 'D' SERIES 24" DEEP

(with Corrugated Drainboard and Doors)

| Length                       | Doors | Cubic Interior | Model    |
|------------------------------|-------|----------------|----------|
| <input type="checkbox"/> 18" | 1     | 4.5 cu.ft      | ICBD-18D |
| <input type="checkbox"/> 24" | 1     | 6.1 cu.ft      | ICBD-24D |
| <input type="checkbox"/> 36" | 1     | 9.2 cu.ft      | ICBD-36D |
| <input type="checkbox"/> 48" | 2     | 12.2 cu.ft     | ICBD-48D |
| <input type="checkbox"/> 60" | 2     | 15.3 cu.ft     | ICBD-60D |
| <input type="checkbox"/> 72" | 3     | 18.3 cu.ft     | ICBD-72D |

#### WITHOUT DOORS

| Length                       | Cubic Interior | Model   |
|------------------------------|----------------|---------|
| <input type="checkbox"/> 18" | 4.5 cu.ft      | ICBD-18 |
| <input type="checkbox"/> 24" | 6.1 cu.ft      | ICBD-24 |
| <input type="checkbox"/> 36" | 9.2 cu.ft      | ICBD-36 |
| <input type="checkbox"/> 48" | 12.2 cu.ft     | ICBD-48 |
| <input type="checkbox"/> 60" | 15.3 cu.ft     | ICBD-60 |
| <input type="checkbox"/> 72" | 18.3 cu.ft     | ICBD-72 |

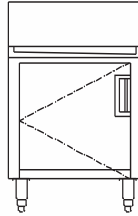
### OPTIONS

- DL Door Locks
- IS Adjustable Intermediate Stainless Steel Wire Shelf
- RS3 Glass Rack Storage Slides Assemblies for (3) 20 X 20 Glass Racks - for Model BCB-24
- RS6 Glass Rack Storage Slides Assemblies for (6) 20 X 20 Glass Racks - for Model BCB-48
- RS9 Glass Rack Storage Slides Assemblies for (9) 20 X 20 Glass Racks - for Model BCB-72
- M Modified - Custom

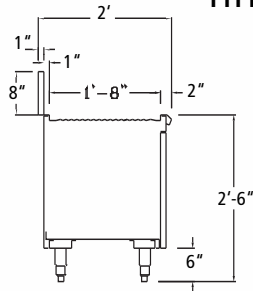


# CABINET BASES

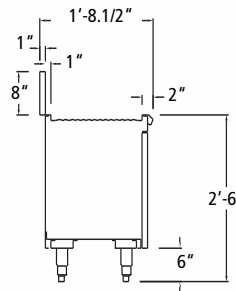
## MODULAR COMPONENTS



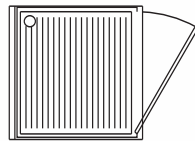
TYPICAL ELEVATION



'D' SERIES SECTION

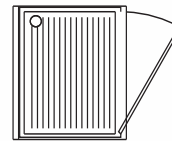


'S' SERIES SECTION



'D' PLAN VIEW

DRAIN LOCATION  
TO SUIT



'S' PLAN VIEW

### 'S' SERIES - 20.1/2" DEEP WITH CORRUGATED DRAINBOARD AND DOORS

| LENGTH | DOORS | CUBIC INTERIOR | MODEL No. | WEIGHT | CUBE |
|--------|-------|----------------|-----------|--------|------|
| 18"    | 1     | 3.5 cu.ft      | ICBS-18D  | 110    | 12   |
| 24"    | 1     | 4.7 cu.ft      | ICBS-24D  | 120    | 18   |
| 36"    | 1     | 7.1 cu.ft      | ICBS-36D  | 150    | 18   |
| 48"    | 2     | 9.5 cu.ft      | ICBS-48D  | 240    | 24   |
| 60"    | 2     | 11.8 cu.ft     | ICBS-60D  | 300    | 30   |
| 72"    | 3     | 14.2 cu.ft     | ICBS-72D  | 350    | 35   |

### 'S' SERIES - 20.1/2" DEEP WITH CORRUGATED DRAINBOARD NO DOORS

| LENGTH | CUBIC INTERIOR | MODEL No. | WEIGHT | CUBE |
|--------|----------------|-----------|--------|------|
| 18"    | 3.5 cu.ft      | ICBS-18   | 100    | 12   |
| 24"    | 4.7 cu.ft      | ICBS-24   | 110    | 18   |
| 36"    | 7.1 cu.ft      | ICBS-36   | 140    | 18   |
| 48"    | 9.5 cu.ft      | ICBS-48   | 220    | 24   |
| 60"    | 11.8 cu.ft     | ICBS-60   | 280    | 30   |
| 72"    | 14.2 cu.ft     | ICBS-72   | 330    | 35   |

### 'D' SERIES - 24" DEEP WITH CORRUGATED DRAINBOARD AND DOORS

| LENGTH | DOORS | CUBIC INTERIOR | MODEL No. | WEIGHT | CUBE |
|--------|-------|----------------|-----------|--------|------|
| 18"    | 1     | 4.5 cu.ft      | ICBD-18D  | 110    | 9    |
| 24"    | 1     | 6.1 cu.ft      | ICBD-24D  | 120    | 12   |
| 36"    | 1     | 9.2 cu.ft      | ICBD-36D  | 150    | 18   |
| 48"    | 2     | 12.2 cu.ft     | ICBD-48D  | 240    | 28   |
| 60"    | 2     | 15.3 cu.ft     | ICBD-60D  | 300    | 30   |
| 72"    | 3     | 18.3 cu.ft     | ICBD-72D  | 350    | 35   |

### 'D' SERIES - 24" DEEP WITH CORRUGATED DRAINBOARD NO DOORS

| LENGTH | CUBIC INTERIOR | MODEL No. | WEIGHT | CUBE |
|--------|----------------|-----------|--------|------|
| 18"    | 4.5 cu.ft      | ICBD-18   | 100    | 12   |
| 24"    | 6.1 cu.ft      | ICBD-24   | 110    | 18   |
| 36"    | 9.2 cu.ft      | ICBD-36   | 140    | 18   |
| 48"    | 12.2 cu.ft     | ICBD-48   | 220    | 24   |
| 60"    | 15.3 cu.ft     | ICBD-60   | 280    | 30   |
| 72"    | 18.3 cu.ft     | ICBD-72   | 330    | 35   |

### UTILITIES

DRAIN

1 x 1"

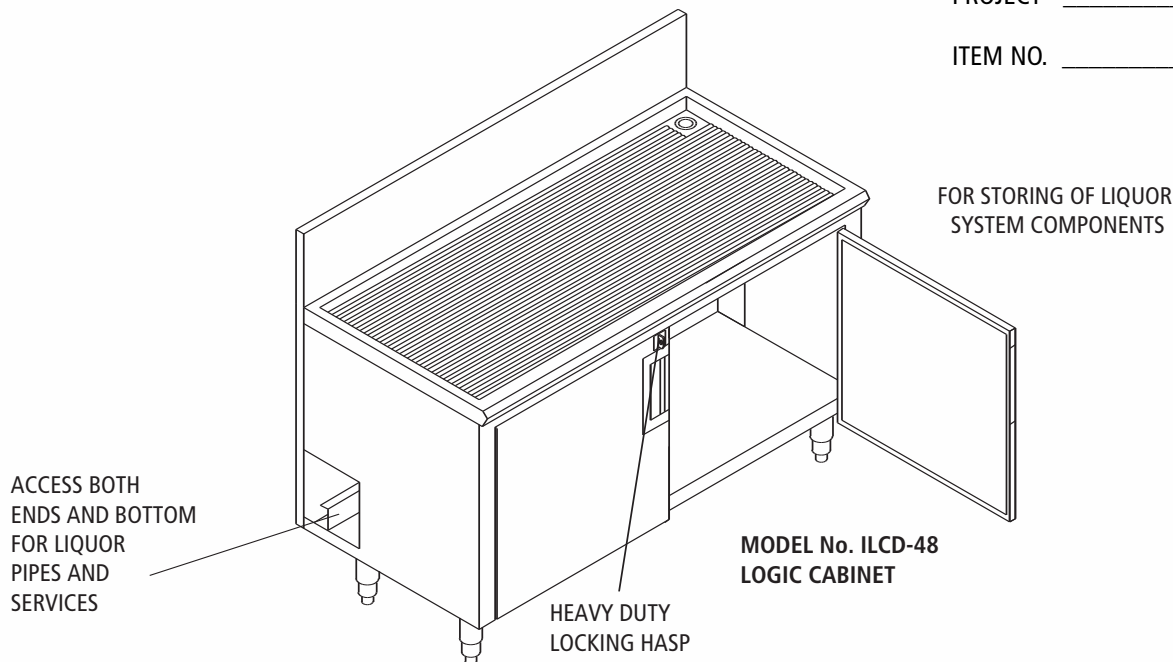


# CASINO LOGIC CABINET

## MODULAR COMPONENTS

PROJECT \_\_\_\_\_

ITEM NO. \_\_\_\_\_



### STANDARD FEATURES

- All Heli-arc welded construction
- All 18 gauge type 304, 18/8 stainless steel
- 3/4" marine plywood is applied to the interior back, and ends for mounting liquor system components and controls
- Heavy duty stainless steel gussets welded to 14 gauge stainless steel channel supports
- Stainless steel adjustable bullet feet
- Attractive high polished bullnose edge to front
- Access chases at bottom, rear and both ends for services and liquor lines
- Heavy duty locking hasp
- Doors are double skin 18 gauge type 304, 18/8 stainless steel
- Doors are mounted on heavy duty mullions with stainless steel pin hinges
- Attractive door pull
- Positive action door catches
- Drainboards are continuous
- Drainboards pitch to a 1" brass drain
- Drainboards have 4" wide 18 gauge type 304, 18/8 stainless steel support channels

### MODELS

#### 'D' SERIES 24" DEEP

| <u>Length</u>                      | <u>Model</u> |
|------------------------------------|--------------|
| <input type="checkbox"/> 24" ..... | ILCD-24      |
| <input type="checkbox"/> 36" ..... | ILCD-36      |
| <input type="checkbox"/> 48" ..... | ILCD-48      |

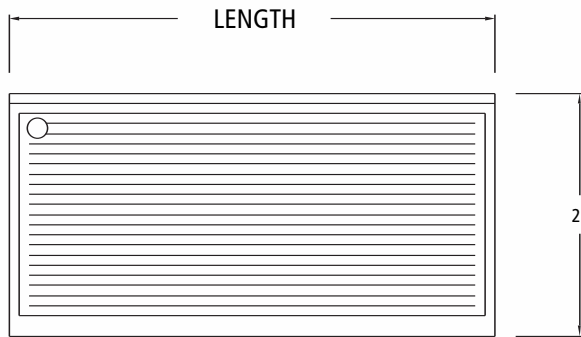
### OPTIONS

M Modified - Custom

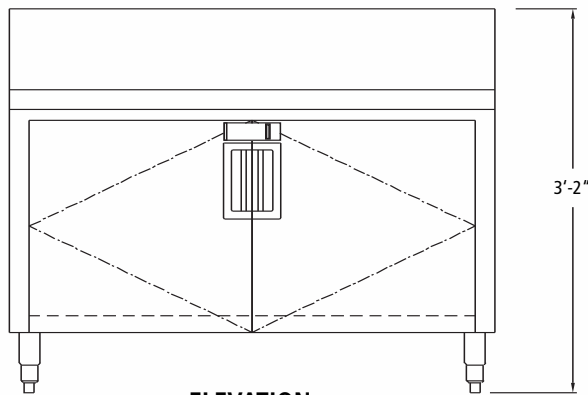


**CASINO LOGIC CABINET**

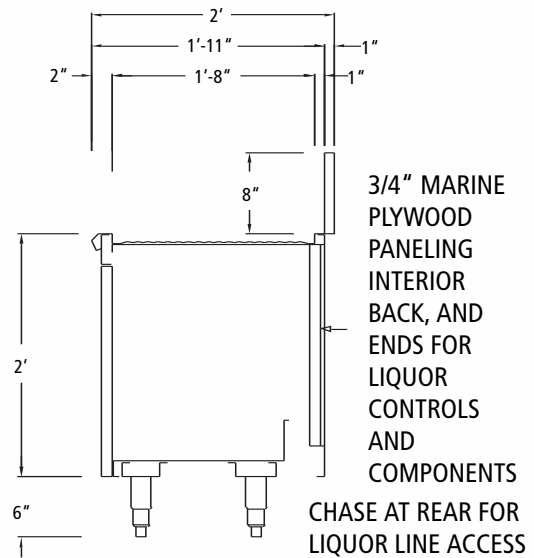
MODULAR COMPONENTS



PLAN VIEW



ELEVATION



SECTION

**'D' SERIES 24" DEEP**

| LENGTH | MODEL NO. | WEIGHT | CUBE |
|--------|-----------|--------|------|
| 24"    | ILCD-24   | 195    | 18   |
| 36"    | ILCD-36   | 275    | 18   |
| 48"    | ILCD-48   | 325    | 24   |

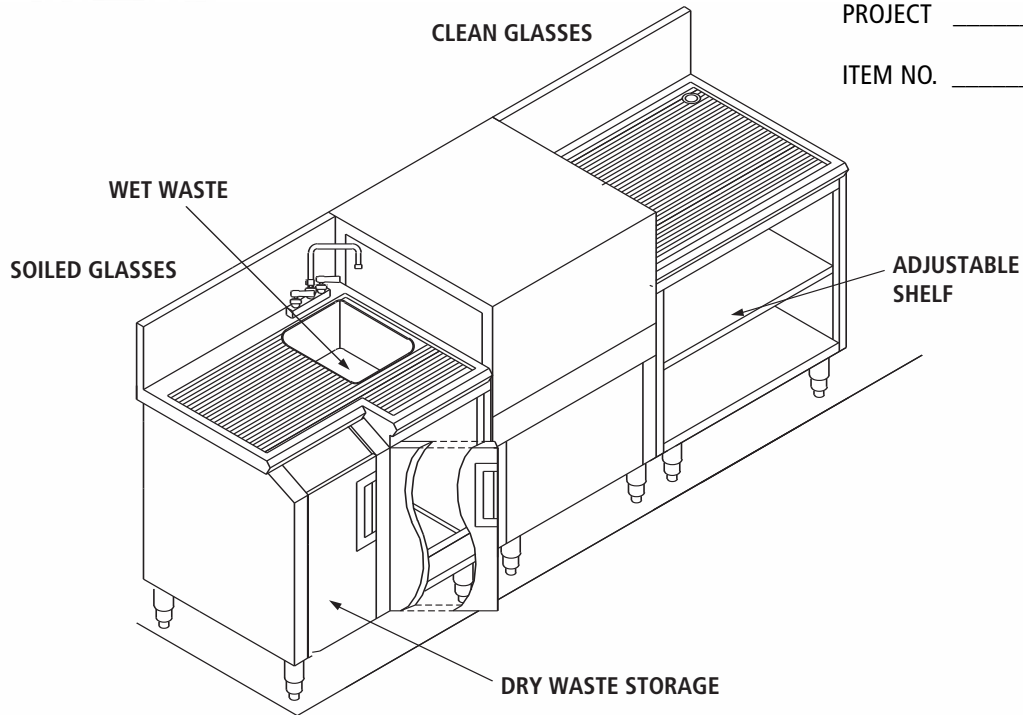
**UTILITIES****DRAIN**

1 x 1"



# GLASS WASHING STATION

## MODULAR COMPONENTS



PROJECT \_\_\_\_\_

ITEM NO. \_\_\_\_\_

### STANDARD FEATURES

- All Heli-arc welded construction
- All 18 gauge type 304, 18/8 stainless steel
- Attractive high polished bullnose edge to front
- Drainboards are continuous
- Drainboards have 4" wide 18 gauge type 304, 18/8 stainless steel support channels that run full length and depth of drainboards
- Drainboards are recessed and pitch to a 1" brass drain
- Drainboards with sink bowl include a premium faucet and 1.1/2" drain
- Doors are double skin 18 gauge type 304, 18/8 stainless steel
- Doors are mounted on heavy duty mullions with stainless steel pin hinges
- Attractive door pull
- Positive action door catches
- Soiled glass section has cabinet base for shelf of detergent products
- Clean glass section has intermediate shelf for glass racks
- Access chases at bottom, rear for detergent lines

### MODELS

| SOILED GLASS SECTION 24" DEEP |                    |         |
|-------------------------------|--------------------|---------|
| Length                        | Bowl Size          | Model   |
| <input type="checkbox"/> 25"  | 9" x 11" x 8" deep | ISGT-25 |
| CLEAN GLASS SECTION 24" DEEP  |                    |         |
| <input type="checkbox"/> 24"  | 2                  | ICGT-24 |

### OPTIONS

- GRA Glass Rack Assembly
- M Modified - Custom

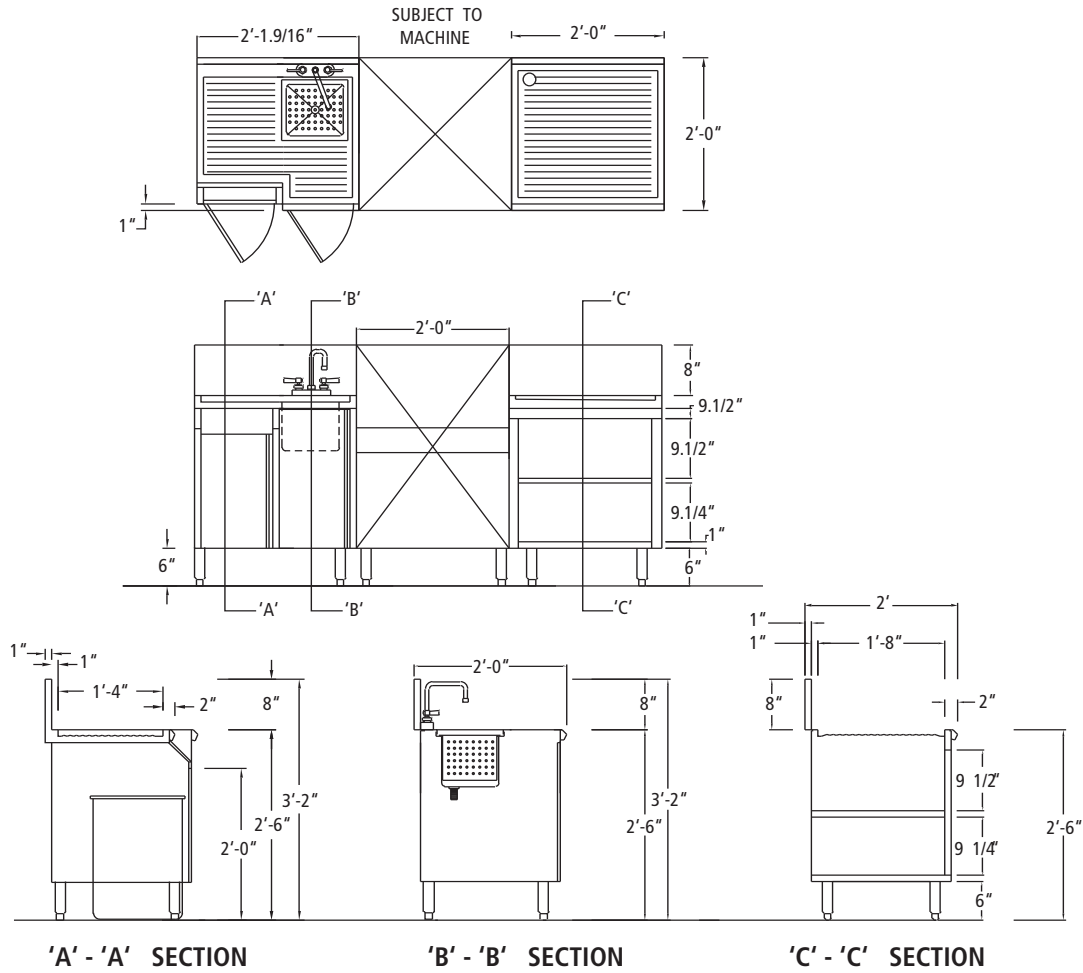


CONFORMS TO ANSI/NSF STD 2



# GLASS WASHING STATION

## MODULAR COMPONENTS



| SOILED GLASS SECTION 24" DEEP |           |           |
|-------------------------------|-----------|-----------|
| LENGTH                        | BOWL SIZE | MODEL No. |
| 25                            | 3 GALLONS | ISGT-25   |

| UTILITIES  |           |            |
|------------|-----------|------------|
| COLD WATER | HOT WATER | DRAIN      |
| 1 x 1/2"   | 1 x 1/2"  | 1 x 1.1/2" |

| CLEAN GLASS SECTION 24" DEEP |         |           |
|------------------------------|---------|-----------|
| LENGTH                       | SHELVES | MODEL No. |
| 24                           | 2       | ICGT-24   |

| UTILITIES |
|-----------|
| DRAIN     |
| 1 x 1"    |

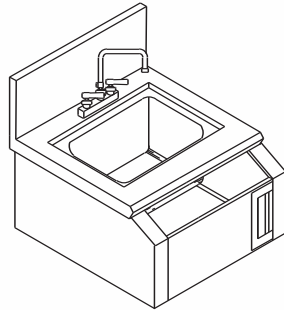
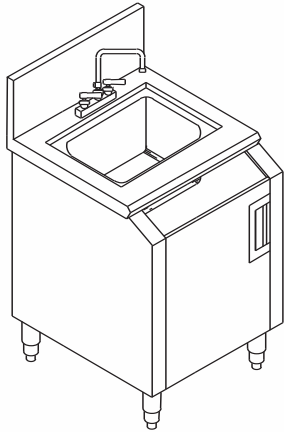


# WASTE STATIONS

## MODULAR COMPONENTS

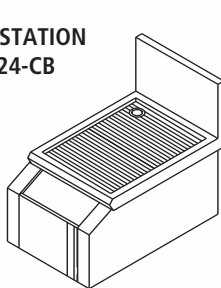
PROJECT \_\_\_\_\_

ITEM NO. \_\_\_\_\_

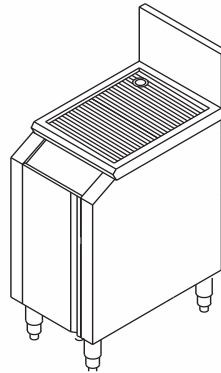


WET/DRY WASTE STATION  
MODEL IWSD-24

WET/DRY WASTE STATION  
MODEL IWSD-24-CB



DRY WASTE STATION  
MODEL IDWD-14



DRY WASTE STATION  
MODEL IDWD-14-CB



## MODELS

### DRY WASTE STATION

'S' SERIES 20.1/2" DEEP (with Corrugated Drainboard)

| Length                             | Model   |
|------------------------------------|---------|
| <input type="checkbox"/> 14" ..... | IDWS-14 |
| <input type="checkbox"/> 18" ..... | IDWS-18 |
| <input type="checkbox"/> 24" ..... | IDWS-24 |

'D' SERIES 24" DEEP ((with Corrugated Drainboard)

| Length                             | Model   |
|------------------------------------|---------|
| <input type="checkbox"/> 14" ..... | IDWD-14 |
| <input type="checkbox"/> 18" ..... | IDWD-18 |
| <input type="checkbox"/> 24" ..... | IDWD-24 |

### WET / DRY WASTE STATION

'S' SERIES 20.1/2" DEEP (with Bowl & dry waste chute)

| Length                             | Bowl Size     | Model   |
|------------------------------------|---------------|---------|
| <input type="checkbox"/> 14" ..... | 9" x 11" x 6" | IWSS-14 |
| <input type="checkbox"/> 18" ..... | 9" x 11" x 6" | IWSS-18 |

'S' SERIES 24" DEEP (with Bowl & dry waste chute)

| Length                             | Bowl Size     | Model   |
|------------------------------------|---------------|---------|
| <input type="checkbox"/> 14" ..... | 9" x 11" x 6" | IWSD-14 |
| <input type="checkbox"/> 18" ..... | 9" x 11" x 6" | IWSD-18 |

## STANDARD FEATURES

- All Heli-arc welded construction
- All 18 gauge type 304, 18/8 stainless steel
- Heavy duty stainless steel gussets welded to 14 gauge stainless steel channel supports
- Stainless steel adjustable bullet feet
- Attractive high polished bullnose edge to front
- Built in dry waste trash chute
- Drainboard top is continuous corrugation
- Drainboard has 4" wide 18 gauge type 304, 18/8 stainless steel support channels that run full length and depth of drainboards
- Drainboard is recessed and pitch to a 1" brass drain
- Door is double skin 18 gauge type 304, 18/8 stainless steel
- Door is mounted on heavy duty mullions with stainless steel pin hinges
- Attractive door pull
- Positive action door catches

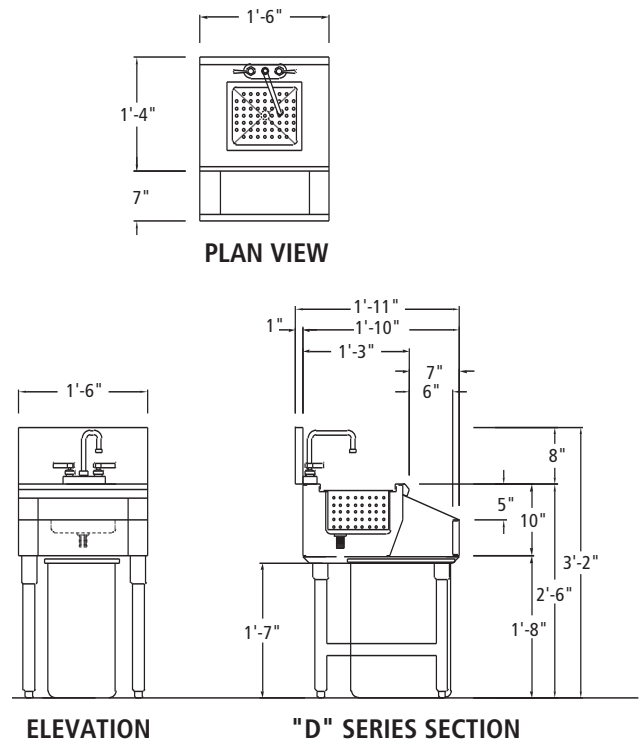
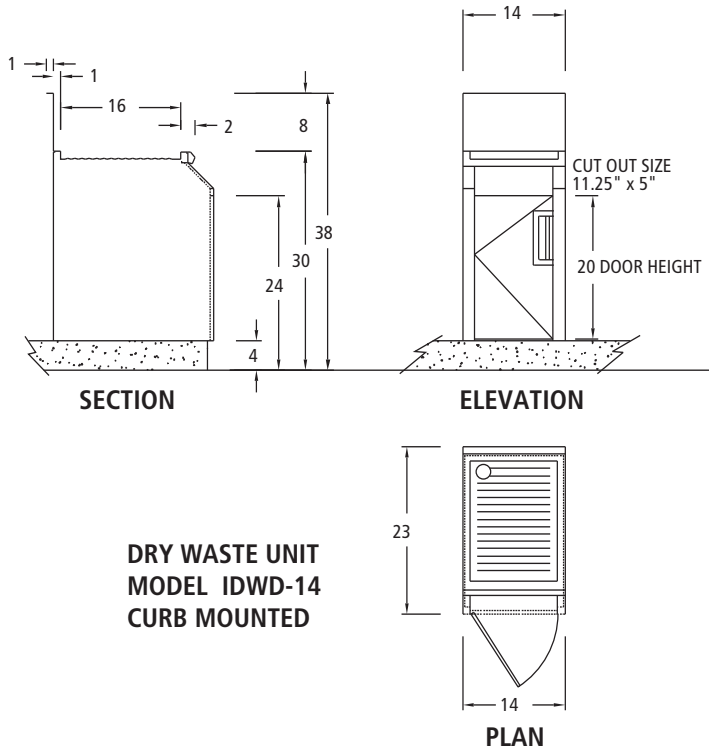
## OPTIONS

- CB Cabinet Base
- TC Plastic Trash Can
- SD Soap Dispenser
- RP Removable Panel
- M Modified - Custom
- SBF Special Brand Faucet Available Upon Request



# WASTE STATIONS

## MODULAR COMPONENTS



### WET/DRY WASTE UNIT

| 'S' SERIES 20.1/2" DEEP |                    |           |        |      |
|-------------------------|--------------------|-----------|--------|------|
| LENGTH                  | BOWL SIZE          | MODEL No. | WEIGHT | CUBE |
| 14"                     | 9" X 11" X 6" DEEP | IWSS-14   | 48     | 7    |
| 28"                     | 9" X 11" X 6" DEEP | IWSS-18   | 55     | 8    |

| 'D' SERIES 24" DEEP |                    |           |        |      |
|---------------------|--------------------|-----------|--------|------|
| LENGTH              | BOWL SIZE          | MODEL No. | WEIGHT | CUBE |
| 14"                 | 9" X 11" X 6" DEEP | IWSD-14   | 48     | 7    |
| 28"                 | 9" X 11" X 6" DEEP | IWSD-18   | 55     | 8    |

### DRY WASTE UNIT

| 'S' SERIES 20.1/2" DEEP |           |        |      |
|-------------------------|-----------|--------|------|
| LENGTH                  | MODEL NO. | WEIGHT | CUBE |
| 14"                     | IDWS-14   | 110    | 12   |
| 18"                     | IDWS-18   | 110    | 12   |
| 24"                     | IDWS-24   | 120    | 18   |

| 'D' SERIES 24" DEEP |           |        |      |
|---------------------|-----------|--------|------|
| LENGTH              | MODEL NO. | WEIGHT | CUBE |
| 14"                 | IDWD-14   | 110    | 12   |
| 18"                 | IDWD-18   | 110    | 12   |
| 24"                 | IDWD-24   | 120    | 18   |

| UTILITIES     |              |            |
|---------------|--------------|------------|
| COLD WATER    | HOT WATER    | DRAIN      |
| 1 x 1/2" COLD | 1 x 1/2" HOT | 1 x 1.1/2" |

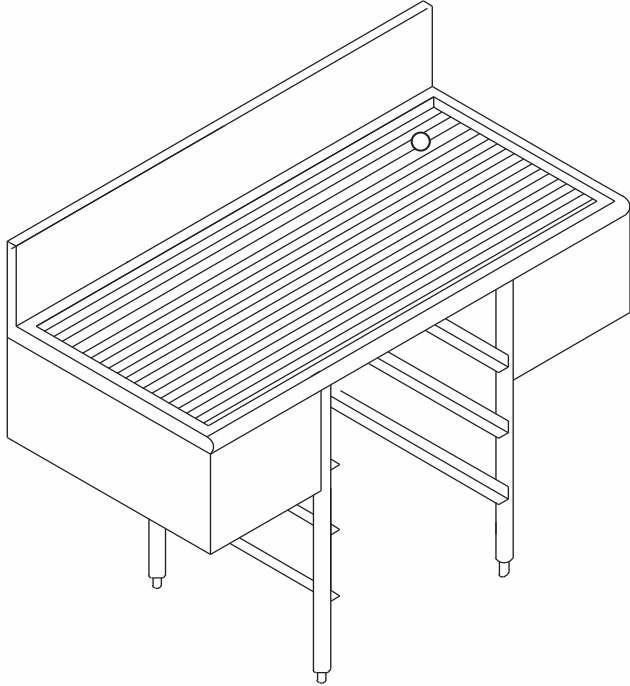


# GLASS RACK

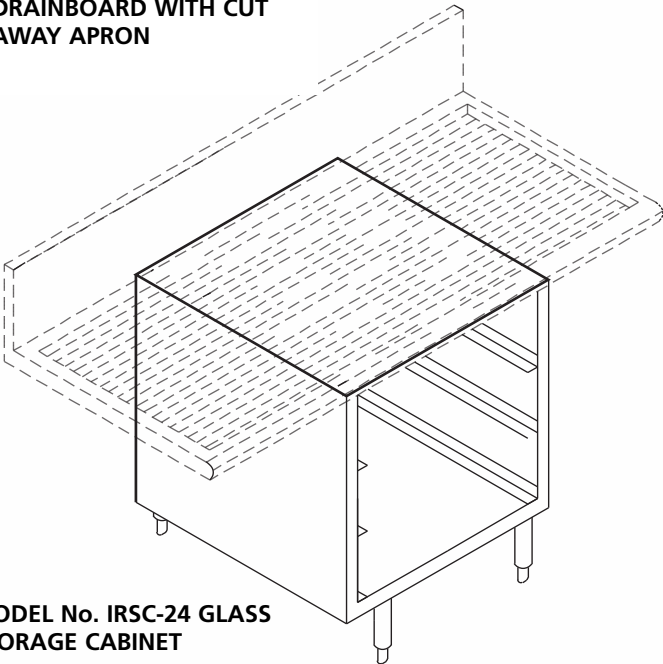
## MODULAR COMPONENTS

PROJECT \_\_\_\_\_

ITEM NO. \_\_\_\_\_



**MODEL No. IRSO-24 GLASS STORAGE RACK WITH MODEL No. IDBD.24 DRAINBOARD WITH CUT AWAY APRON**



**MODEL No. IRSC-24 GLASS STORAGE CABINET**



### STANDARD FEATURES

- All Heli-arc welded construction
- All 18 gauge type 304, 18/8 stainless steel
- Heavy duty stainless steel gussets welded to 14 gauge stainless steel channel supports
- Stainless steel adjustable bullet feet
- Rack tracks are easily removed for cleaning
- Glass rack slides are positioned for three racks high
- Cut away at designated location

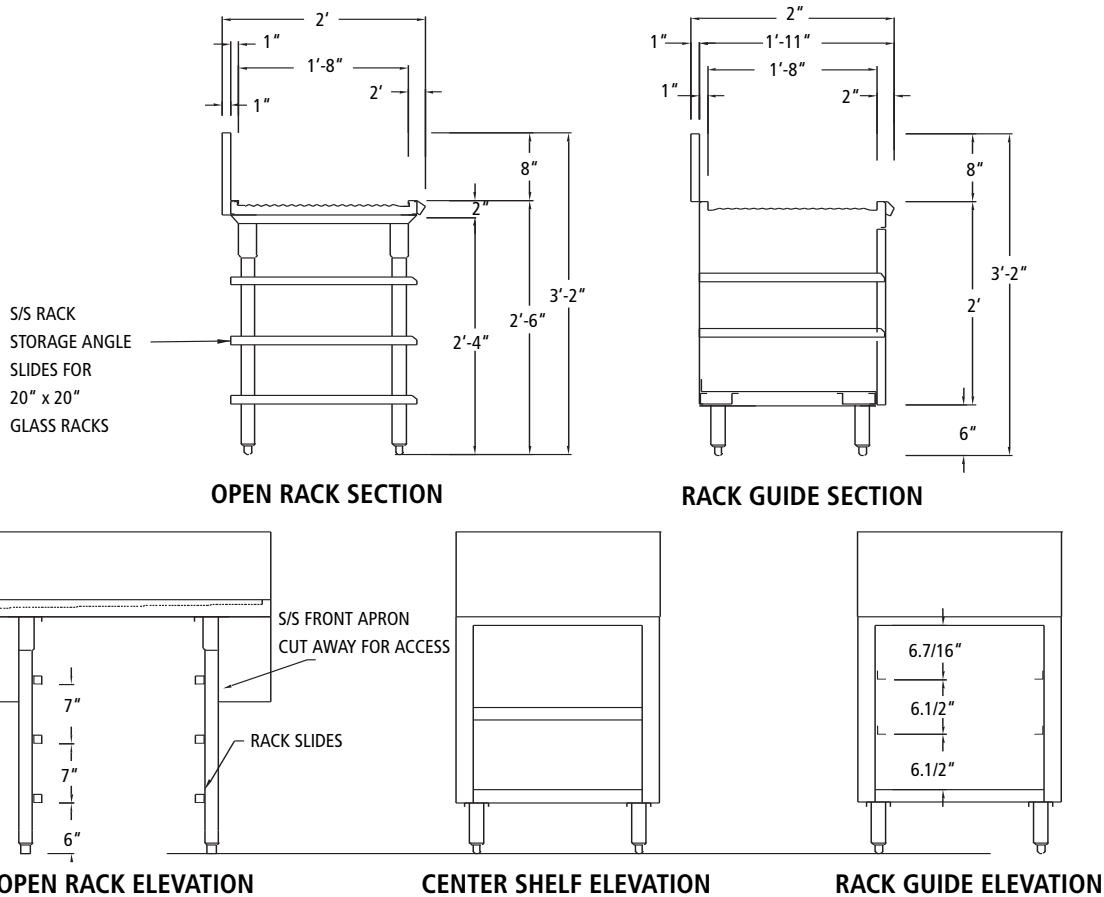
### MODELS

**'D' SERIES - 24" DEEP**

| <u>Length</u>                      | <u>Racks</u>         | <u>Model</u> |
|------------------------------------|----------------------|--------------|
| <input type="checkbox"/> 24" ..... | 3ea. 20" x 20" ..... | IRSO-24      |
| <input type="checkbox"/> 48" ..... | 6ea. 20" x 20" ..... | IRSO-48      |
| <input type="checkbox"/> 24" ..... | 3ea. 20" x 20" ..... | IRSC-24      |
| <input type="checkbox"/> 48" ..... | 6ea. 20" x 20" ..... | IRSC-48      |

### OPTIONS

- AS Adjustable intermediate shelf
- M Modified - Custom

**OPEN GLASS RACK 24" DEEP**

| LENGTH | RACK CAPACITY        | MODEL No. | WEIGHT | CUBE |
|--------|----------------------|-----------|--------|------|
| 24"    | 3ea. 20" X 20" RACKS | IRSO-24   | 18     | 20   |
| 48"    | 6ea. 20" X 20" RACKS | IRSO-48   | 24     | 45   |

**GLASS STORAGE CABINET 24" DEEP**

| LENGTH | RACK CAPACITY        | MODEL No. | WEIGHT | CUBE |
|--------|----------------------|-----------|--------|------|
| 24"    | 3ea. 20" X 20" RACKS | IRSC-24   | 120    | 20   |
| 48"    | 6ea. 20" X 20" RACKS | IRSC-48   | 240    | 45   |

**UTILITIES****DRAIN**

1 x 1"

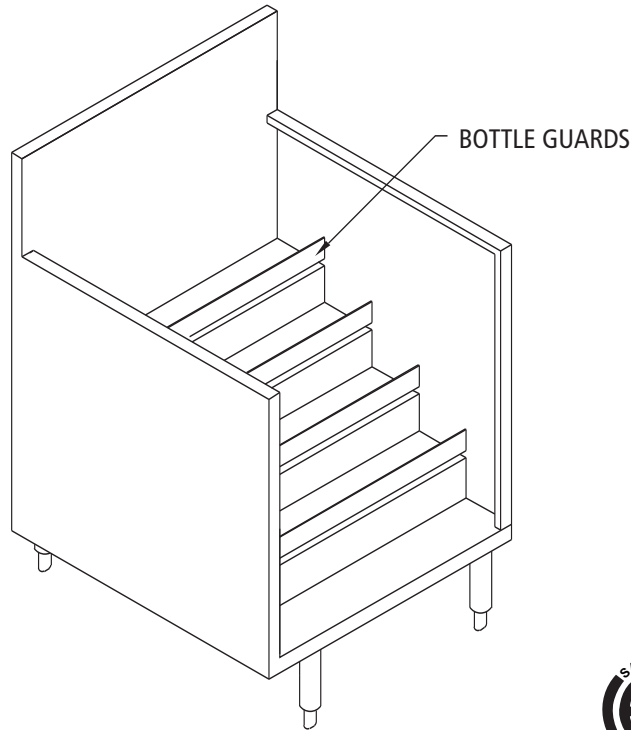


# LIQUOR DISPLAYS

## MODULAR COMPONENTS

PROJECT \_\_\_\_\_

ITEM NO. \_\_\_\_\_



MODEL ILDD-24



### STANDARD FEATURES

- All Heli-arc welded construction
- All 18 gauge type 304, 18/8 stainless steel
- Heavy duty stainless steel gussets welded to 14 gauge stainless steel channel supports
- Stainless steel adjustable bullet feet
- Liquor steps are easily cleaned

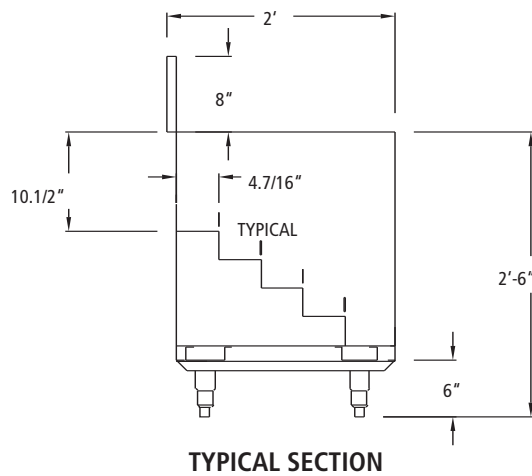
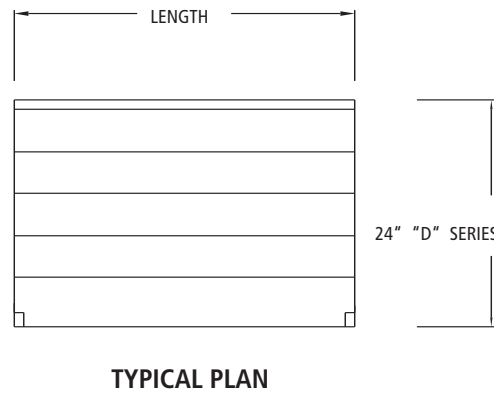
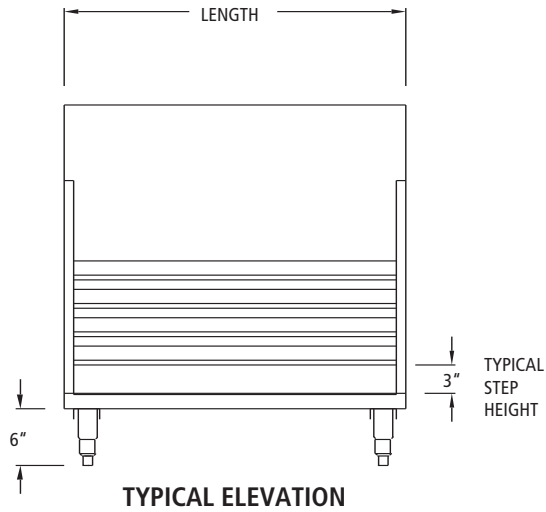
### MODELS

#### 'D' SERIES 24" DEEP

| <u>Length</u>                | <u>Bottle Capacity</u> | <u>Model</u> |
|------------------------------|------------------------|--------------|
| <input type="checkbox"/> 24" | .....30                | .....ILDD-24 |
| <input type="checkbox"/> 48" | .....60                | .....ILDD-48 |

### OPTIONS

- LC      Locking Cover
- M      Modified - Custom
- BG      Bottle Guards
- FT      Flat Top



| <b>'D' SERIES 24" DEEP</b> |                        |                  |               |             |
|----------------------------|------------------------|------------------|---------------|-------------|
| <b>LENGTH</b>              | <b>BOTTLE CAPACITY</b> | <b>MODEL No.</b> | <b>WEIGHT</b> | <b>CUBE</b> |
| 24"                        | 30                     | ILDD-24          | 115           | 18          |
| 48"                        | 60                     | ILDD-48          | 145           | 75          |

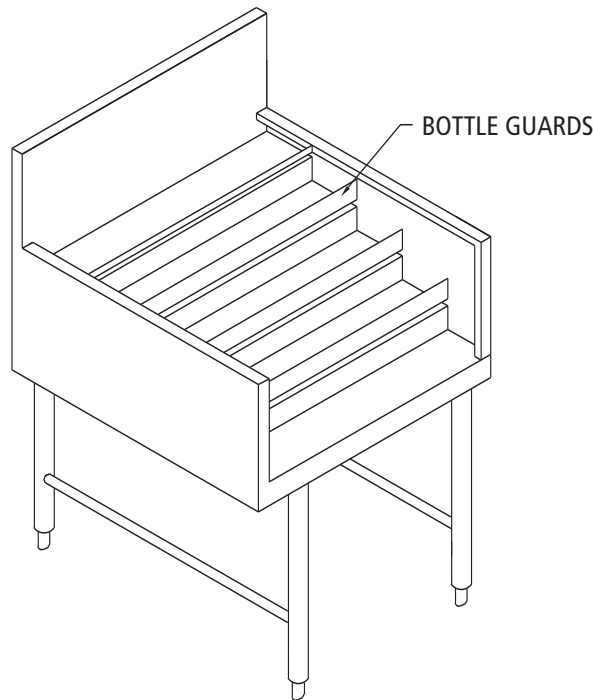


**LIQUOR DISPLAYS**

**MODULAR COMPONENTS**

PROJECT \_\_\_\_\_

ITEM NO. \_\_\_\_\_



MODEL ILTD-24



CONFORMS TO ANSI/NSF STD 2

**STANDARD FEATURES**

- All Heli-arc welded construction
- All 18 gauge type 304, 18/8 stainless steel
- Heavy duty stainless steel gussets welded to 14 gauge stainless steel channel supports
- Stainless steel adjustable bullet feet

**MODELS**

**'D' SERIES 24" DEEP**

| <u>Length</u>                | <u>Bottle Capacity</u> | <u>Model</u> |
|------------------------------|------------------------|--------------|
| <input type="checkbox"/> 18" | .....20 .....          | .....ILTD-18 |
| <input type="checkbox"/> 24" | .....30 .....          | .....ILTD-24 |
| <input type="checkbox"/> 30" | .....40.....           | .....ILTD-30 |

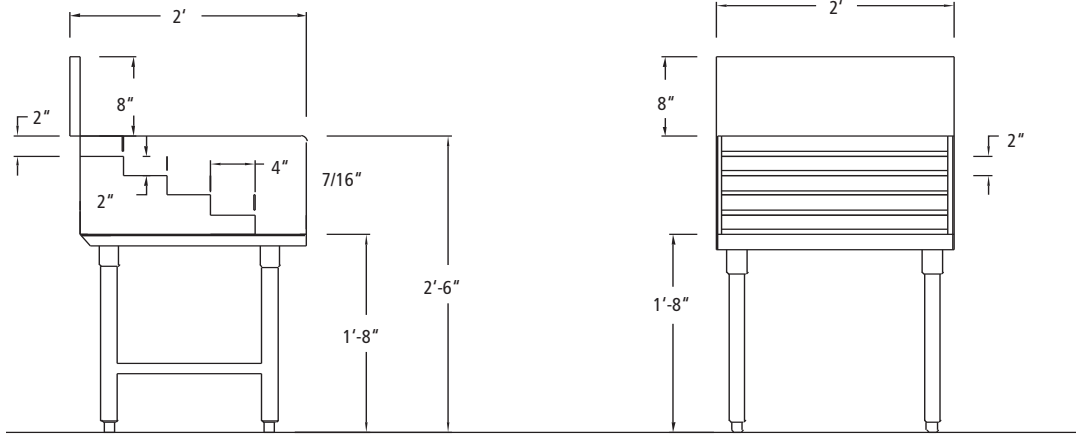
**OPTIONS**

- |                             |                   |
|-----------------------------|-------------------|
| <input type="checkbox"/> LC | Locking Cover     |
| <input type="checkbox"/> M  | Modified - Custom |
| <input type="checkbox"/> BG | Bottle Guards     |



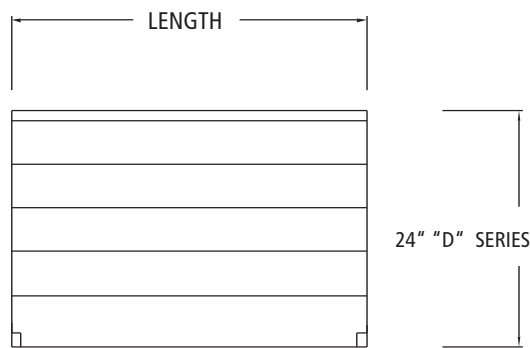
**LIQUOR DISPLAYS**

**MODULAR COMPONENTS**



TYPICAL SECTION

TYPICAL ELEVATION



TYPICAL PLAN

| <b>'D' SERIES 24" DEEP</b> |                        |                  |               |             |
|----------------------------|------------------------|------------------|---------------|-------------|
| <b>LENGTH</b>              | <b>BOTTLE CAPACITY</b> | <b>MODEL No.</b> | <b>WEIGHT</b> | <b>CUBE</b> |
| 18"                        | 20                     | ILTD-18          | 55            | 8           |
| 24"                        | 30                     | ILTD-24          | 75            | 11          |
| 30"                        | 35                     | ILTD-30          | 90            | 15          |



**I( ) - X - X - XX - X - M**  
**(1) (2) (3) (4) (5) (6)**

| POSITION (1) |           | POSITION (2)  | POSITION (3)                 |
|--------------|-----------|---|------------------------------|
| <u>Model</u> |           | <u># of Bowls</u>   | <u>Length</u>                |
| ISU          | SINK UNIT | 3 - THREE BOWL SINK UNIT<br>3.5 - THREE AND A HALF BOWL SINK UNIT<br>4 - BOWL SINK UNIT | D - D SERIES<br>S - S SERIES |

| POSITION (4)    | POSITION (5) | POSITION (6)        |
|-----------------|--------------|---------------------|
| <u>Length</u>   | OPTIONS      | M-CUSTOM / MODIFIED |
| 60 - 60" LONG   |              |                     |
| 66 - 66" LONG   |              |                     |
| 72 - 72" LONG   |              |                     |
| 84 - 84" LONG   |              |                     |
| 96 - 96" LONG   |              |                     |
| 108 - 108" LONG |              |                     |
| 120 - 120" LONG |              |                     |



# 3 BOWL SINK

## MODULAR COMPONENTS

PROJECT \_\_\_\_\_

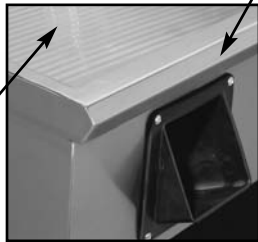
ITEM NO. \_\_\_\_\_



MODEL ISU3D-108 SHOWN WITH  
RTC - RUBBER TRASH CHUTE

ATTRACTIVE  
POLISHED  
BULLNOSE

CONTINUOUS  
CORRUGATED



## MODELS

### 'S' SERIES 20.1/2" DEEP WITH (3) - 10" x 14" x 10" BOWLS

| <u>Length</u>                       | <u>Model</u> |
|-------------------------------------|--------------|
| <input type="checkbox"/> 60" .....  | ISU3S-60     |
| <input type="checkbox"/> 66" .....  | ISU3S-66     |
| <input type="checkbox"/> 72" .....  | ISU3S-72     |
| <input type="checkbox"/> 84" .....  | ISU3S-84     |
| <input type="checkbox"/> 96" .....  | ISU3S-96     |
| <input type="checkbox"/> 108" ..... | ISU3S-108    |
| <input type="checkbox"/> 120" ..... | ISU3S-120    |

### 'D' SERIES 24" DEEP WITH 3 EACH 10" X 14" X 10" BOWLS

| <u>Length</u>                       | <u>Model</u> |
|-------------------------------------|--------------|
| <input type="checkbox"/> 60" .....  | ISU3D-60     |
| <input type="checkbox"/> 66" .....  | ISU3D-66     |
| <input type="checkbox"/> 72" .....  | ISU3D-72     |
| <input type="checkbox"/> 84" .....  | ISU3D-84     |
| <input type="checkbox"/> 96" .....  | ISU3D-96     |
| <input type="checkbox"/> 108" ..... | ISU3D-108    |
| <input type="checkbox"/> 120" ..... | ISU3D-120    |

## STANDARD FEATURES

- All Heli-arc welded construction
- All 18 gauge type 304, 18/8 stainless steel
- Heavy duty stainless steel gussets welded to 14 gauge stainless steel channel supports
- Stainless steel adjustable Bullet feet
- Attractive high polished bullnose edge to front
- Sink bowls are seamless to drainboards
- Sink bowls are 18 gauge type 304, 18/8 stainless steel
- Standard bowl size 10" x 14" x 10" deep with 1.1/2" drain and standpipe overflow
- Drainboards are continuous corrugation
- Drainboards have 4" wide 18 gauge type 304, 18/8 stainless steel support channels
- Drainboards pitch positively into bowls
- Deck mounted premium faucet with 12" swing spout

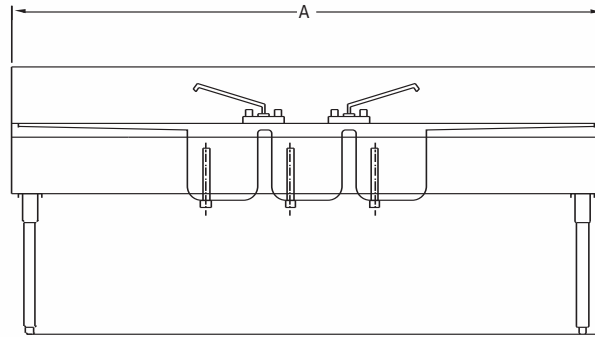
## OPTIONS

- TR Towel Rail
- RTC Rubber Trash Chute in Front Apron
- LS Lift Out Strainer Basket For Bowls
- CB Cabinet Base
- RS10 Rack Storage for 10 X 20 Racks
- RS20 Rack Storage for 20 X 20 Racks
- TC Plastic Trash Can
- USS Undershelf
- USD Undershelf 'D' Series
- CA Cut Away Apron for Trash Can
- RP Removable Panels
- M Modified - Custom
- SBF Special Brand Faucet Available Upon Request

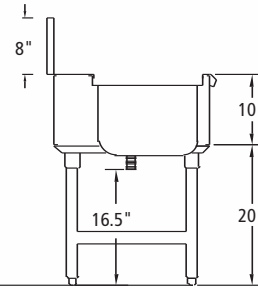


# 3 BOWL SINK

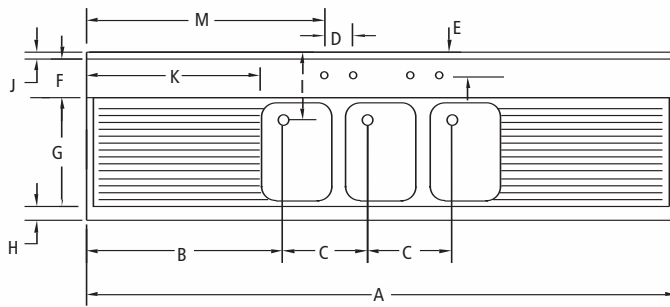
## MODULAR COMPONENTS



ELEVATION



SECTION



PLAN

FOR SINKS LOCATED AT FAR LEFT OR RIGHT PLACE AN "R" OR "L" AT THE END OF THE MODEL NUMBER

EXAMPLE: ISU3S - 8L (LEFT HAND BOWLS)

### 'S' SERIES 20.1/2" DEEP - 10" x 14" x 10" BOWLS

| MODEL No.   | A   | B       | C       | D  | E  | F  | G       | H  | I      | J  | K  | M  | WEIGHT | CUBE |
|-------------|-----|---------|---------|----|----|----|---------|----|--------|----|----|----|--------|------|
| ISU3S - 60  | 60  | 16.3/4" | 12.1/4" | 4" | 2" | 2" | 15.1/2" | 2" | 7.1/2" | 1" | 13 | 28 | 150    | 20   |
| ISU3S - 66  | 66  | 19.3/4" | 12.1/4" | 4" | 2" | 2" | 15.1/2" | 2" | 7.1/2" | 1" | 16 | 31 | 165    | 24   |
| ISU3S - 72  | 72  | 22.3/4" | 12.1/4" | 4" | 2" | 2" | 15.1/2" | 2" | 7.1/2" | 1" | 19 | 34 | 175    | 24   |
| ISU3S - 84  | 84  | 28.3/4" | 12.1/4" | 4" | 2" | 2" | 15.1/2" | 2" | 7.1/2" | 1" | 25 | 40 | 190    | 30   |
| ISU3S - 96  | 96  | 34.3/4" | 12.1/4" | 4" | 2" | 2" | 15.1/2" | 2" | 7.1/2" | 1" | 31 | 46 | 220    | 34   |
| ISU3S - 108 | 108 | 40.3/4" | 12.1/4" | 4" | 2" | 2" | 15.1/2" | 2" | 7.1/2" | 1" | 37 | 52 | 250    | 40   |
| ISU3S - 120 | 120 | 52.3/4" | 12.1/4" | 4" | 2" | 2" | 15.1/2" | 2" | 7.1/2" | 1" | 48 | 58 | 275    | 44   |

### 'D' SERIES 24" DEEP - 10" X 14" X 10" BOWLS

| MODEL No.   | A   | B       | C       | D  | E  | F  | G       | H  | I      | J  | K  | M  | WEIGHT | CUBE |
|-------------|-----|---------|---------|----|----|----|---------|----|--------|----|----|----|--------|------|
| ISU3D - 60  | 60  | 16.3/4" | 12.1/4" | 4" | 2" | 2" | 15.1/2" | 2" | 7.1/2" | 1" | 13 | 28 | 150    | 20   |
| ISU3D - 66  | 66  | 19.3/4" | 12.1/4" | 4" | 2" | 2" | 15.1/2" | 2" | 7.1/2" | 1" | 16 | 31 | 165    | 24   |
| ISU3D - 72  | 72  | 22.3/4" | 12.1/4" | 4" | 2" | 2" | 15.1/2" | 2" | 7.1/2" | 1" | 19 | 34 | 175    | 24   |
| ISU3D - 84  | 84  | 28.3/4" | 12.1/4" | 4" | 2" | 2" | 15.1/2" | 2" | 7.1/2" | 1" | 25 | 40 | 190    | 30   |
| ISU3D - 96  | 96  | 34.3/4" | 12.1/4" | 4" | 2" | 2" | 15.1/2" | 2" | 7.1/2" | 1" | 31 | 46 | 220    | 34   |
| ISU3D - 108 | 108 | 40.3/4" | 12.1/4" | 4" | 2" | 2" | 15.1/2" | 2" | 7.1/2" | 1" | 37 | 52 | 250    | 40   |
| ISU3D - 120 | 120 | 52.3/4" | 12.1/4" | 4" | 2" | 2" | 15.1/2" | 2" | 7.1/2" | 1" | 48 | 58 | 275    | 44   |

### UTILITIES

| COLD WATER    | HOT WATER    | DRAIN      |
|---------------|--------------|------------|
| 1 x 1/2" COLD | 1 x 1/2" HOT | 3 x 1.1/2" |



# 3.5 BOWL SINK

## MODULAR COMPONENTS

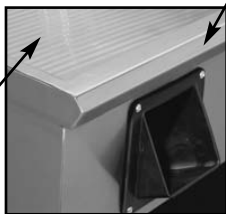
6" WIDE DUMP SINK PLACED ON LEFT  
UNLESS OTHERWISE SPECIFIED

PROJECT \_\_\_\_\_

ITEM NO. \_\_\_\_\_



ATTRACTIVE  
POLISHED  
BULLNOSE



CONTINUOUS  
CORRUGATED



MODEL ISU35D-96 SHOWN WITH RTC - RUBBER TRASH CHUTE & TR - TOWEL RAIL

## MODELS

'S' SERIES 20.1/2" DEEP WITH (3) - 10" x 14" x 10" AND (1) 6" x 14" x 10' BOWLS

| Length                        | Model       |
|-------------------------------|-------------|
| <input type="checkbox"/> 60"  | ISU3.5S-60  |
| <input type="checkbox"/> 66"  | ISU3.5S-66  |
| <input type="checkbox"/> 72"  | ISU3.5S-72  |
| <input type="checkbox"/> 84"  | ISU3.5S-84  |
| <input type="checkbox"/> 96"  | ISU3.5S-96  |
| <input type="checkbox"/> 108" | ISU3.5S-108 |
| <input type="checkbox"/> 120" | ISU3.5S-120 |

'D' SERIES 24" DEEP WITH 3 EACH 10" X 14" X 10" BOWLS

| Length                        | Model       |
|-------------------------------|-------------|
| <input type="checkbox"/> 60"  | ISU3.5D-60  |
| <input type="checkbox"/> 66"  | ISU3.5D-66  |
| <input type="checkbox"/> 72"  | ISU3.5D-72  |
| <input type="checkbox"/> 84"  | ISU3.5D-84  |
| <input type="checkbox"/> 96"  | ISU3.5D-96  |
| <input type="checkbox"/> 108" | ISU3.5D-108 |
| <input type="checkbox"/> 120" | ISU3.5D-120 |

## STANDARD FEATURES

- All Heli-arc welded construction
- All 18 gauge type 304, 18/8 stainless steel
- Heavy duty stainless steel gussets welded to 14 gauge stainless steel channel supports
- Stainless steel adjustable Bullet feet
- Attractive high polished bullnose edge to front
- Sink bowls are seamless to drainboards
- Sink bowls are 18 gauge type 304, 18/8 stainless steel
- Standard bowl size 10" x 14" x 10" deep with 1.1/2" drain and standpipe overflow
- Drainboards are continuous corrugation
- Drainboards have 4" wide 18 gauge type 304, 18/8 stainless steel support channels
- Drainboards pitch positively into bowls
- 2 Deck mounted premium faucet with two 12" swing spouts

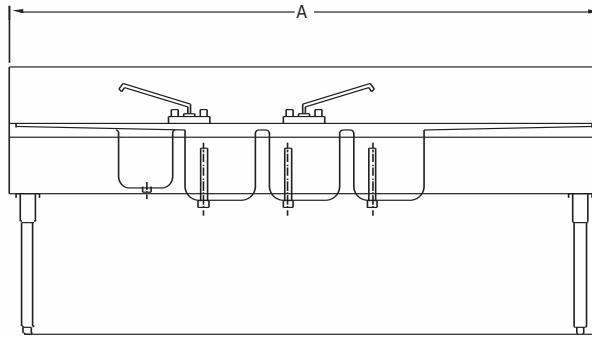
## OPTIONS

- TR Towel Rail
- RTC Rubber Trash Chute in Front Apron
- LS Lift Out Strainer Basket For Bowls
- CB Cabinet Base
- RS10 Rack Storage for 10 X 20 Racks
- RS20 Rack Storage for 20 X 20 Racks
- TC Plastic Trash Can
- USS Undershelf
- USD Undershelf 'D' Series
- CA Cut Away Apron for Trash Can
- RP Removable Panels
- M Modified - Custom
- SBF Special Brand Faucet Available Upon Request

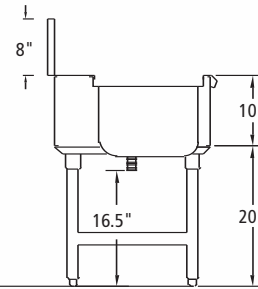


# 3.5 BOWL SINK

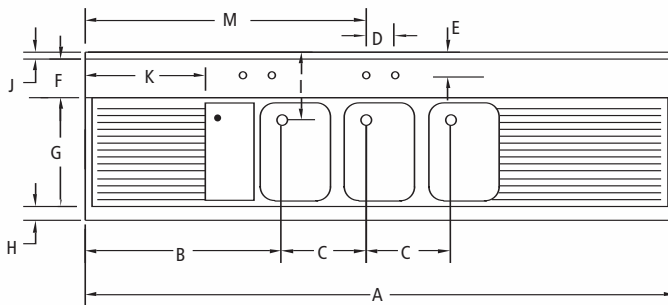
## MODULAR COMPONENTS



ELEVATION



SECTION



PLAN

FOR SINKS LOCATED AT FAR LEFT OR RIGHT PLACE AN "R" OR "L" AT THE END OF THE MODEL NUMBER

EXAMPLE: ISU35D - 8L (LEFT HAND BOWLS)

### 'S' SERIES 20.1/2" DEEP WITH (3) - 10" X 14" X 10" AND (1) 6" X 14" X 10' BOWLS

| MODEL No.     | A   | B       | C       | D  | E  | F  | G       | H  | I      | J  | K  | M  | O   | WEIGHT | CUBE |
|---------------|-----|---------|---------|----|----|----|---------|----|--------|----|----|----|-----|--------|------|
| ISU3.5S - 60  | 60  | 10.3/4" | 12.1/4" | 4" | 2" | 2" | 15.1/2" | 2" | 7.1/2" | 1" | 7  | 16 | 20" | 150    | 20   |
| ISU3.5S - 66  | 66  | 13.3/4" | 12.1/4" | 4" | 2" | 2" | 15.1/2" | 2" | 7.1/2" | 1" | 10 | 19 | 20" | 165    | 24   |
| ISU3.5S - 72  | 72  | 16.3/4" | 12.1/4" | 4" | 2" | 2" | 15.1/2" | 2" | 7.1/2" | 1" | 13 | 22 | 20" | 175    | 24   |
| ISU3.5S - 84  | 84  | 22.3/4" | 12.1/4" | 4" | 2" | 2" | 15.1/2" | 2" | 7.1/2" | 1" | 19 | 28 | 20" | 190    | 30   |
| ISU3.5S - 96  | 96  | 28.3/4" | 12.1/4" | 4" | 2" | 2" | 15.1/2" | 2" | 7.1/2" | 1" | 25 | 34 | 20" | 220    | 34   |
| ISU3.5S - 108 | 108 | 34.3/4" | 12.1/4" | 4" | 2" | 2" | 15.1/2" | 2" | 7.1/2" | 1" | 31 | 40 | 20" | 250    | 40   |
| ISU3.5S - 120 | 120 | 40.3/4" | 12.1/4" | 4" | 2" | 2" | 15.1/2" | 2" | 7.1/2" | 1" | 37 | 46 | 20" | 275    | 44   |

### 'D' SERIES 24" DEEP WITH 3 EACH - 10" X 14" X 10" BOWLS

| MODEL No.     | A   | B  | C       | D  | E      | F      | G       | H  | I   | J  | K  | M  | N      | O   | WEIGHT | CUBE |
|---------------|-----|----|---------|----|--------|--------|---------|----|-----|----|----|----|--------|-----|--------|------|
| ISU3.5D - 60  | 60  | 12 | 12.1/4" | 4" | 4.1/2" | 5.1/2" | 15.1/2" | 2" | 11" | 1" | 9  | 10 | 8.3/4" | 20" | 150    | 20   |
| ISU3.5D - 66  | 66  | 15 | 12.1/4" | 4" | 4.1/2" | 5.1/2" | 15.1/2" | 2" | 11" | 1" | 12 | 13 | 8.3/4" | 20" | 165    | 24   |
| ISU3.5D - 72  | 72  | 18 | 12.1/4" | 4" | 4.1/2" | 5.1/2" | 15.1/2" | 2" | 11" | 1" | 15 | 16 | 8.3/4" | 20" | 175    | 24   |
| ISU3.5D - 84  | 84  | 24 | 12.1/4" | 4" | 4.1/2" | 5.1/2" | 15.1/2" | 2" | 11" | 1" | 21 | 22 | 8.3/4" | 20" | 190    | 30   |
| ISU3.5D - 96  | 96  | 30 | 12.1/4" | 4" | 4.1/2" | 5.1/2" | 15.1/2" | 2" | 11" | 1" | 27 | 28 | 8.3/4" | 20" | 220    | 34   |
| ISU3.5D - 108 | 108 | 36 | 12.1/4" | 4" | 4.1/2" | 5.1/2" | 15.1/2" | 2" | 11" | 1" | 33 | 34 | 8.3/4" | 20" | 250    | 40   |
| ISU3.5D - 120 | 120 | 48 | 12.1/4" | 4" | 4.1/2" | 5.1/2" | 15.1/2" | 2" | 11" | 1" | 39 | 40 | 8.3/4" | 20" | 275    | 44   |

### UTILITIES

| COLD WATER    | HOT WATER    | DRAIN      |
|---------------|--------------|------------|
| 2 x 1/2" COLD | 2 x 1/2" HOT | 4 x 1.1/2" |



# 4 BOWL SINK

## MODULAR COMPONENTS

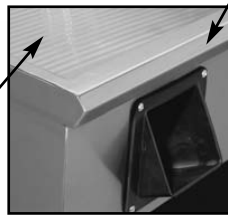
PROJECT \_\_\_\_\_

ITEM NO. \_\_\_\_\_



**Model ISU4D-108 SHOWN  
WITH 2 RTC - RUBBER TRASH CHUTES**

ATTRACTIVE  
POLISHED  
BULLNOSE



CONTINUOUS  
CORRUGATED



## MODELS

### 'S' SERIES 18.1/2" DEEP WITH (4) - 10" X 14" X 10" BOWLS

| Length                        | Model     |
|-------------------------------|-----------|
| <input type="checkbox"/> 60"  | ISU4S-60  |
| <input type="checkbox"/> 66"  | ISU4S-66  |
| <input type="checkbox"/> 72"  | ISU4S-72  |
| <input type="checkbox"/> 84"  | ISU4S-84  |
| <input type="checkbox"/> 96"  | ISU4S-96  |
| <input type="checkbox"/> 108" | ISU4S-108 |
| <input type="checkbox"/> 120" | ISU4S-120 |

### 'D' SERIES 24" DEEP WITH (4) - 10" X 14" X 10" BOWLS

| Length                        | Model     |
|-------------------------------|-----------|
| <input type="checkbox"/> 60"  | ISU4D-60  |
| <input type="checkbox"/> 66"  | ISU4D-66  |
| <input type="checkbox"/> 72"  | ISU4D-72  |
| <input type="checkbox"/> 84"  | ISU4D-84  |
| <input type="checkbox"/> 96"  | ISU4D-96  |
| <input type="checkbox"/> 108" | ISU4D-108 |
| <input type="checkbox"/> 120" | ISU4D-120 |

## STANDARD FEATURES

- All Heli-arc welded construction
- All 18 gauge type 304, 18/8 stainless steel
- Heavy duty stainless steel gussets welded to 14 gauge stainless steel channel supports
- Stainless steel adjustable bullet feet
- Attractive high polished bullnose edge to front
- Sink bowls are seamless to drainboards
- Sink bowls are deep drawn 20 gauge type 304, 18/8 stainless steel
- Standard bowl size 10" x 14" x 10" deep with 1.1/2" drain and standpipe overflow
- Drainboards are continuous corrugation
- Drainboards have 4" wide 18 gauge type 304, 18/8 stainless steel support channels
- Drainboards pitch positively into bowls
- 2 Deck mounted premium faucets with two 12" swing spouts

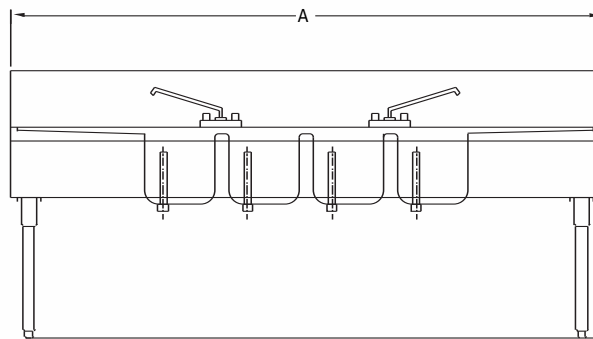
## OPTIONS

- TR Towel Rail
- RTC Rubber Trash Chute in Front Apron
- LS Lift Out Strainer Basket For Bowls
- CB Cabinet Base
- RS10 Rack Storage for 10 X 20 Racks
- RS20 Rack Storage for 20 X 20 Racks
- TC Plastic Trash Can
- USS Undershef
- CA Cut Away Apron for Trash Can
- RP Removable Panels
- M Modified - Custom
- SBF Special Brand Faucet Available Upon Request

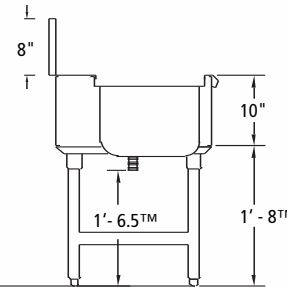


# 4 BOWL SINK

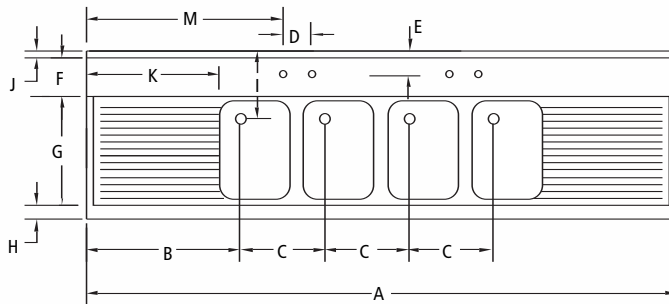
## MODULAR COMPONENTS



ELEVATION



SECTION



PLAN

FOR SINKS LOCATED AT FAR LEFT OR RIGHT PLACE AN "R" OR "L" AT THE END OF THE MODEL NUMBER

EXAMPLE: ISU4D - 8L (LEFT HAND BOWLS)

### 'S' SERIES 18.1/2" DEEP WITH (4) - 10" X 14" X 10" BOWLS

| MODEL No.   | A   | B       | C       | D  | E  | F  | G       | H  | I      | J  | K  | M  | O   | WEIGHT | CUBE |
|-------------|-----|---------|---------|----|----|----|---------|----|--------|----|----|----|-----|--------|------|
| ISU4S - 60  | 60  | 10.3/4" | 12.1/4" | 4" | 2" | 2" | 15.1/2" | 2" | 7.1/2" | 1" | 7  | 16 | 20" | 150    | 20   |
| ISU4S - 66  | 66  | 13.3/4" | 12.1/4" | 4" | 2" | 2" | 15.1/2" | 2" | 7.1/2" | 1" | 10 | 19 | 20" | 165    | 24   |
| ISU4S - 72  | 72  | 16.3/4" | 12.1/4" | 4" | 2" | 2" | 15.1/2" | 2" | 7.1/2" | 1" | 13 | 22 | 20" | 175    | 24   |
| ISU4S - 84  | 84  | 22.3/4" | 12.1/4" | 4" | 2" | 2" | 15.1/2" | 2" | 7.1/2" | 1" | 19 | 28 | 20" | 190    | 30   |
| ISU4S - 96  | 96  | 28.3/4" | 12.1/4" | 4" | 2" | 2" | 15.1/2" | 2" | 7.1/2" | 1" | 25 | 34 | 20" | 220    | 34   |
| ISU4S - 108 | 108 | 34.3/4" | 12.1/4" | 4" | 2" | 2" | 15.1/2" | 2" | 7.1/2" | 1" | 31 | 40 | 20" | 250    | 40   |
| ISU4S - 120 | 120 | 40.3/4" | 12.1/4" | 4" | 2" | 2" | 15.1/2" | 2" | 7.1/2" | 1" | 37 | 46 | 20" | 275    | 44   |

### 'D' SERIES 24" DEEP WITH (4) - 10" X 14" X 10" BOWLS

| MODEL No.   | A   | B       | C       | D  | E      | F      | G       | H  | I   | J  | K  | M  | O   | WEIGHT | CUBE |
|-------------|-----|---------|---------|----|--------|--------|---------|----|-----|----|----|----|-----|--------|------|
| ISU4D - 60  | 60  | 10.3/4" | 12.1/4" | 4" | 4.1/2" | 5.1/2" | 15.1/2" | 2" | 11" | 1" | 7  | 16 | 20" | 150    | 20   |
| ISU4D - 66  | 66  | 13.3/4" | 12.1/4" | 4" | 4.1/2" | 5.1/2" | 15.1/2" | 2" | 11" | 1" | 10 | 19 | 20" | 165    | 24   |
| ISU4D - 72  | 72  | 16.3/4" | 12.1/4" | 4" | 4.1/2" | 5.1/2" | 15.1/2" | 2" | 11" | 1" | 13 | 22 | 20" | 175    | 24   |
| ISU4D - 84  | 84  | 22.3/4" | 12.1/4" | 4" | 4.1/2" | 5.1/2" | 15.1/2" | 2" | 11" | 1" | 19 | 28 | 20" | 190    | 30   |
| ISU4D - 96  | 96  | 28.3/4" | 12.1/4" | 4" | 4.1/2" | 5.1/2" | 15.1/2" | 2" | 11" | 1" | 25 | 34 | 20" | 220    | 34   |
| ISU4D - 108 | 108 | 34.3/4" | 12.1/4" | 4" | 4.1/2" | 5.1/2" | 15.1/2" | 2" | 11" | 1" | 31 | 40 | 20" | 250    | 40   |
| ISU4D - 120 | 120 | 40.3/4" | 12.1/4" | 4" | 4.1/2" | 5.1/2" | 15.1/2" | 2" | 11" | 1" | 37 | 46 | 20" | 275    | 44   |

### UTILITIES

| COLD WATER    | HOT WATER    | DRAIN      |
|---------------|--------------|------------|
| 2 x 1/2" COLD | 2 x 1/2" HOT | 4 x 1.1/2" |



# SINGLE SINK

## MODULAR COMPONENTS

PROJECT \_\_\_\_\_

ITEM NO. \_\_\_\_\_



MODEL ISBD-13



### STANDARD FEATURES

- All Heli-arc welded construction
- All 18 gauge type 304, 18/8 stainless steel
- Heavy duty stainless steel gussets welded to 14 gauge stainless steel channel supports
- Stainless steel adjustable bullet feet
- Attractive high polished bullnose edge to front
- Sink bowls are 18 gauge type 304, 18/8 stainless steel
- Standard bowl size 10" x 14" x 10" deep with 1.1/2" drain
- Premium faucet with gooseneck spout - deck mounted
- 10" front apron

### MODELS

#### 'S' SERIES 20.1/2" DEEP WITH 10" X 14" X 10" BOWL

| <u>Length</u>                      | <u>Model</u> |
|------------------------------------|--------------|
| <input type="checkbox"/> 13" ..... | ISBS-13      |

#### 'D' SERIES 24" DEEP WITH 10" X 14" X 10" BOWL

| <u>Length</u>                      | <u>Model</u> |
|------------------------------------|--------------|
| <input type="checkbox"/> 13" ..... | ISBD-13      |

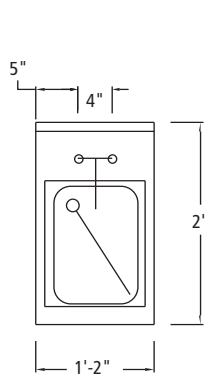
### OPTIONS

- TR Towel Rail
- LS Lift Out Strainer Basket for Bowl
- MD Ice Melt Down Spray Faucet
- SD Soap Dispenser
- US Undershef
- M Modified - Custom
- SBF Special Brand Faucet Available Upon Request

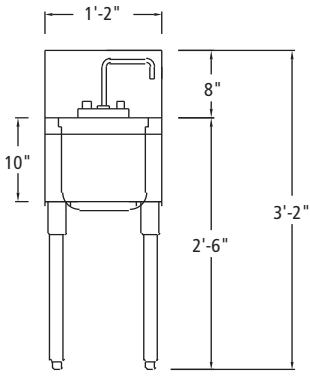


# SINGLE SINK

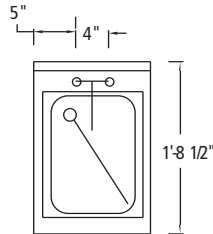
## MODULAR COMPONENTS



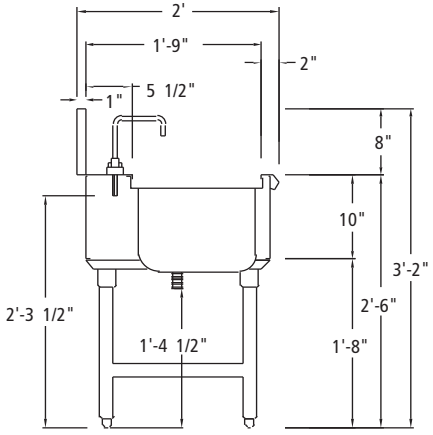
"D" SERIES PLAN



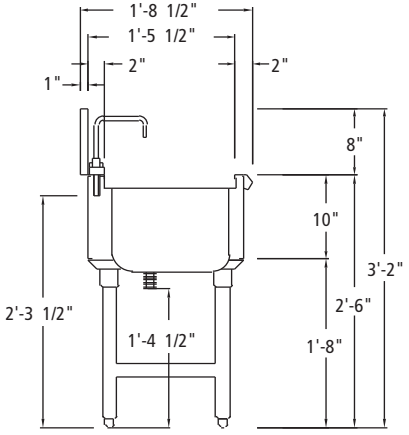
ELEVATION



"S" SERIES PLAN



"D" SERIES SECTION



"S" SERIES SECTION

| 'S' SERIES 20.1/2" DEEP |                      |           |        |      |
|-------------------------|----------------------|-----------|--------|------|
| LENGTH                  | BOWL SIZE            | MODEL No. | WEIGHT | CUBE |
| 13"                     | 10" X 14" X 10" DEEP | ISBS-13   | 50     | 5    |

| 'D' SERIES 24" DEEP |                      |           |        |      |
|---------------------|----------------------|-----------|--------|------|
| LENGTH              | BOWL SIZE            | MODEL No. | WEIGHT | CUBE |
| 13"                 | 10" X 14" X 10" DEEP | ISBD-13   | 50     | 5    |

| UTILITIES     |              |            |
|---------------|--------------|------------|
| COLD WATER    | HOT WATER    | DRAIN      |
| 1 x 1/2" COLD | 1 x 1/2" HOT | 1 x 1.1/2" |